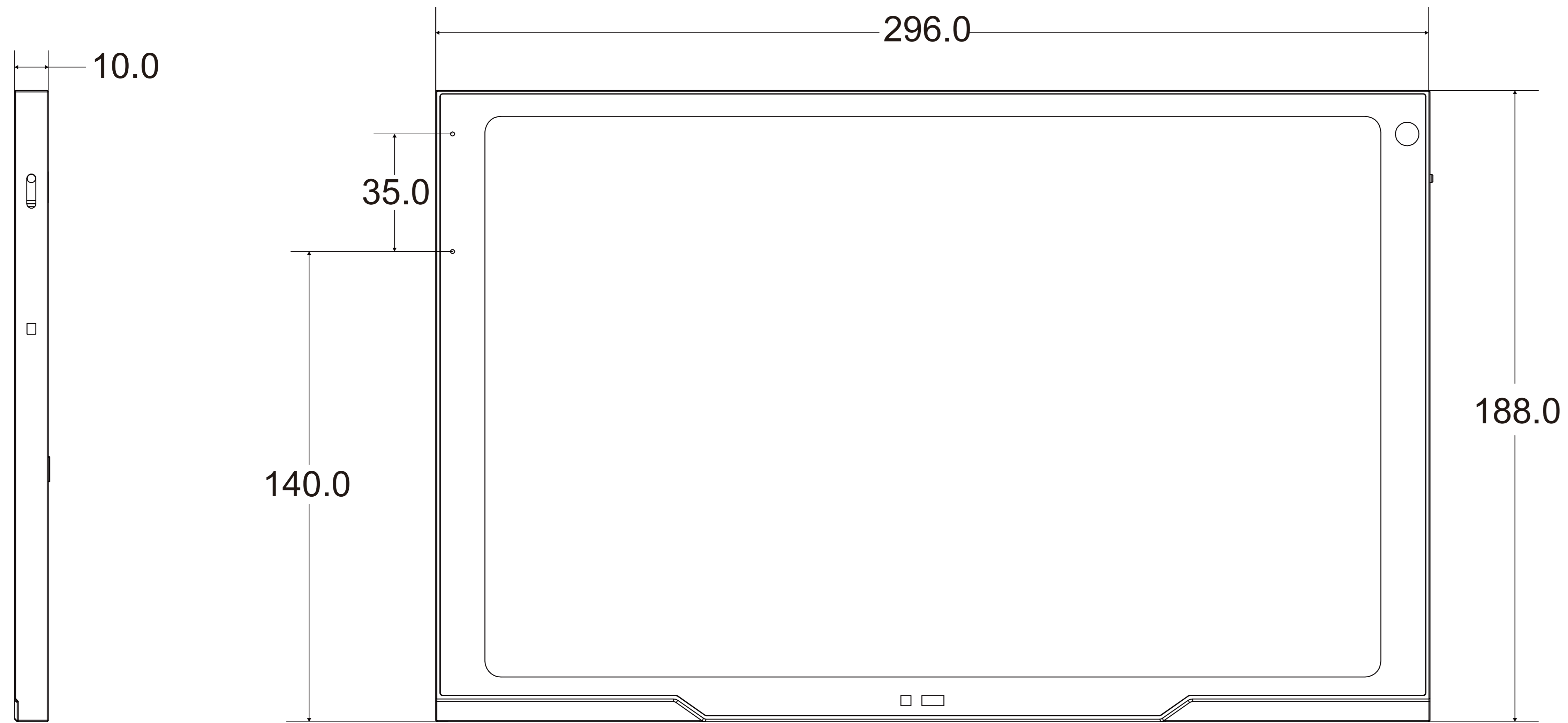




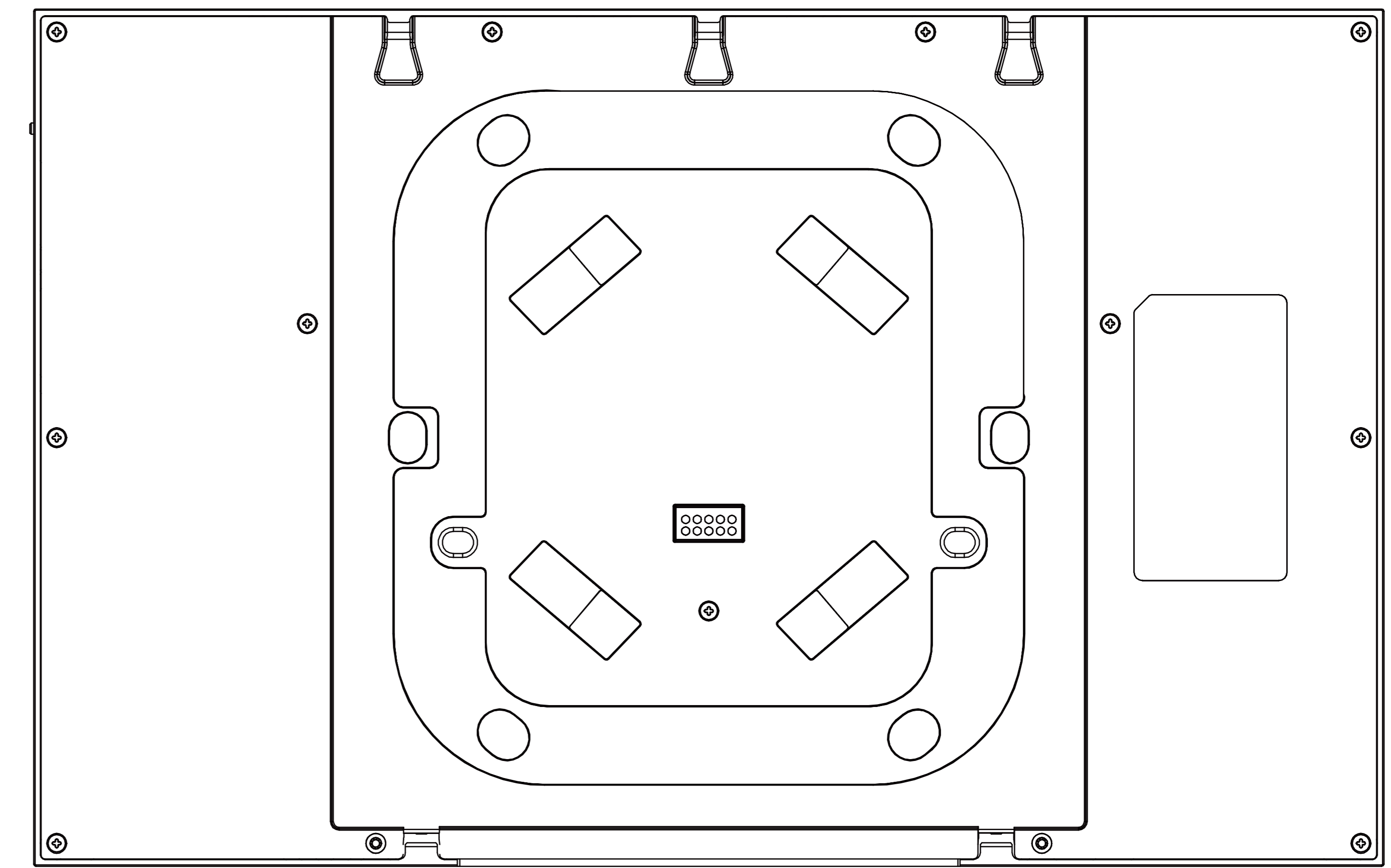
5 **BOTTOM VIEW**



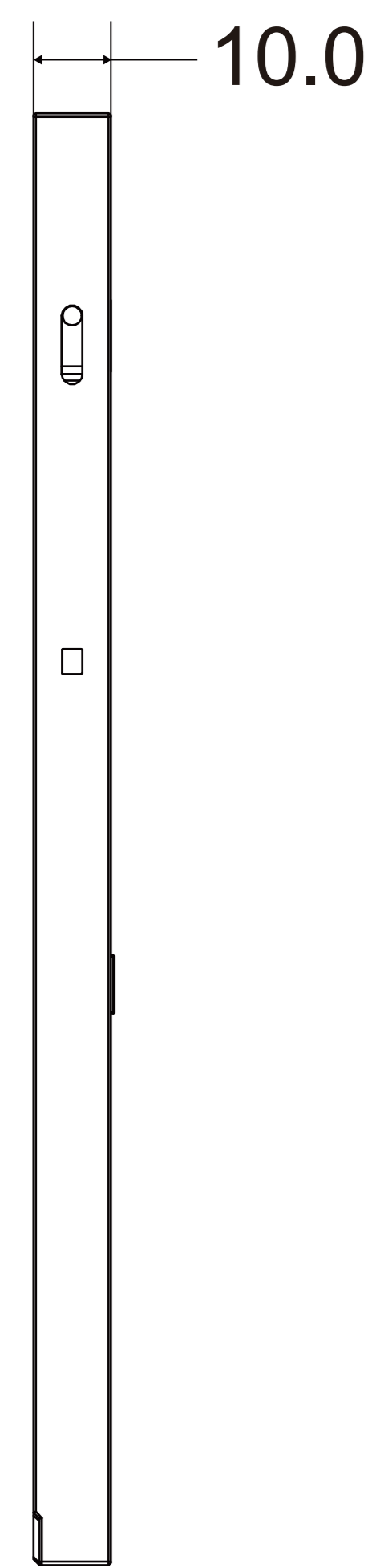
1 **FRONT VIEW**



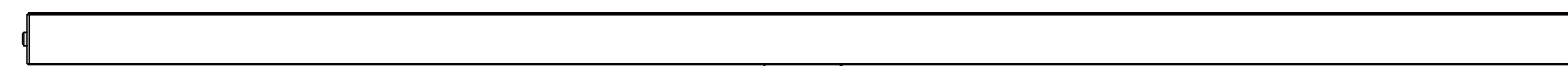
3 **LEFT VIEW**



4 **BACK VIEW**



2 **RIGHT VIEW**



6 **TOP VIEW**

Applicable Model

HyPanel Supreme
PHX1-ST

Drawing Title

Home Control Center
Panel

Drawing Unit

mm

Drawing Scale

Not to scale

**DRAFT
CHANGE TO
SUBJECT**

Last Revised

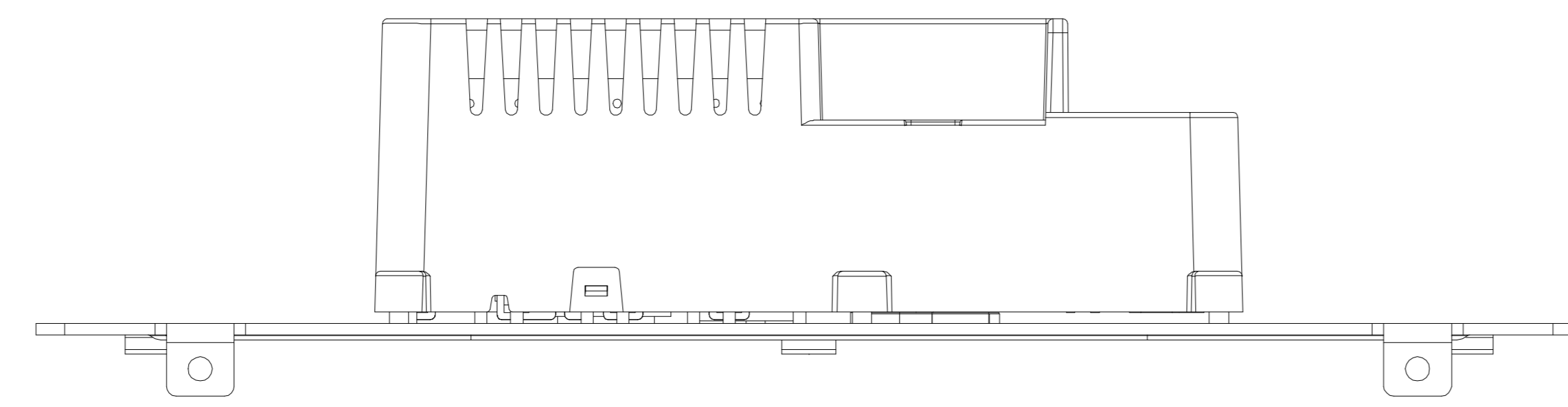
Nov.22,2023

Drawing Version

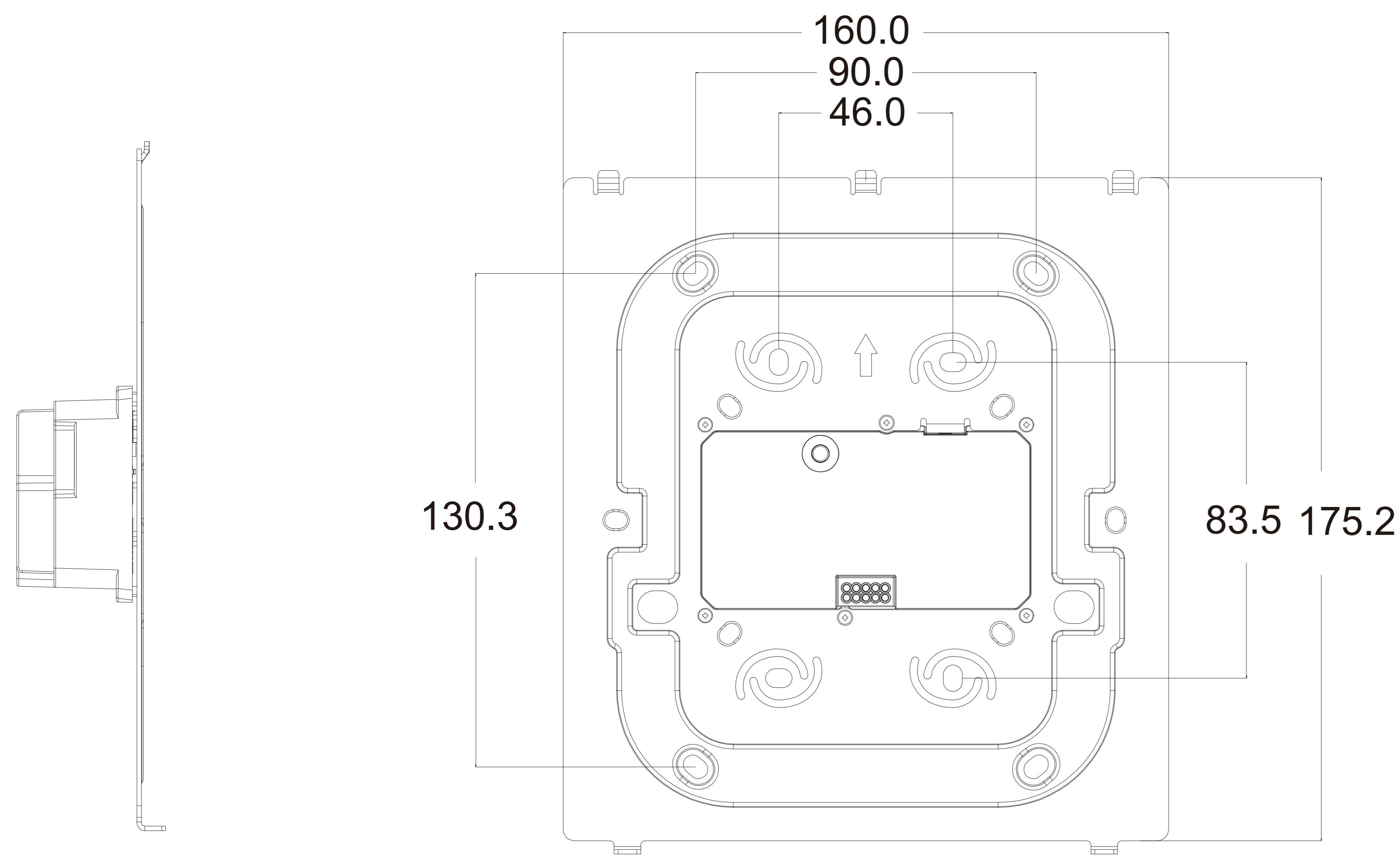
V1.0

Page

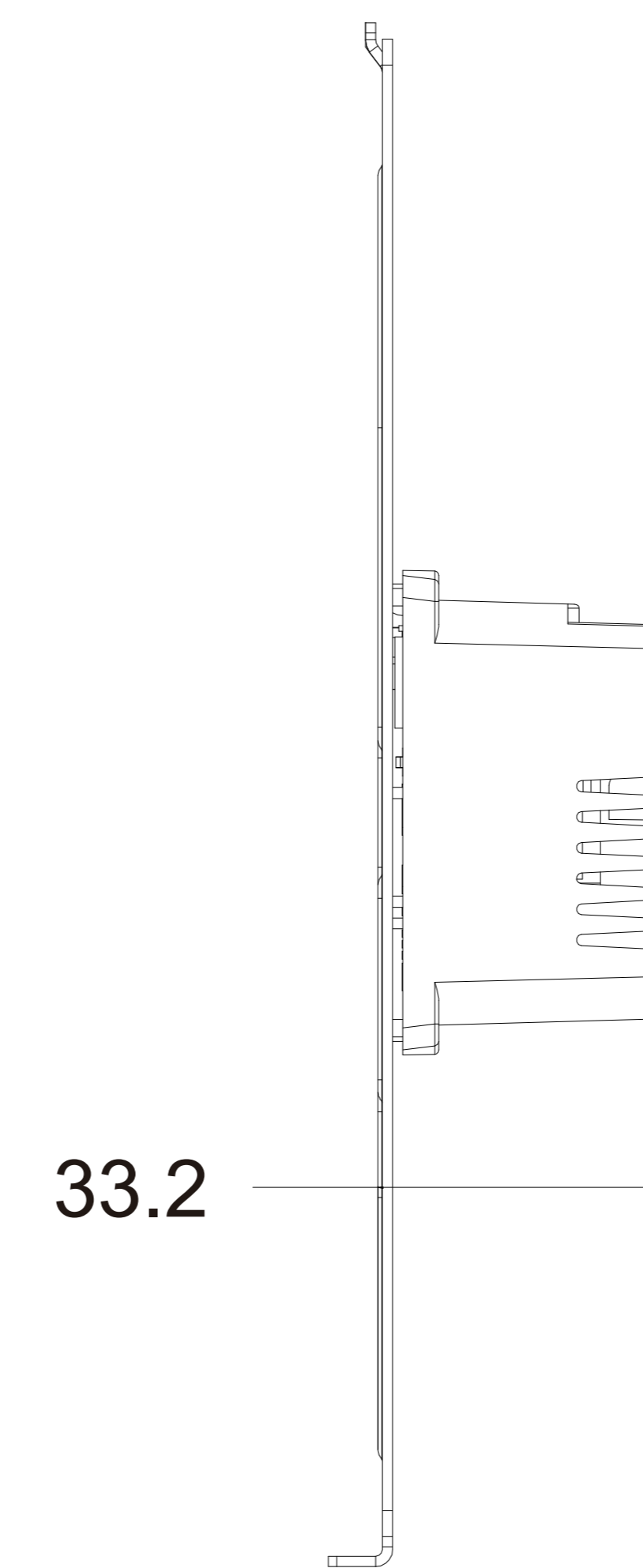
2 of 3



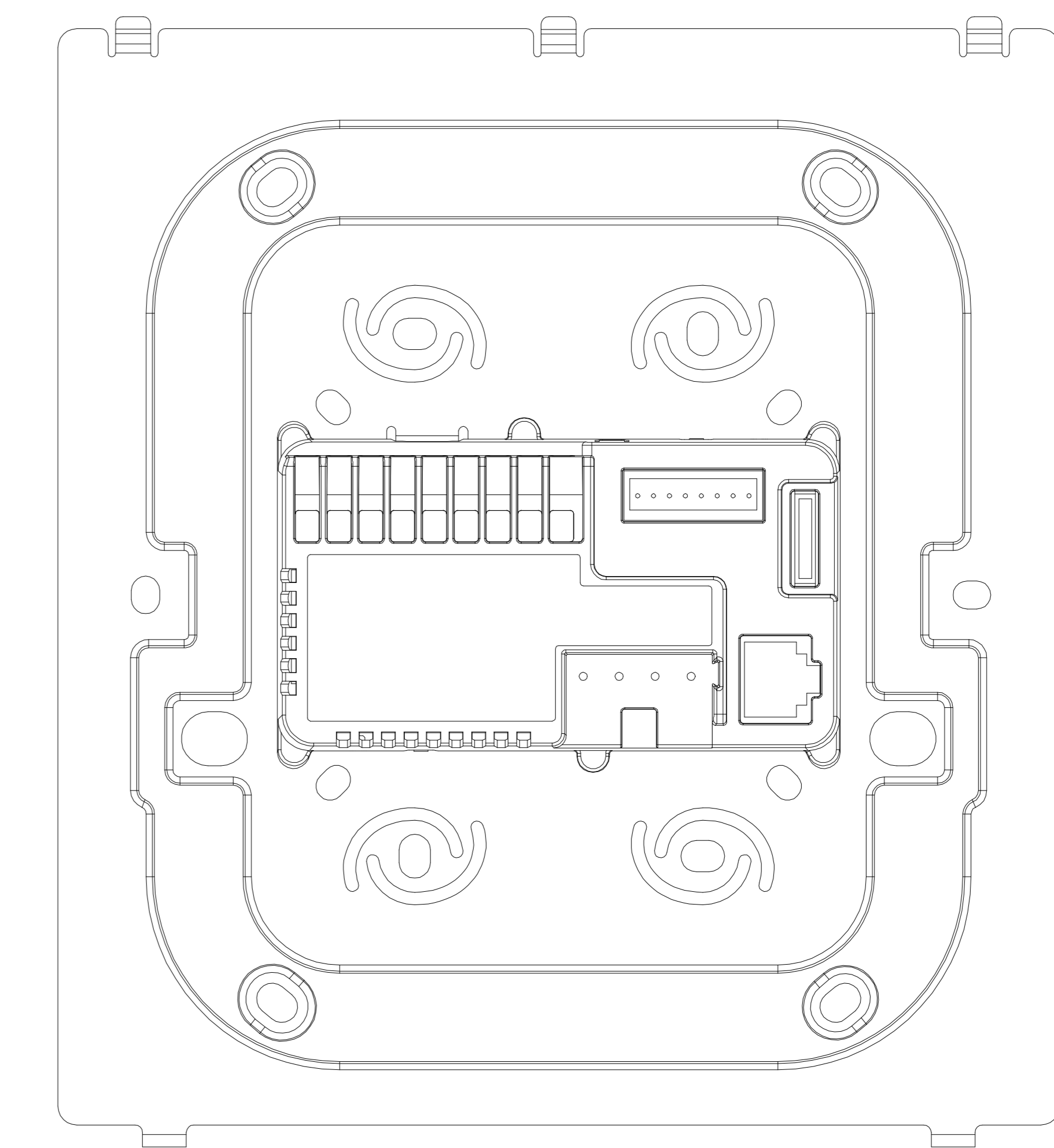
5 **BOTTOM VIEW**



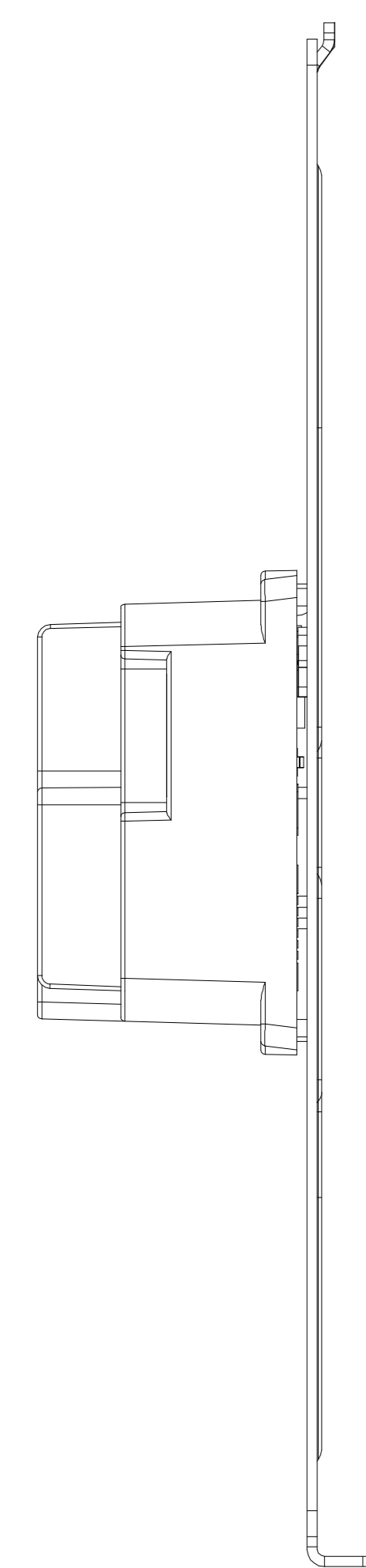
1 **FRONT VIEW**



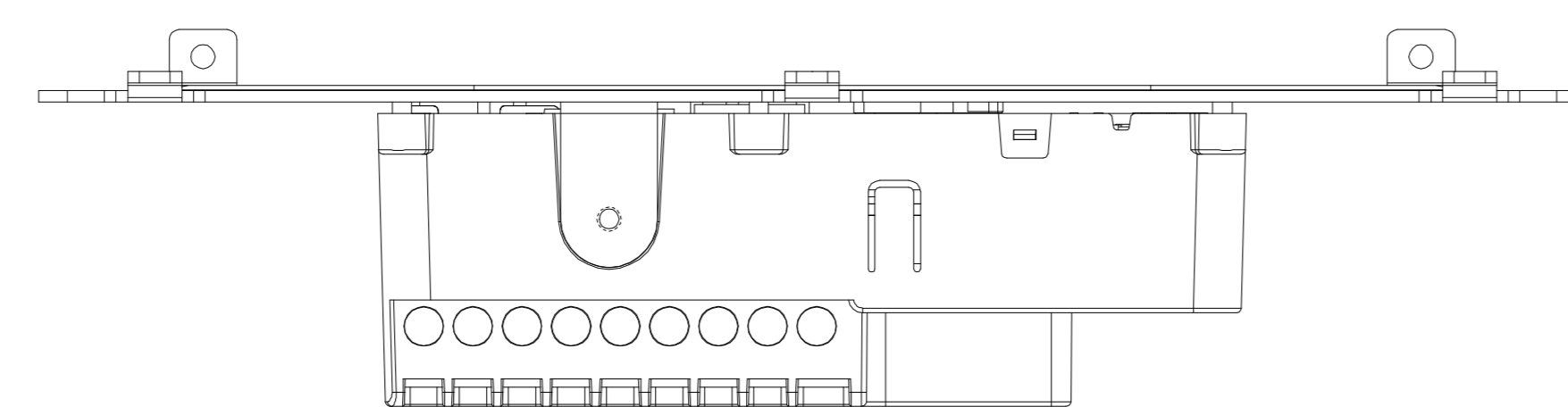
2 **RIGHT VIEW**



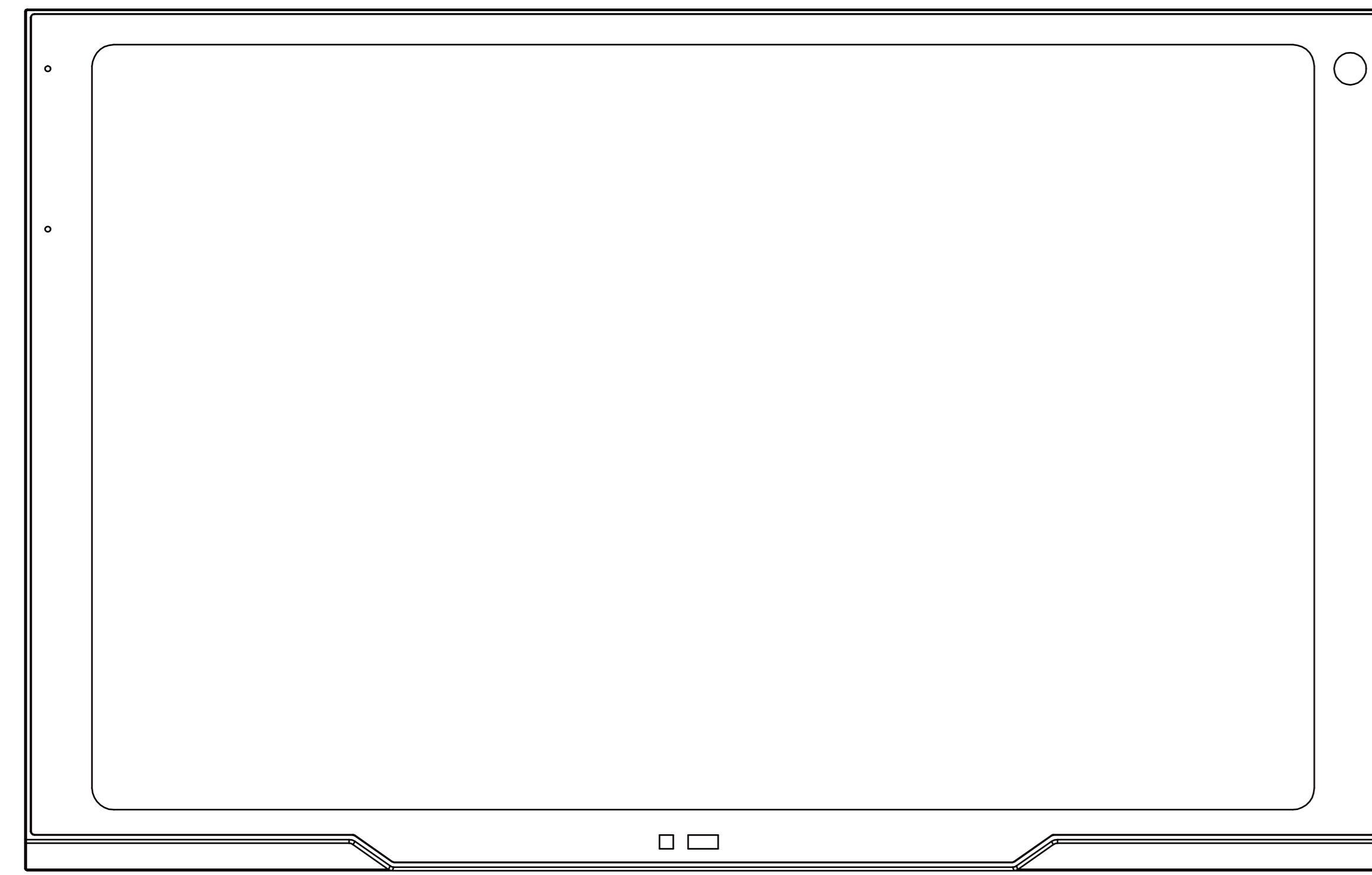
4 **BACK VIEW**



3 **LEFT VIEW**



6 **TOP VIEW**

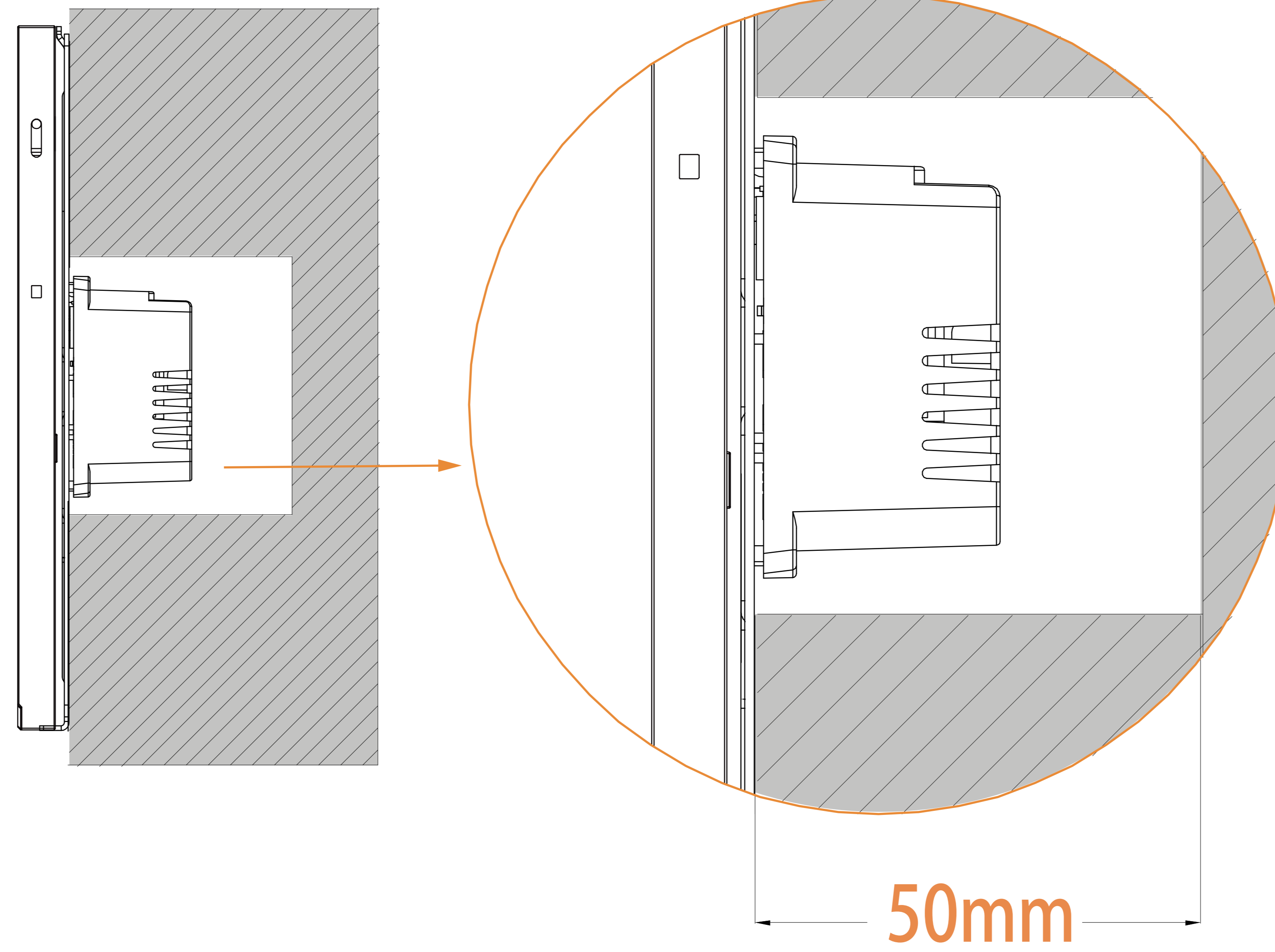


① HYPANEL SUPREME FRONT VIEW

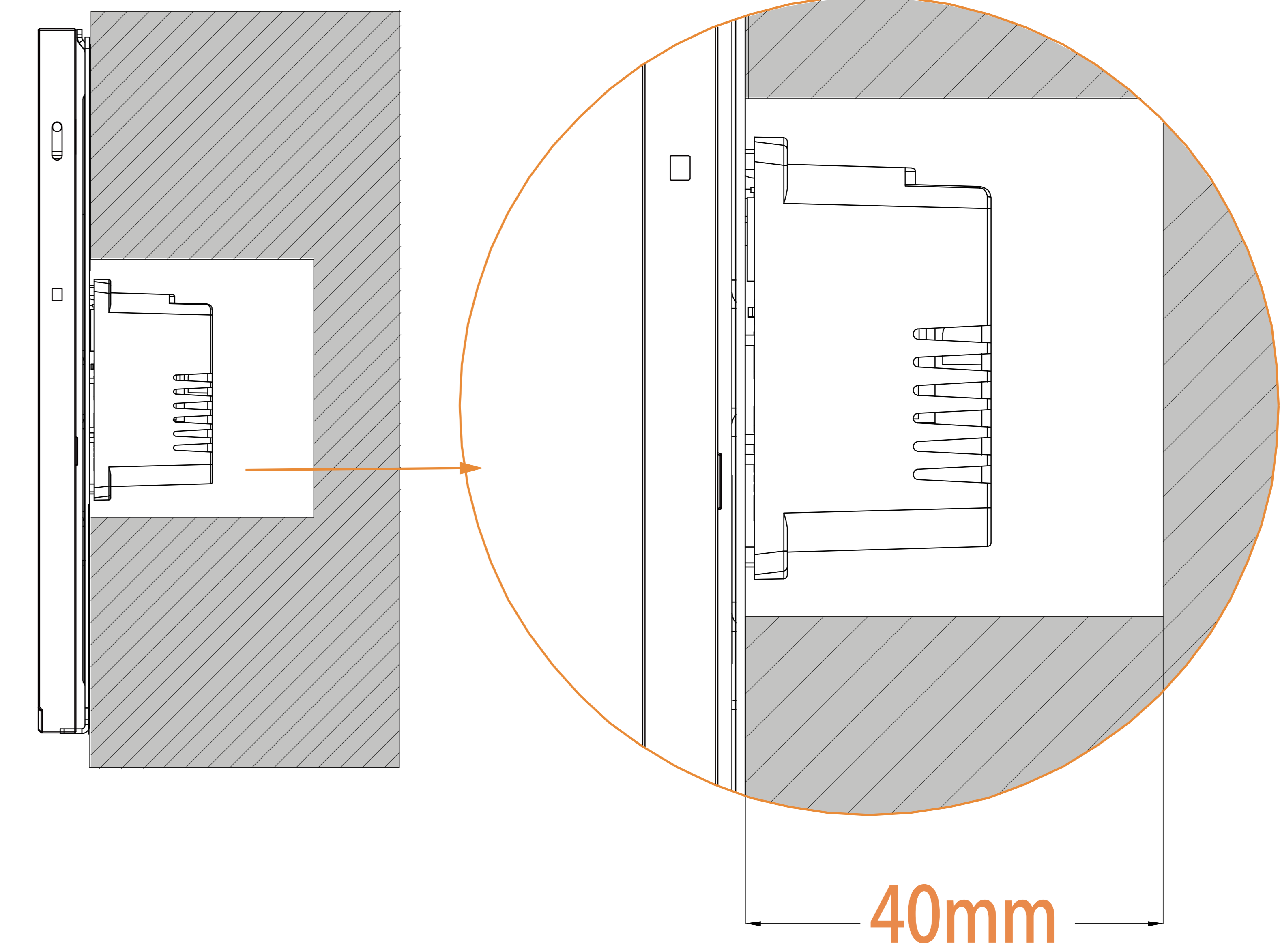
1100-1600mm TO BOTTOM OF PANEL

ADA Compliance Requirement

GROUND



② SIDE VIEW:HYPANEL SUPREME IN WALL



A 50 mm (2 inches) deep electrical box is highly recommended for ease of installation.