

**Applicable Model**

E16

**Drawing Title**

Intercom Panel

**Drawing Unit**

mm

**Drawing Scale**

Not to scale

**DRAFT  
SUBJECT TO  
CHANGE**

**Last Revised**

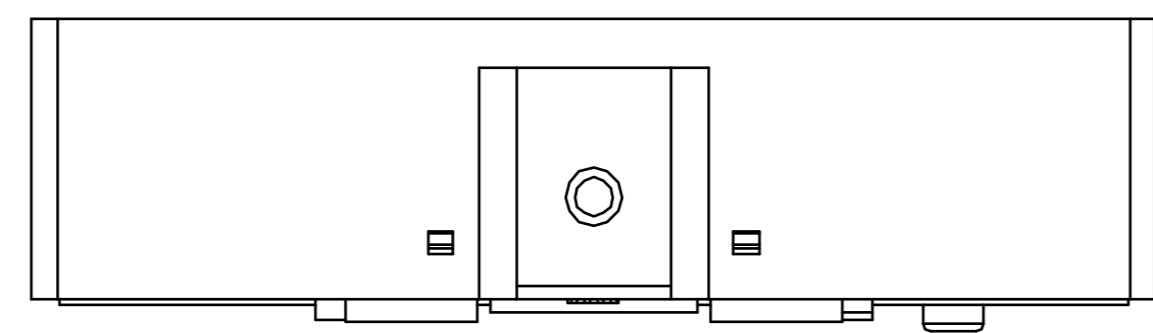
Mar 06,2023

**Drawing Version**

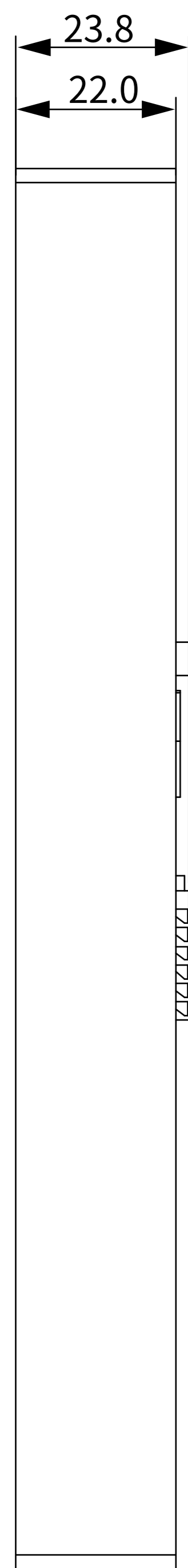
V1.0

**Page**

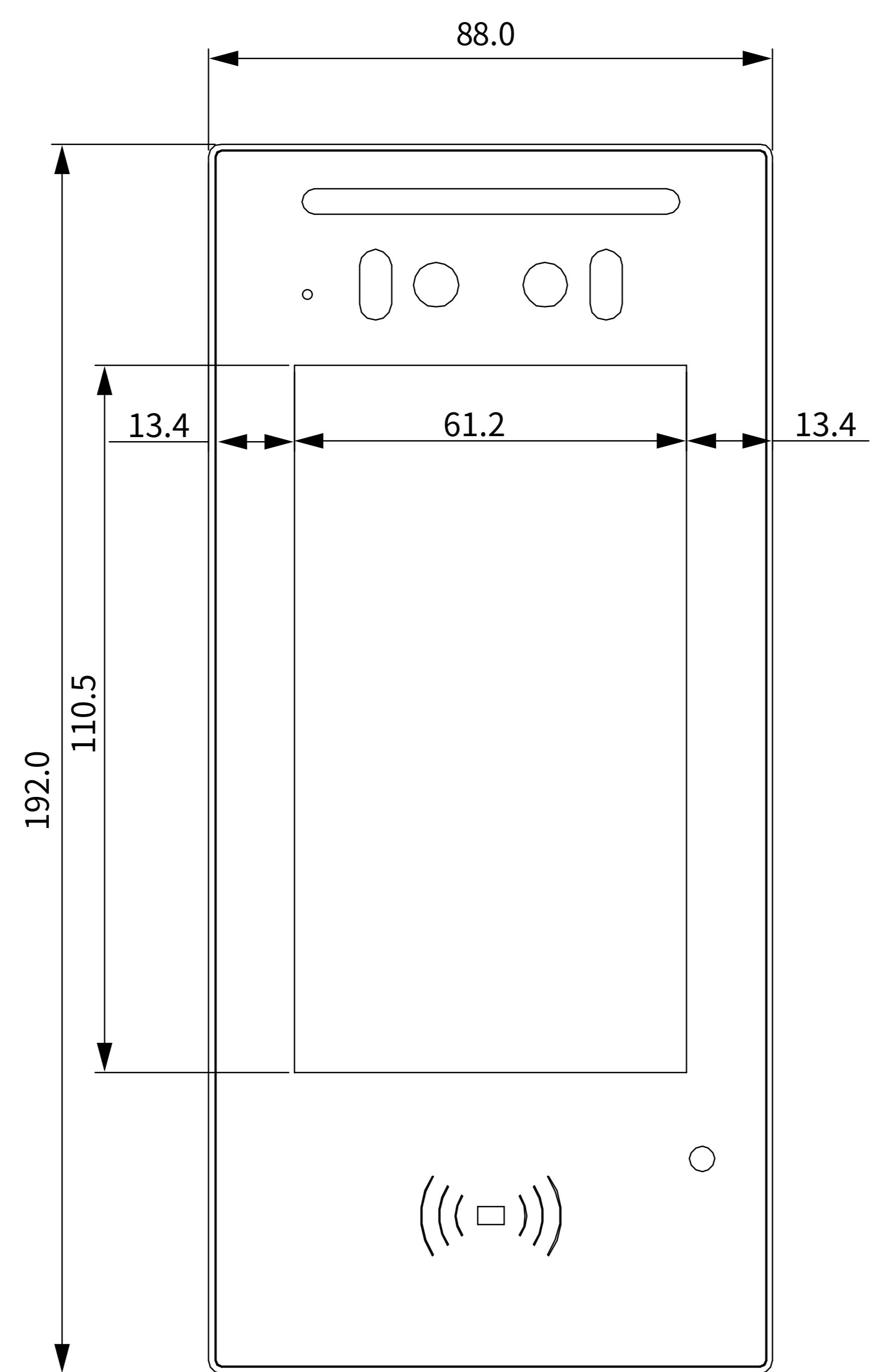
1 of 10



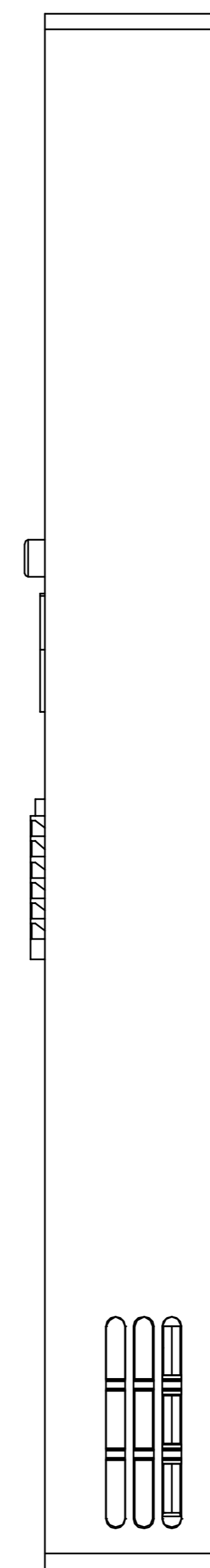
6 **BOTTOM VIEW**



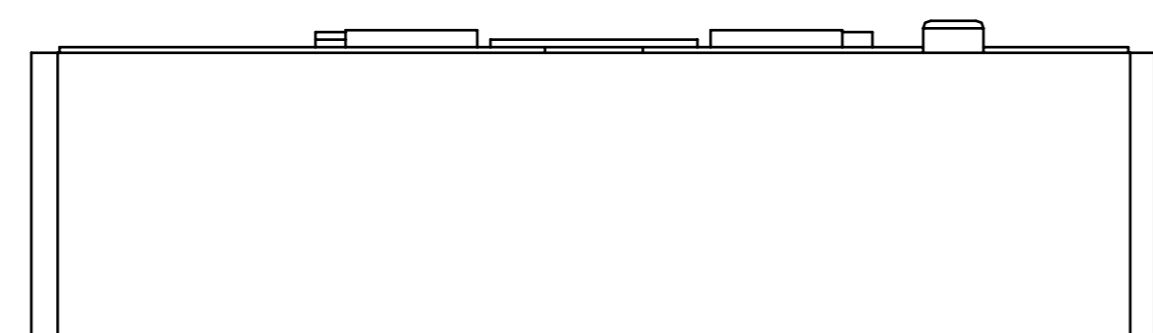
2 **RIGHT VIEW**



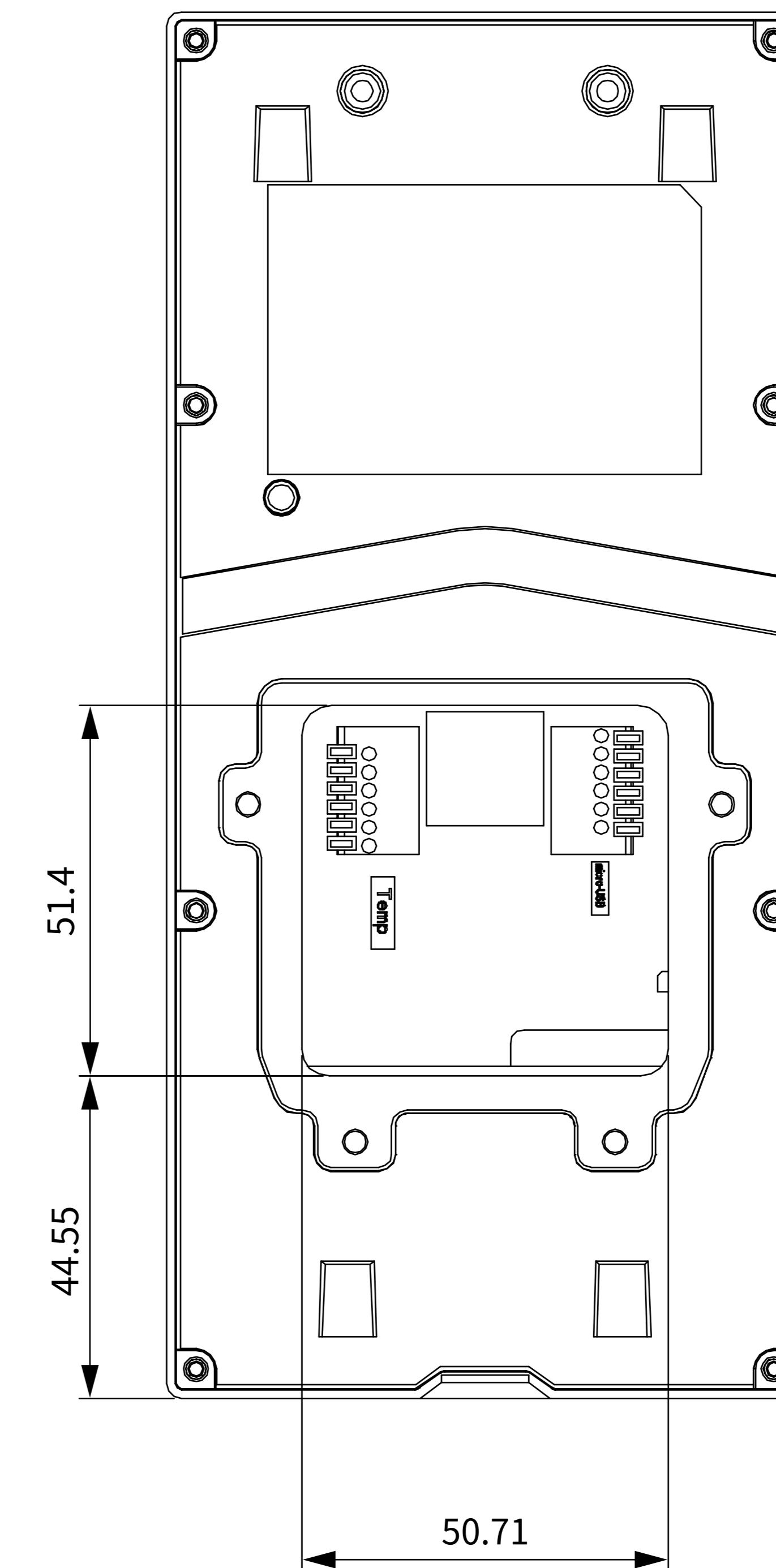
1 **FRONT VIEW**



3 **LEFT VIEW**



5 **TOP VIEW**



4 **BACK VIEW**

**Applicable Model**

E16

**Drawing Title**

Wall Mounting Bracket

**Drawing Unit**

mm

**Drawing Scale**

Not to scale

**DRAFT  
SUBJECT TO  
CHANGE**

**Last Revised**

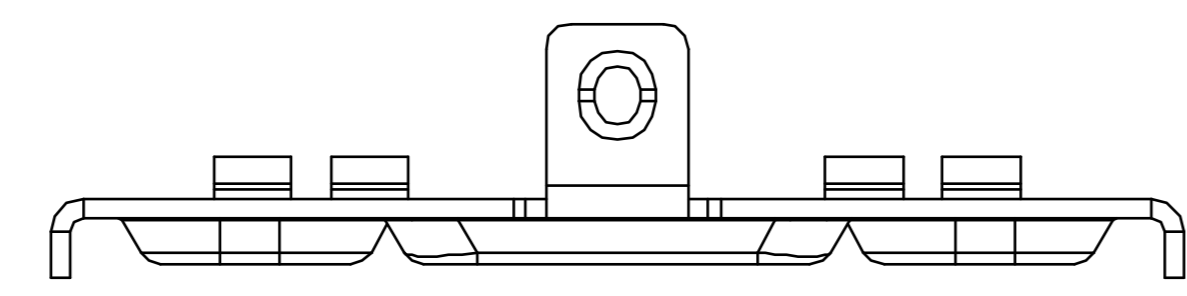
Mar 06,2023

**Drawing Version**

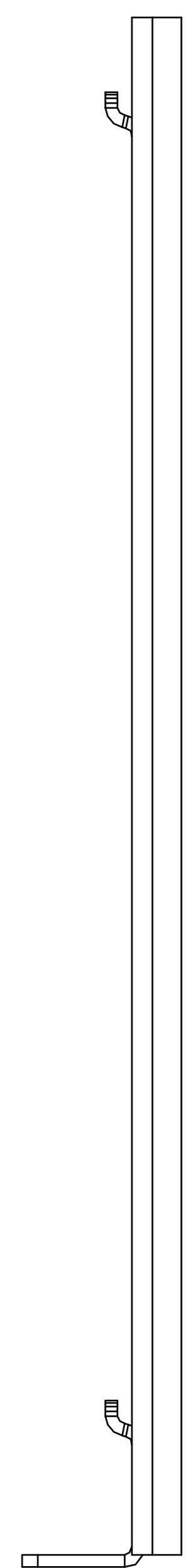
V1.0

**Page**

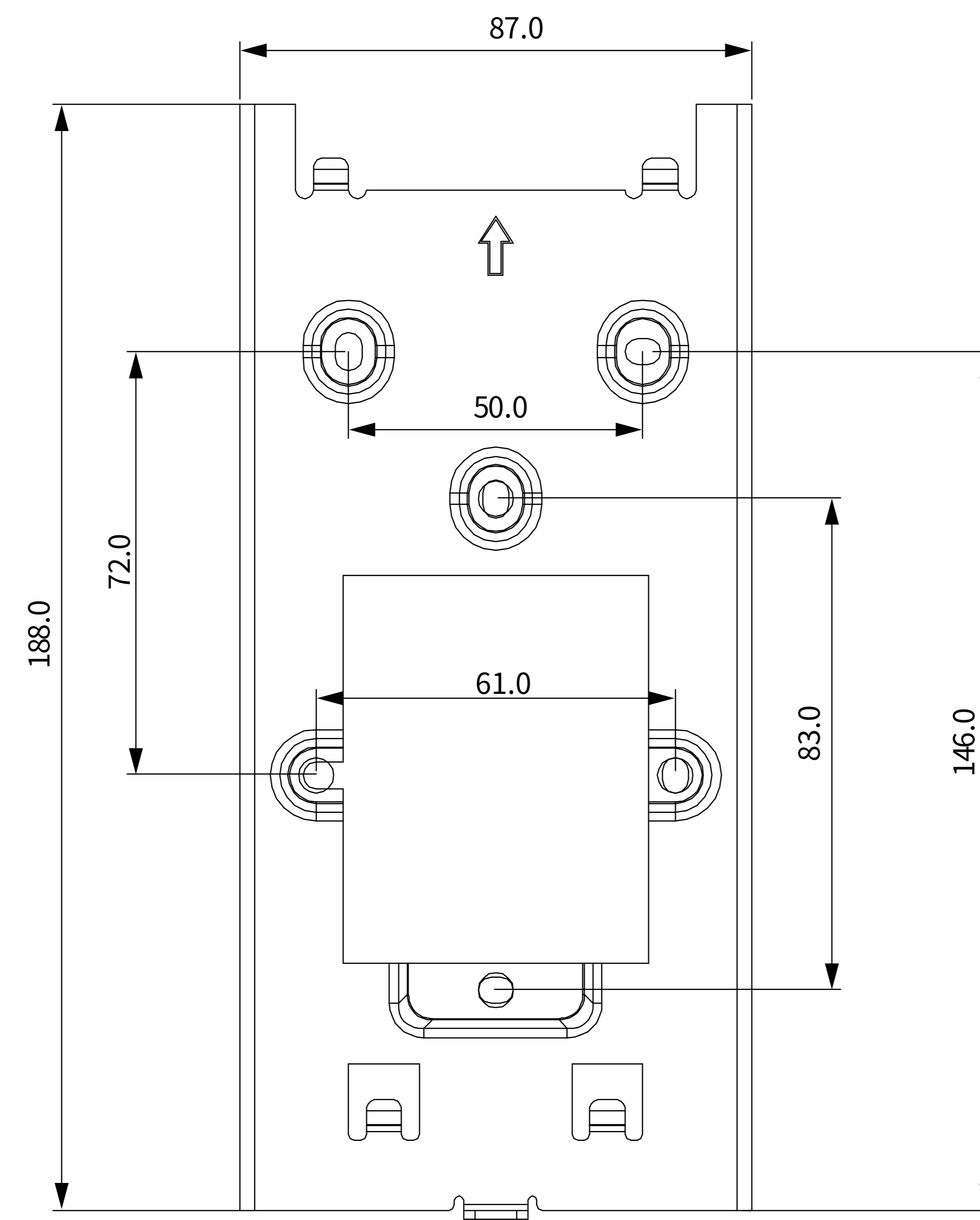
2 of 10



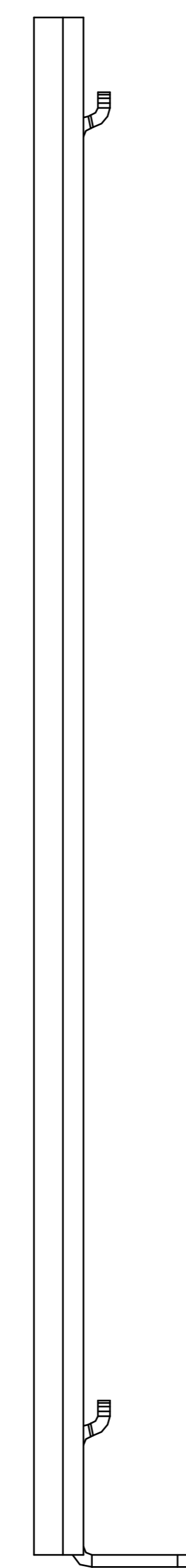
⑥ **BOTTOM VIEW**



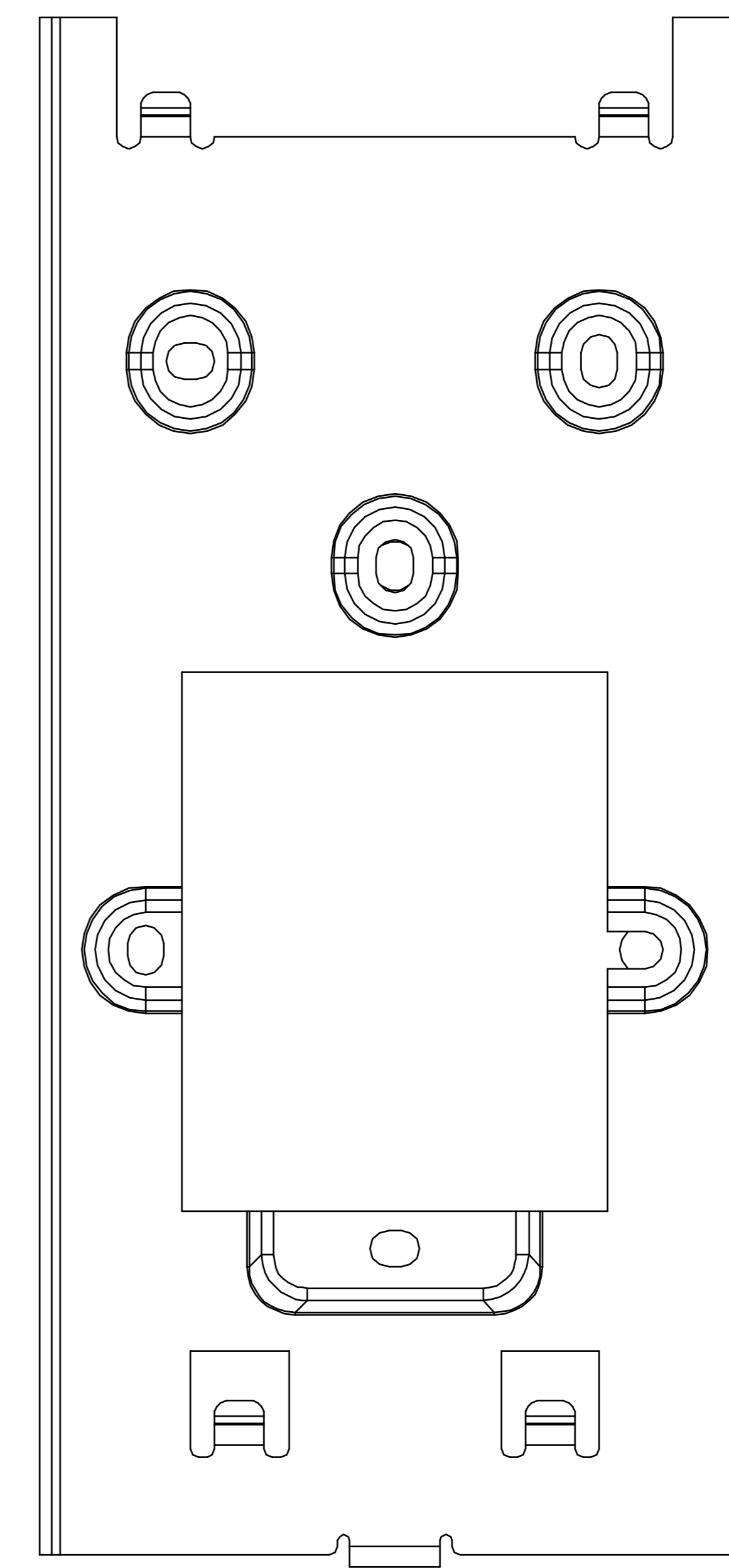
② **RIGHT VIEW**



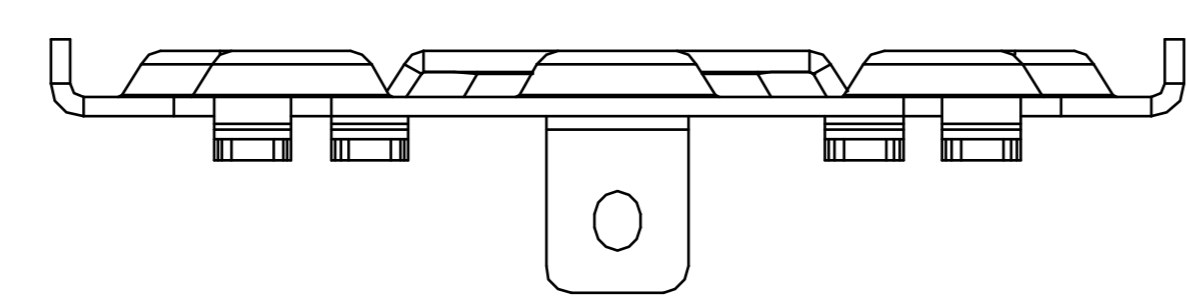
① **FRONT VIEW**



③ **LEFT VIEW**



④ **BACK VIEW**



⑤ **TOP VIEW**

**Applicable Model**

E16

**Drawing Title**

Placement

**Drawing Unit**

mm

**Drawing Scale**

Not to scale

**DRAFT  
SUBJECT TO  
CHANGE**

**Last Revised**

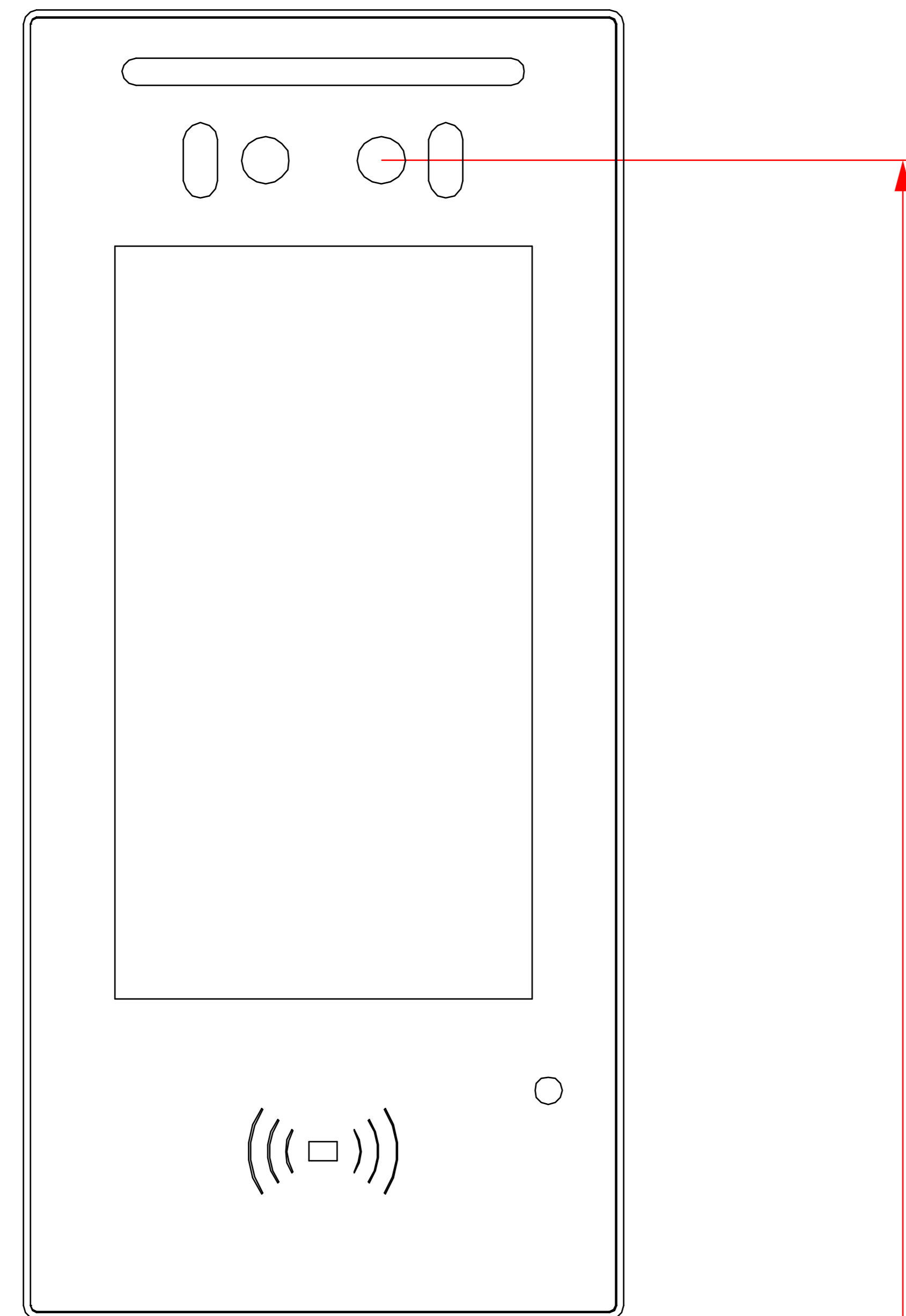
Mar 06,2023

**Drawing Version**

V1.0

**Page**

3 of 10

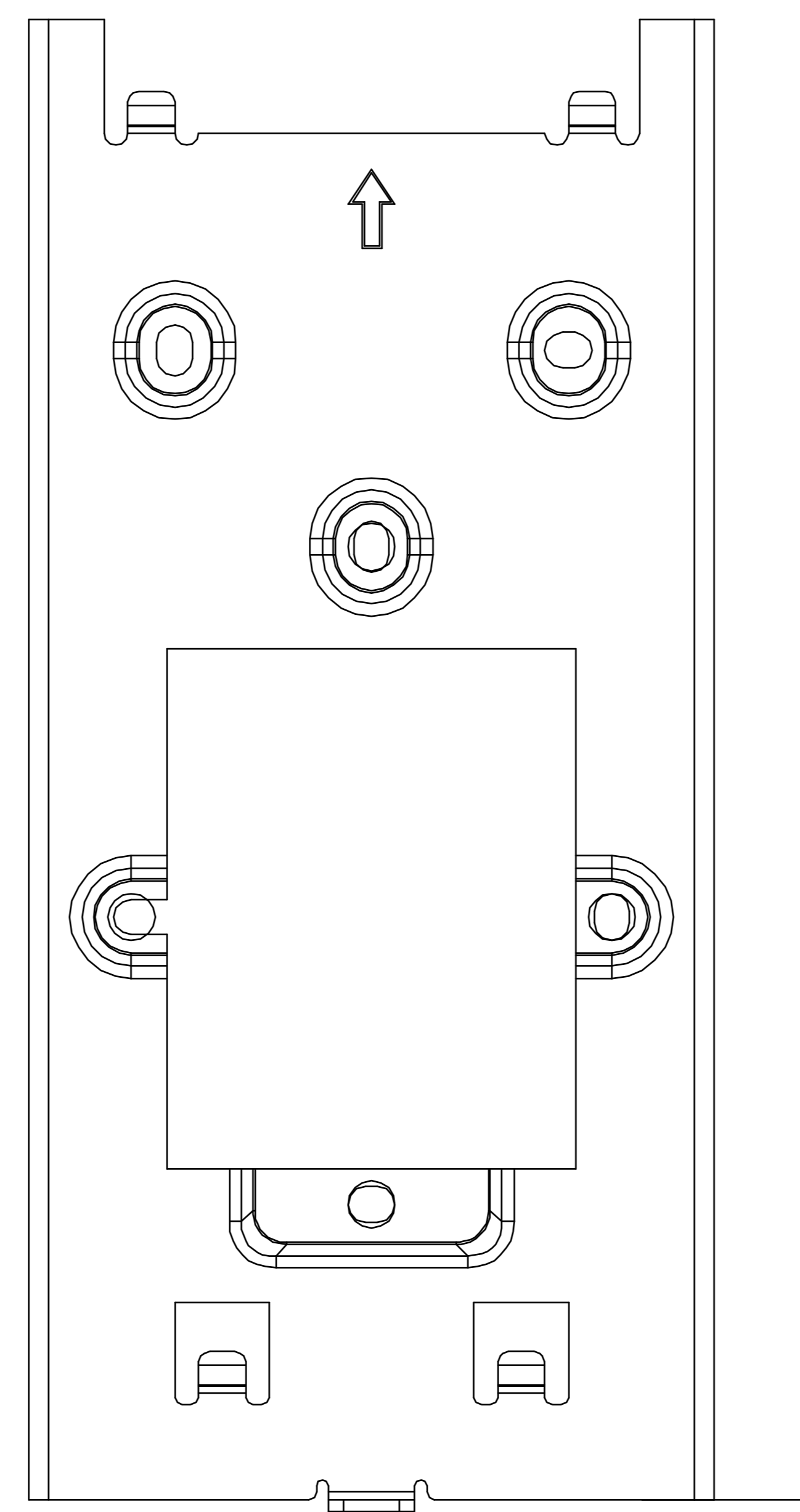


① INTERCOM PANEL FRONT VIEW

1330mm TO BOTTOM OF PANEL

1500mm TO CENTER OF CAMERA

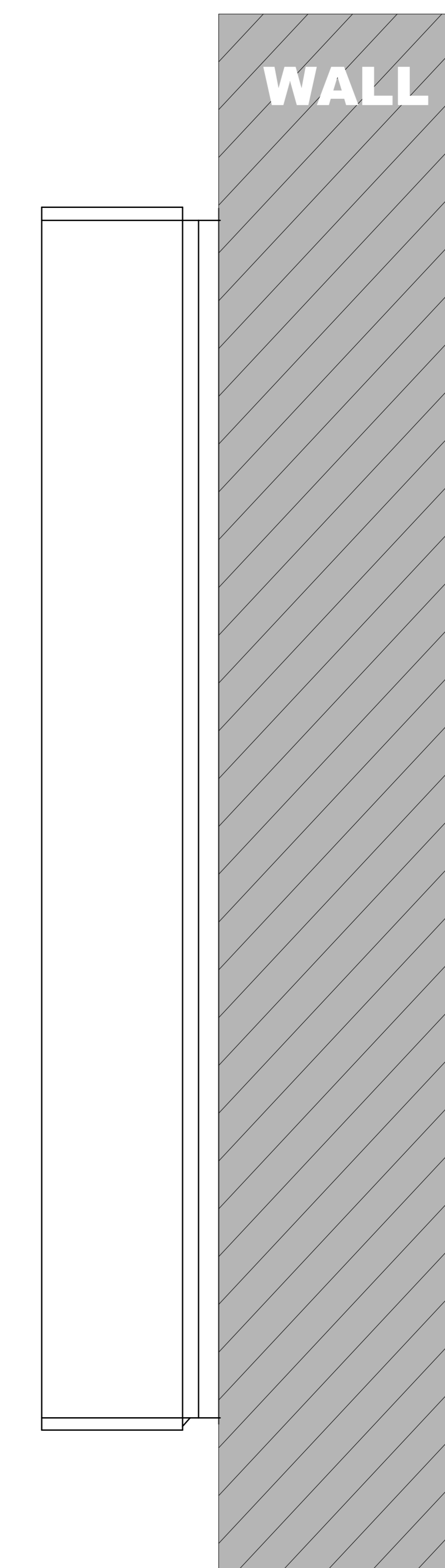
GROUND



② FRONT VIEW:WALL MOUNTING BRACKET PLACEMENT

1332mm TO BOTTOM OF BRACKET

GROUND



③ SIDE VIEW:INTERCOM ON WALL

**Applicable Model**

E16

**Drawing Title**

Wall Mounting Bracket  
With Temperature  
Measurement Module

**Drawing Unit**

mm

**Drawing Scale**

Not to scale

**DRAFT  
SUBJECT TO  
CHANGE**

**Last Revised**

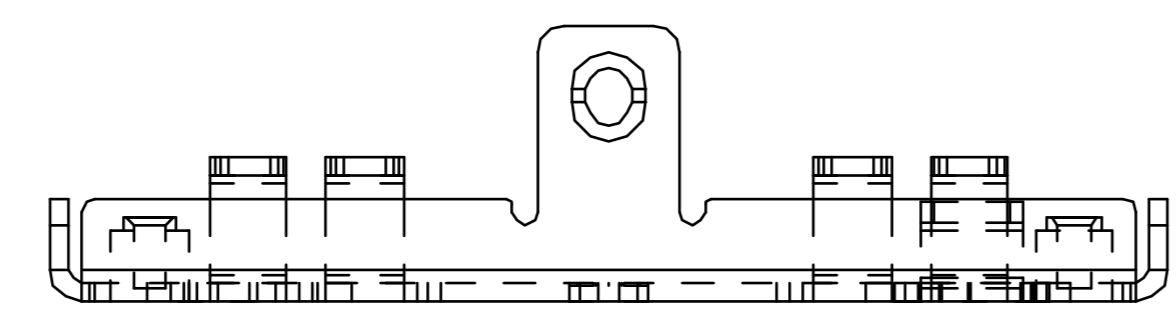
Mar 06, 2023

**Drawing Version**

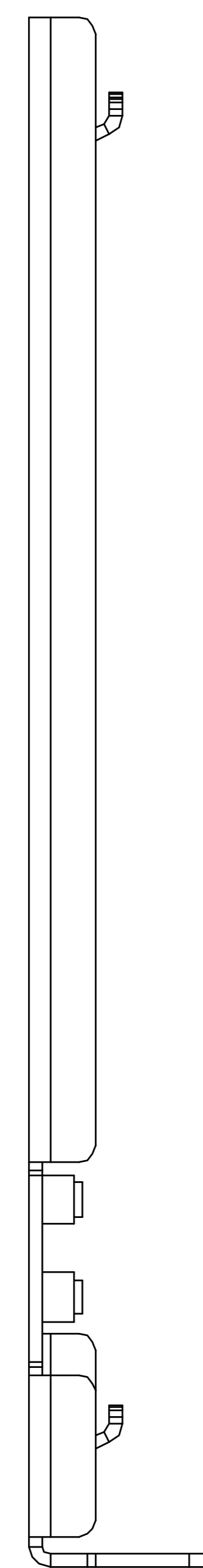
V1.0

**Page**

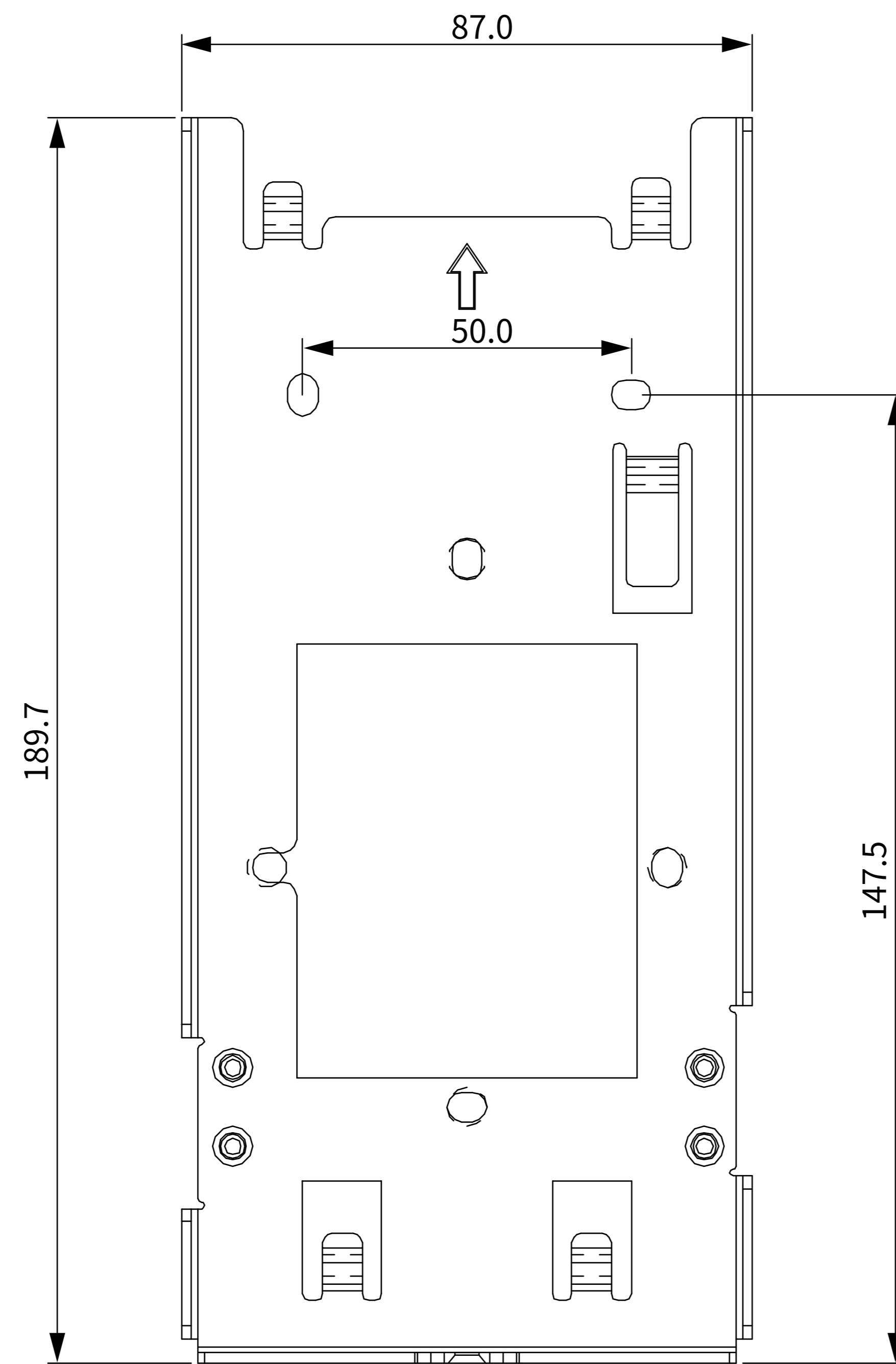
4 of 10



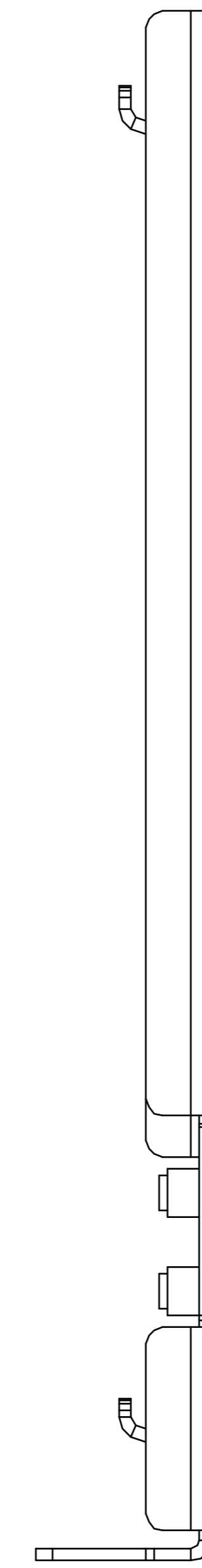
⑥ **BOTTOM VIEW**



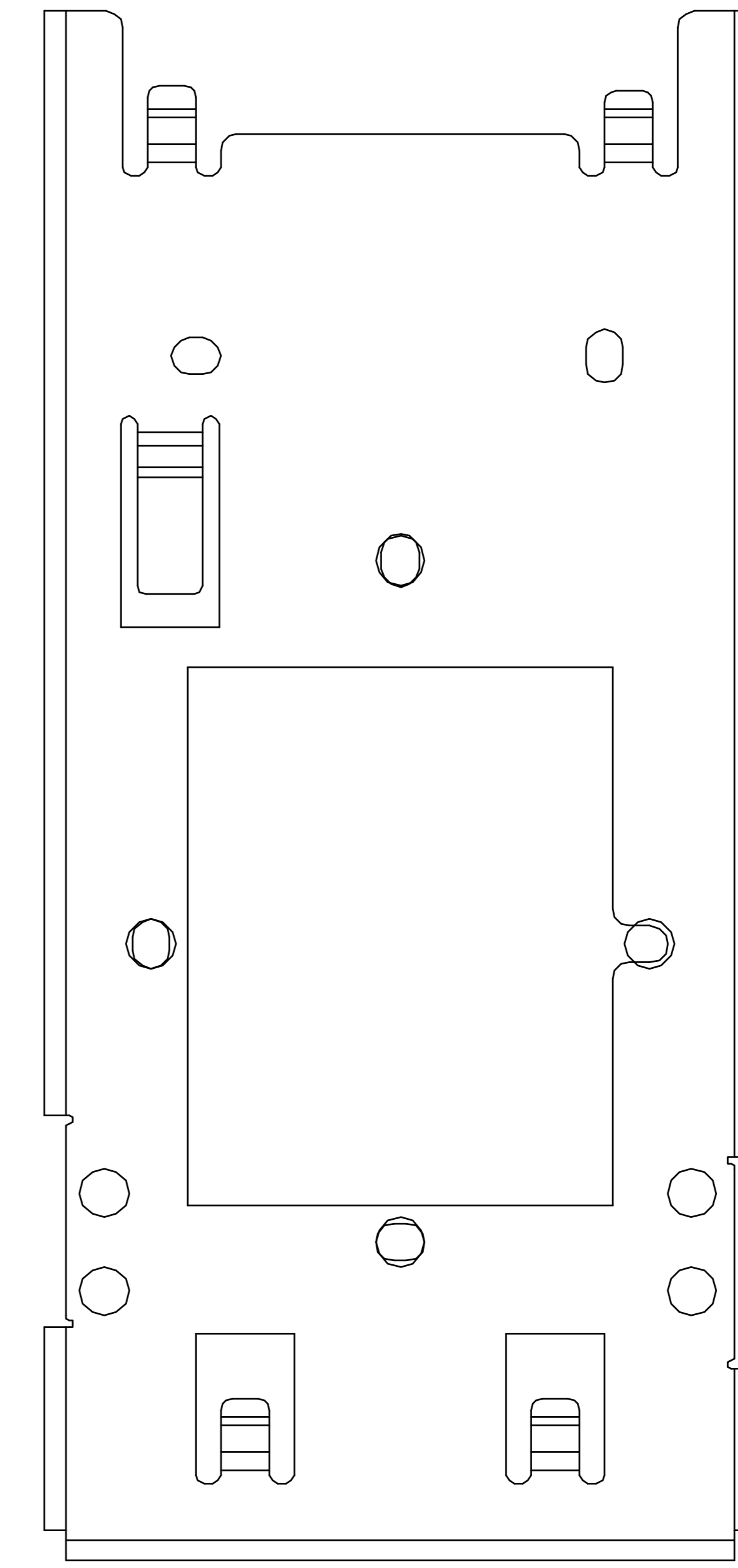
② **RIGHT VIEW**



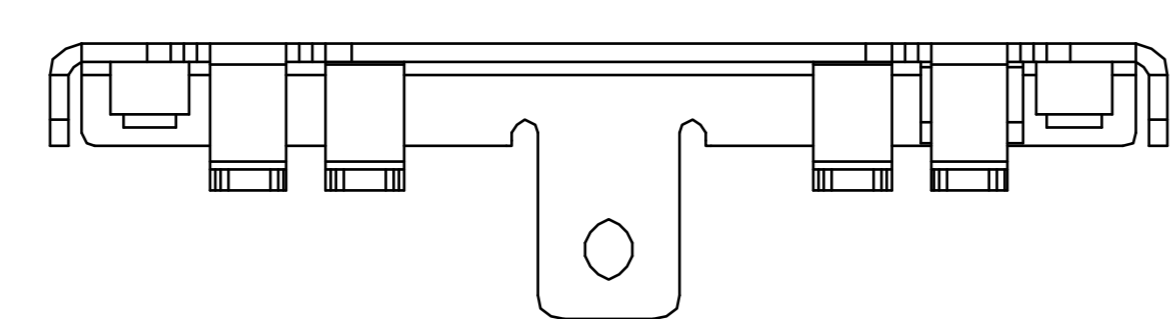
① **FRONT VIEW**



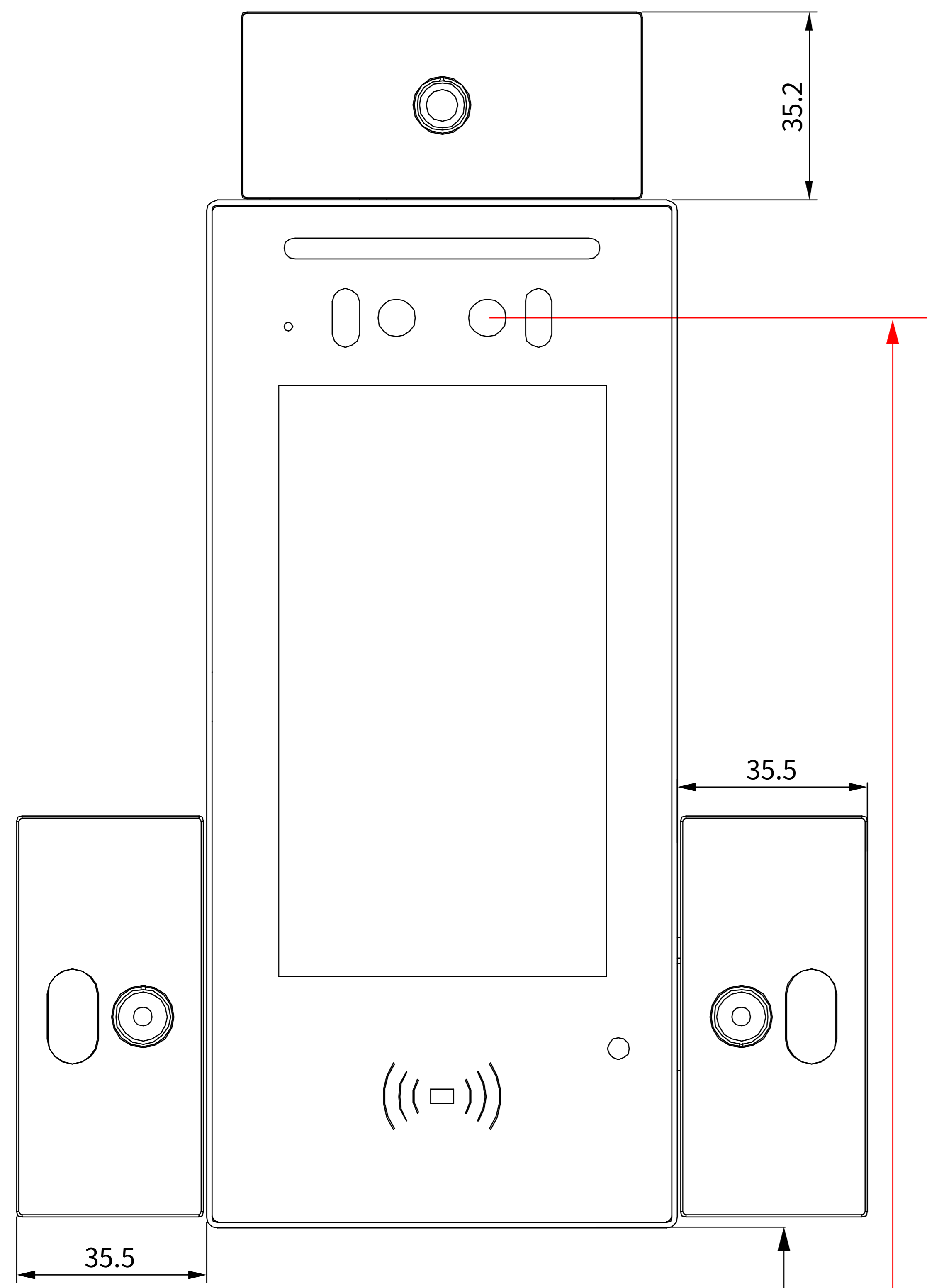
③ **LEFT VIEW**



④ **BACK VIEW**



⑤ **TOP VIEW**

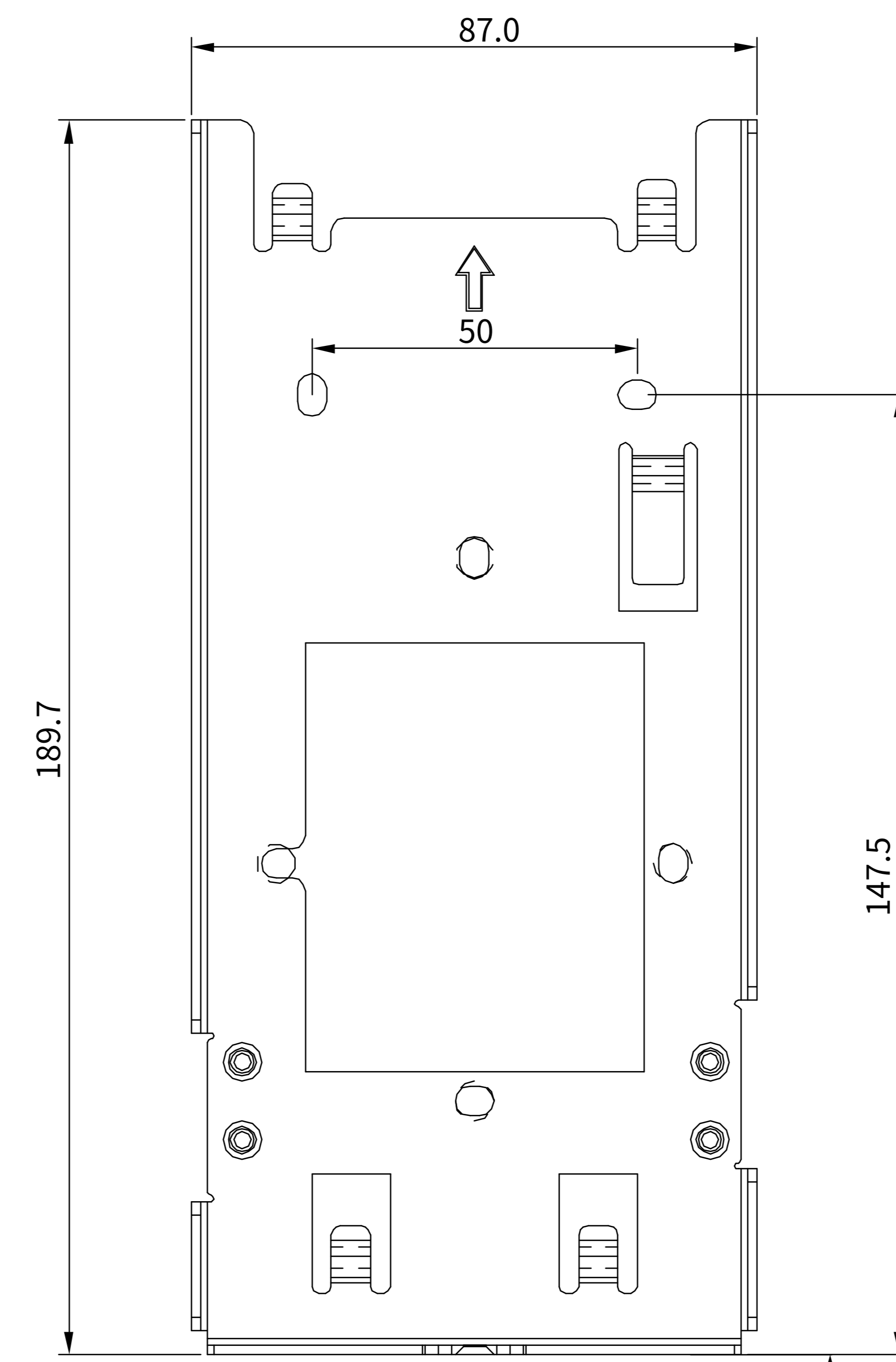


① INTERCOM PANEL WITH TEMPERATURE MEASUREMENT MODULE FRONT VIEW

1330mm TO BOTTOM OF PANEL

1500mm TO CENTER OF CAMERA

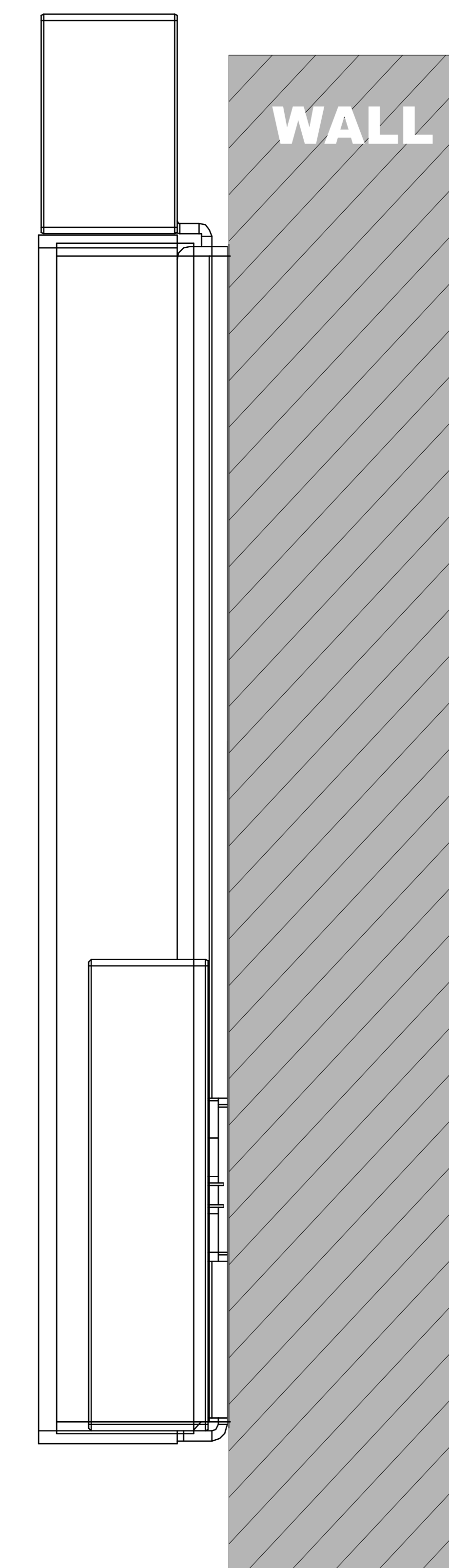
GROUND



② FRONT VIEW:WALL MOUNTING BRACKET PLACEMENT

1330mm TO BOTTOM OF BRACKET

GROUND



③ SIDE VIEW:INTERCOM ON WALL

**Applicable Model**

E16

**Drawing Title**

On-Wall Mounting  
Rain Cover

**Drawing Unit**

mm

**Drawing Scale**

Not to scale

**DRAFT  
SUBJECT TO  
CHANGE**

**Last Revised**

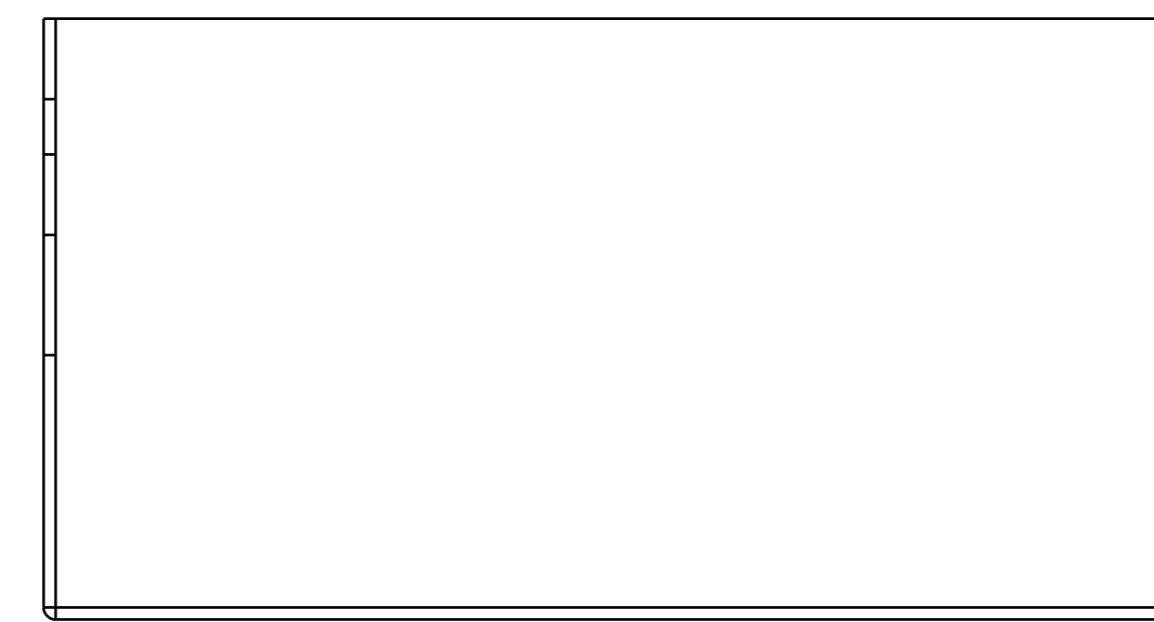
Mar 06,2023

**Drawing Version**

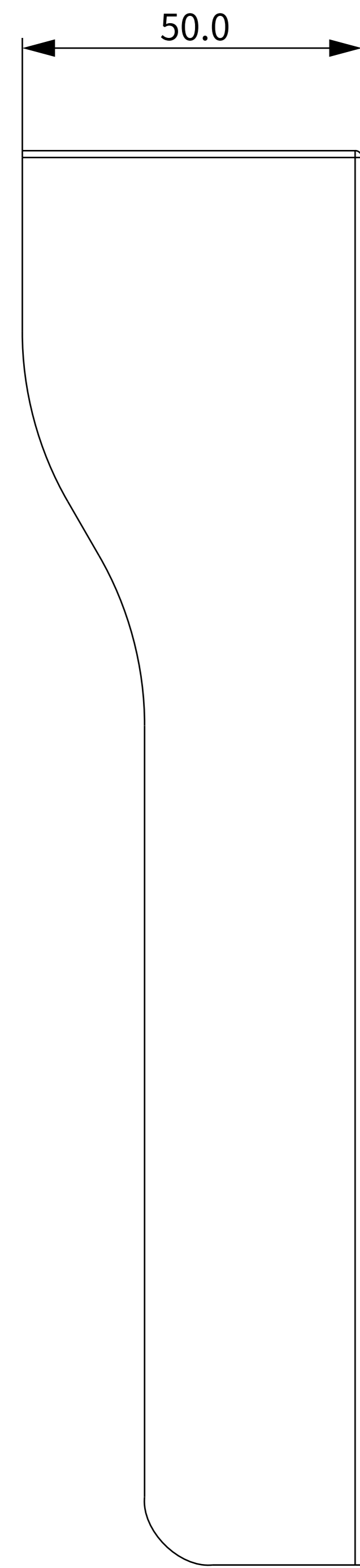
V1.0

**Page**

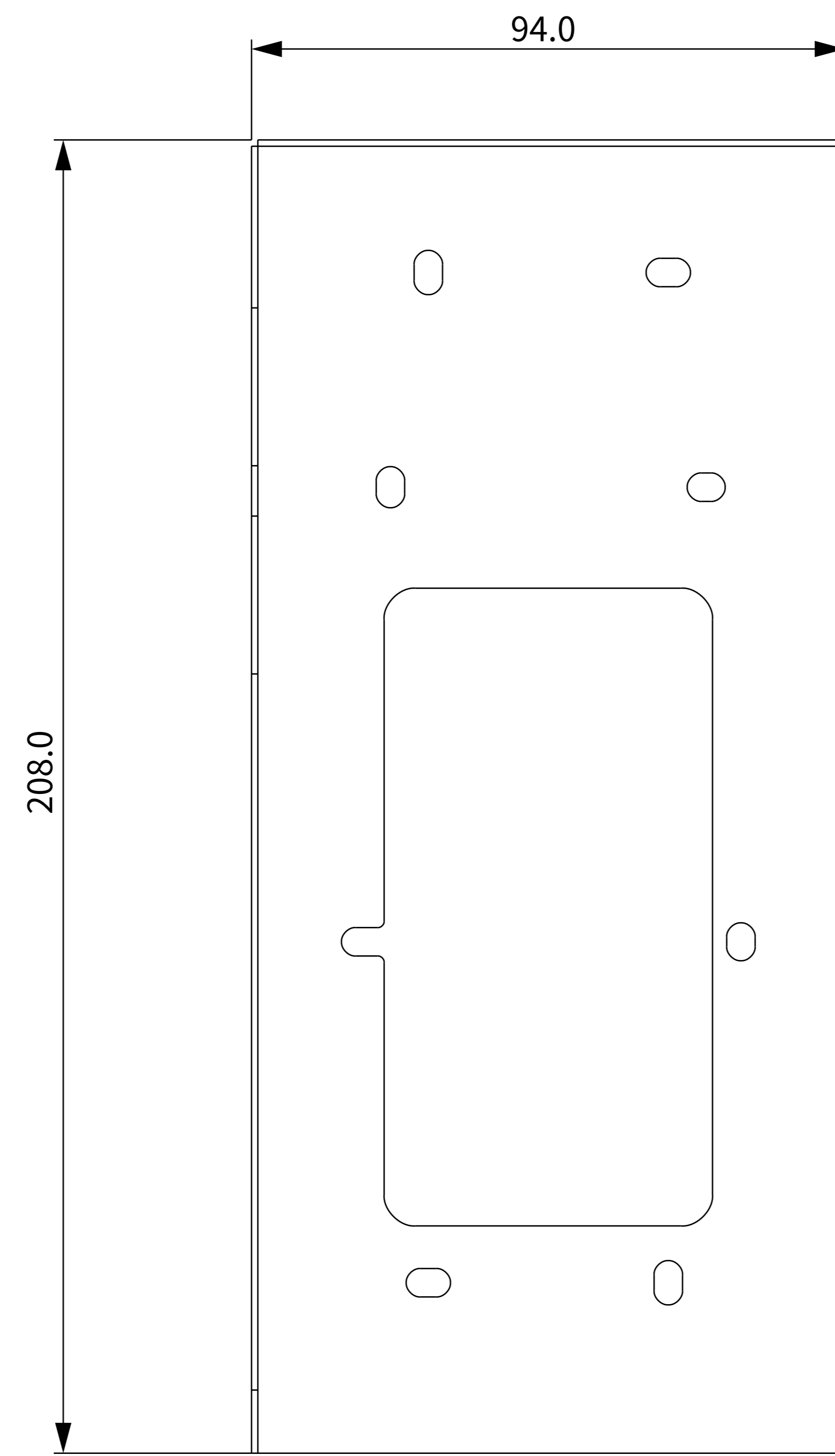
6 of 10



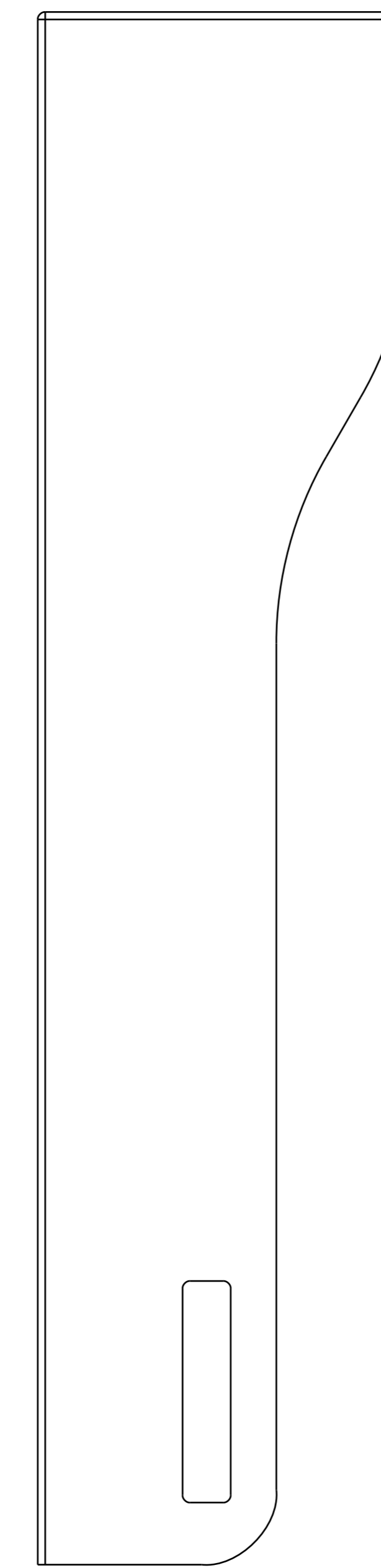
⑥ **BOTTOM VIEW**



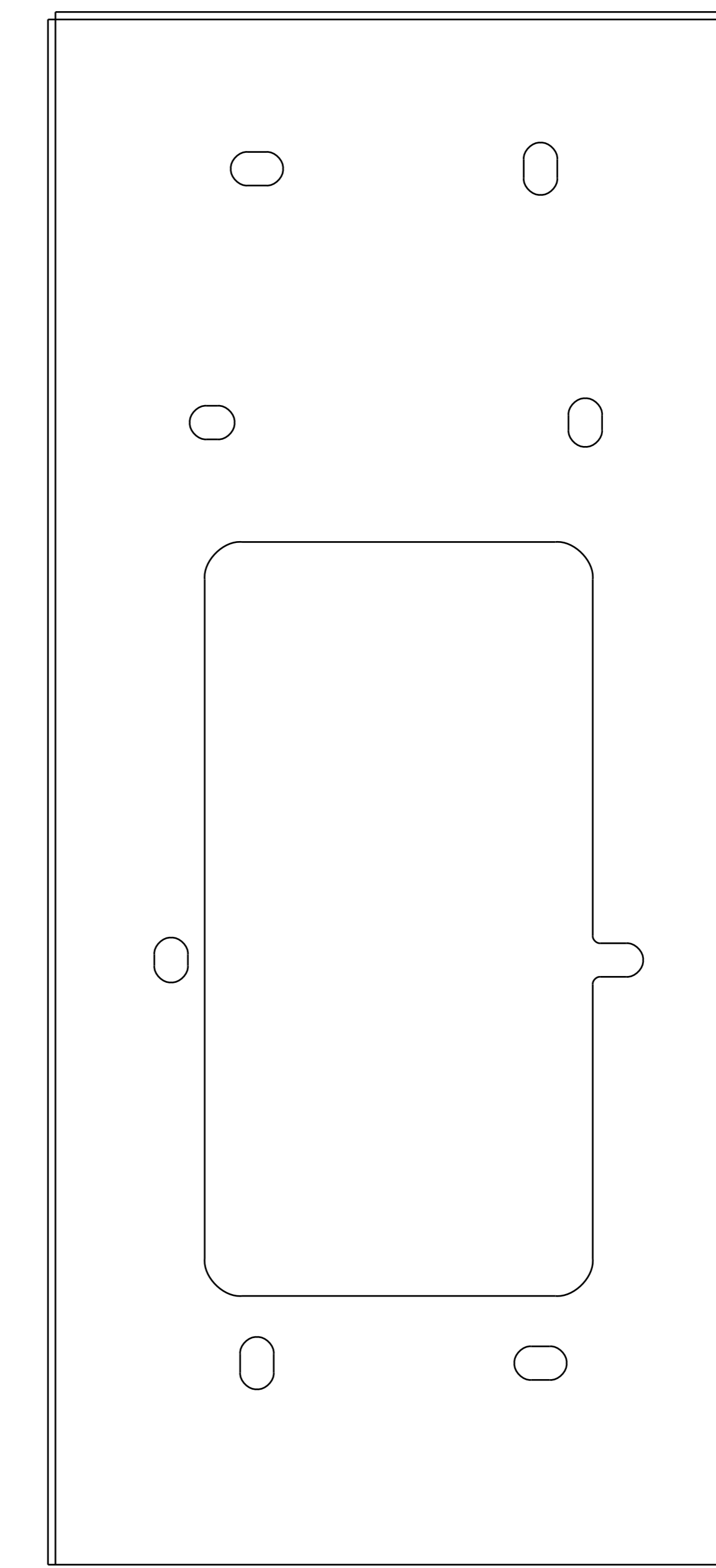
② **RIGHT VIEW**



① **FRONT VIEW**



③ **LEFT VIEW**



④ **BACK VIEW**



⑤ **TOP VIEW**

**Applicable Model**

E16

**Drawing Title**

Placement

**Drawing Unit**

mm

**Drawing Scale**

Not to scale

**DRAFT  
SUBJECT TO  
CHANGE**

**Last Revised**

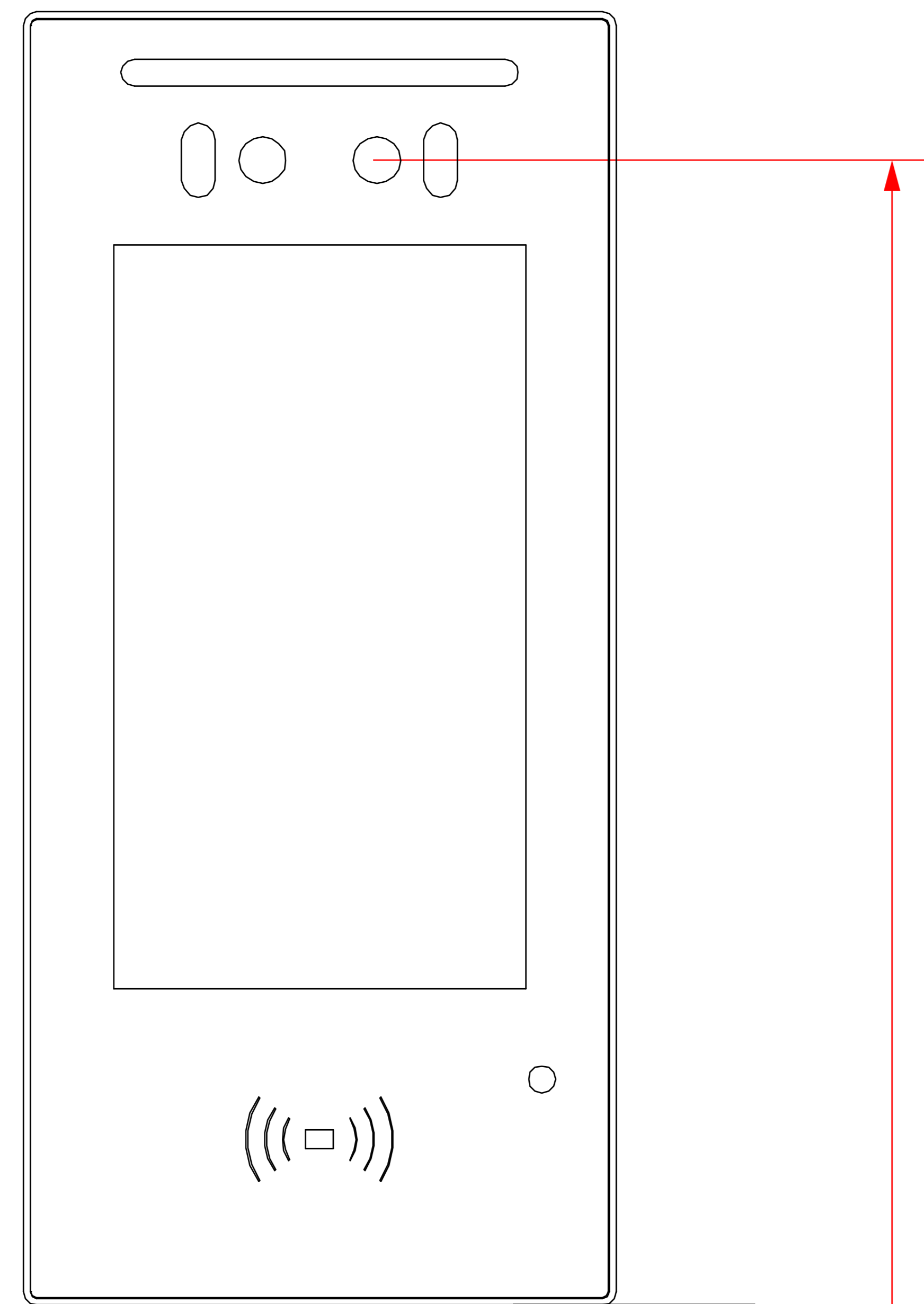
Mar 06,2023

**Drawing Version**

V1.0

**Page**

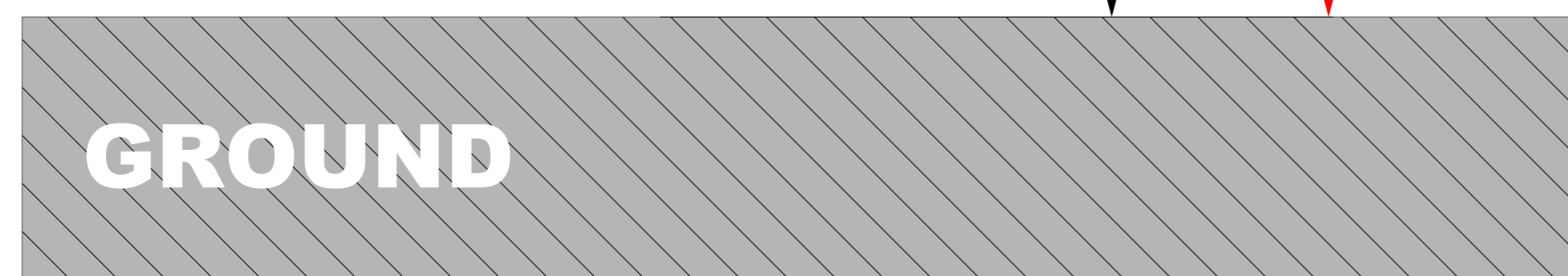
7 of 10



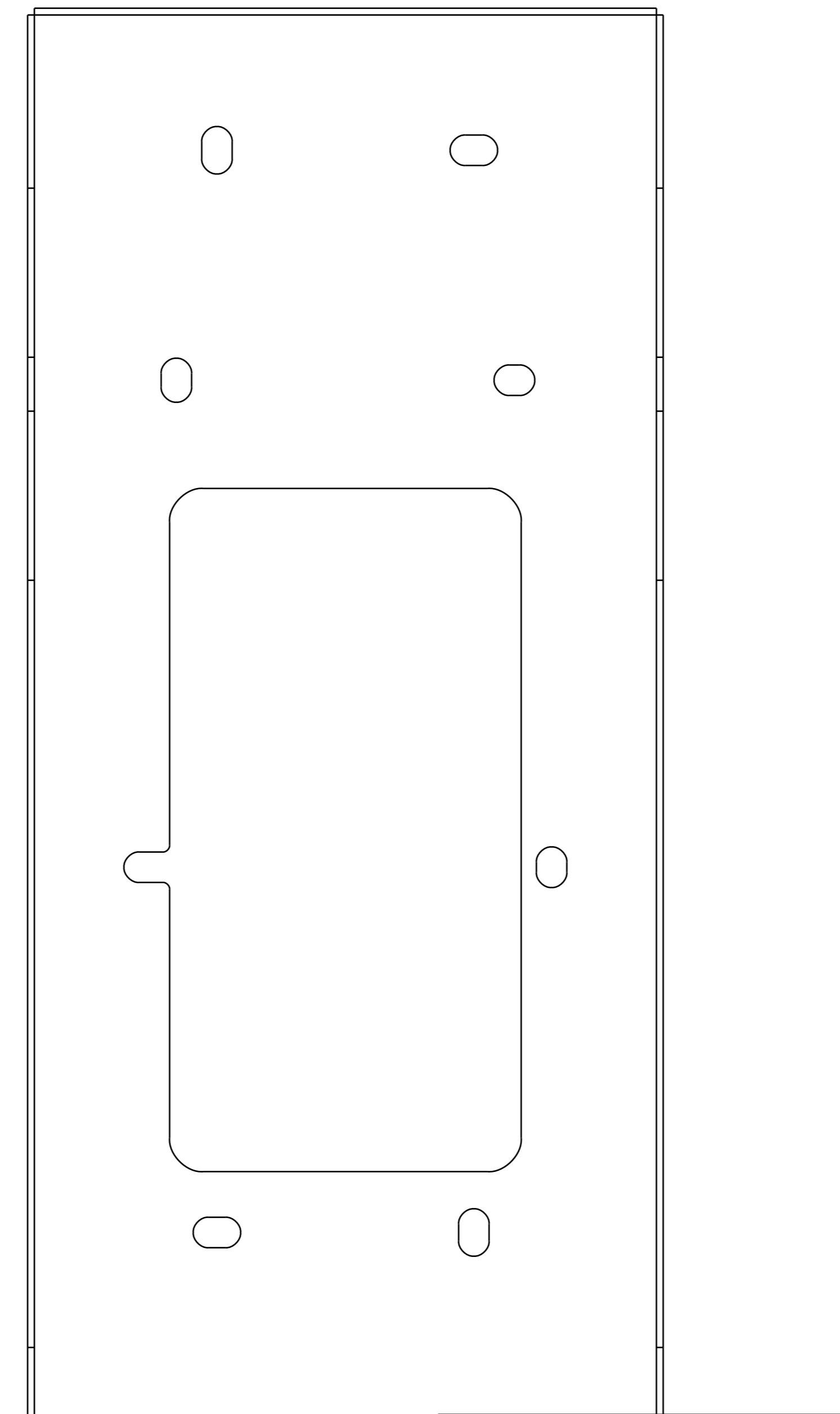
① INTERCOM PANEL FRONT VIEW

1330mm TO BOTTOM OF PANEL

1500mm TO CENTER OF CAMERA

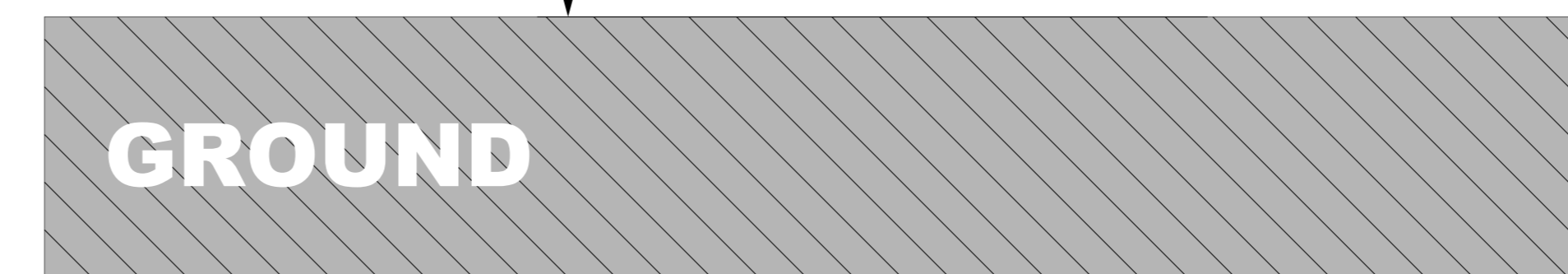


**GROUND**

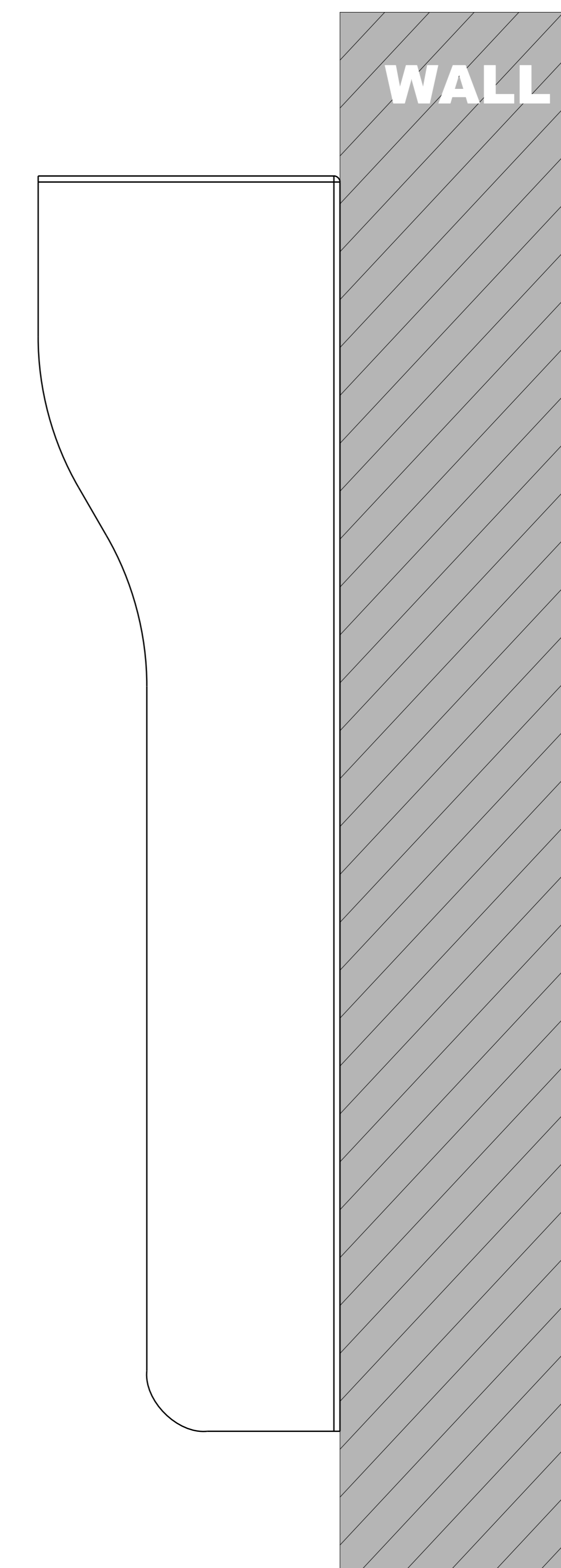


② FRONT VIEW:ON-WALL MOUNTING RAIN COVER PLACEMENT

1332mm TO BOTTOM OF BRACKET



**GROUND**



③ SIDE VIEW:INTERCOM ON WALL

**Applicable Model**

E16

**Drawing Title**

In-Wall Mounting  
Decorative Panel

**Drawing Unit**

mm

**Drawing Scale**

Not to scale

**DRAFT  
SUBJECT TO  
CHANGE**

**Last Revised**

Mar 06,2023

**Drawing Version**

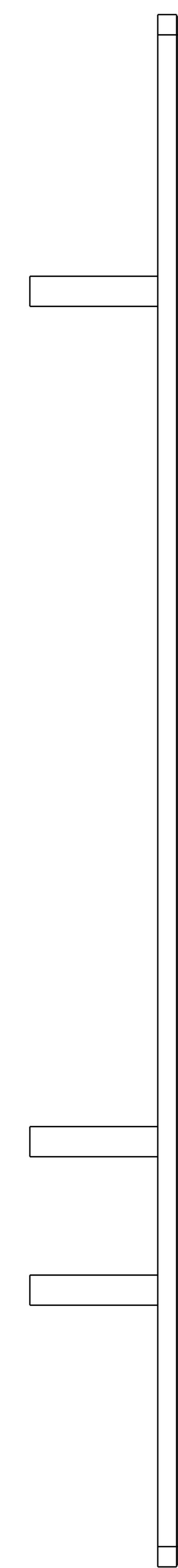
V1.0

**Page**

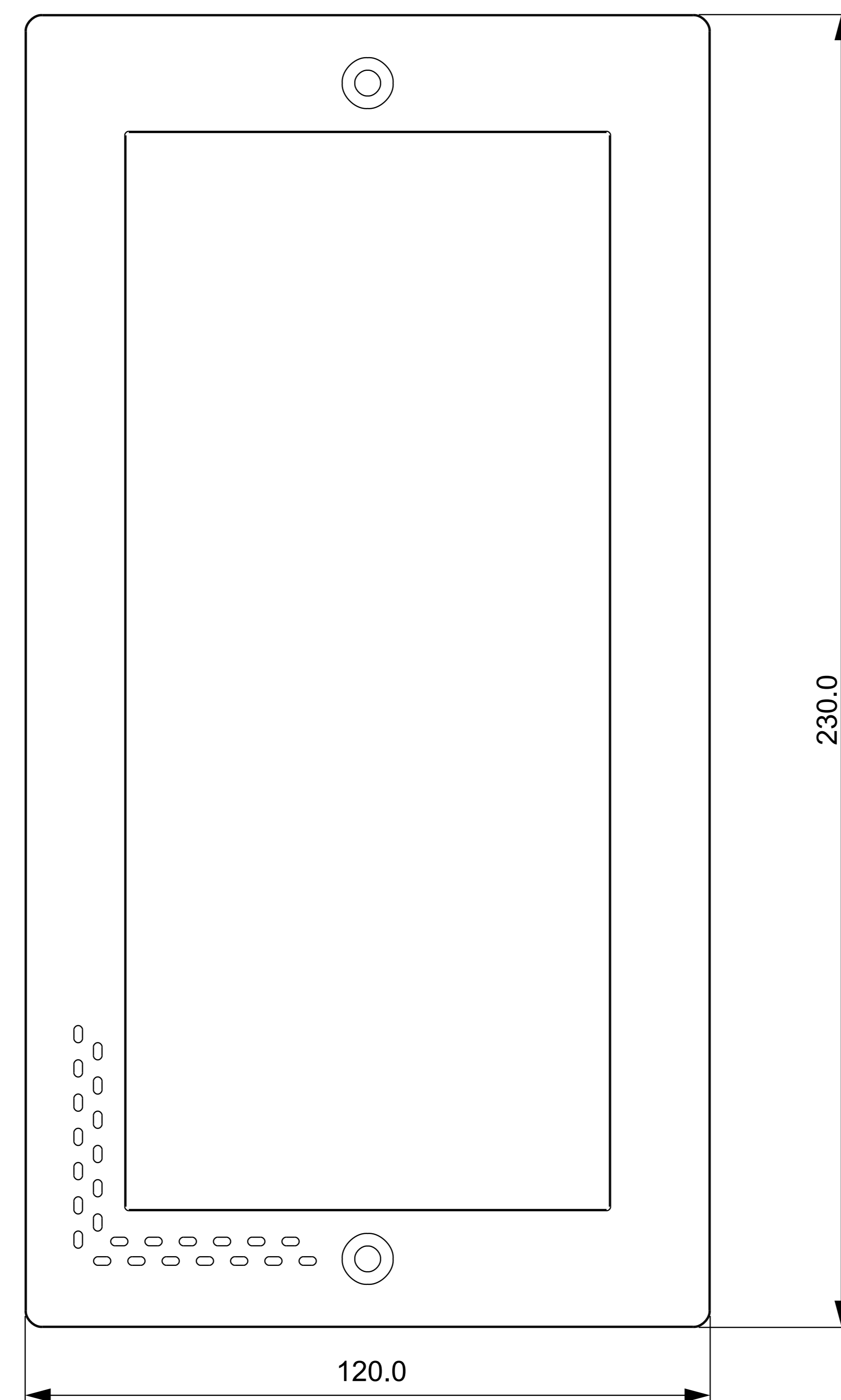
8 of 10



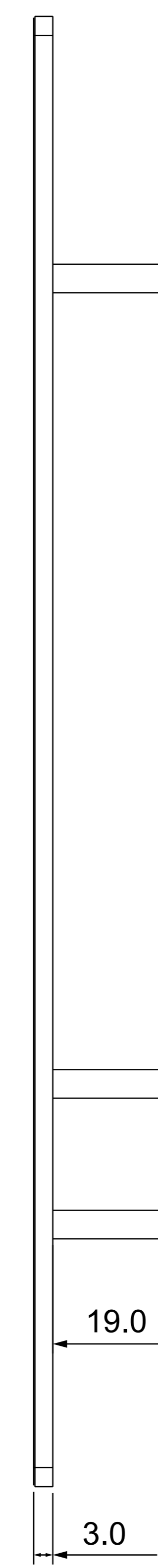
⑥ **BOTTOM VIEW**



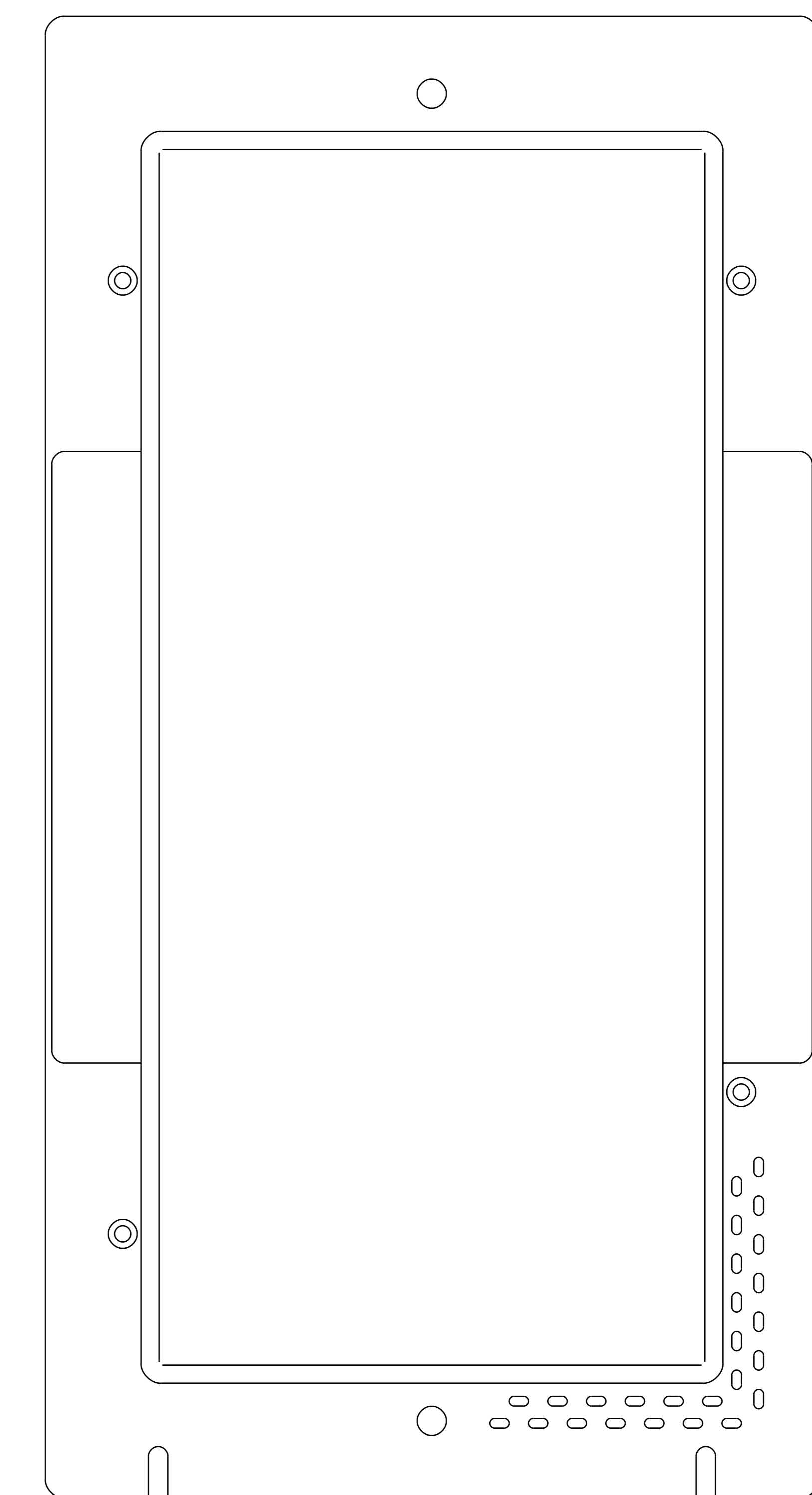
② **RIGHT VIEW**



① **FRONT VIEW**



③ **LEFT VIEW**



④ **BACK VIEW**



⑤ **TOP VIEW**



**Applicable Model**

E16

**Drawing Title**

Flushing Mounting Box

**Drawing Unit**

mm

**Drawing Scale**

Not to scale

**DRAFT  
SUBJECT TO  
CHANGE**

**Last Revised**

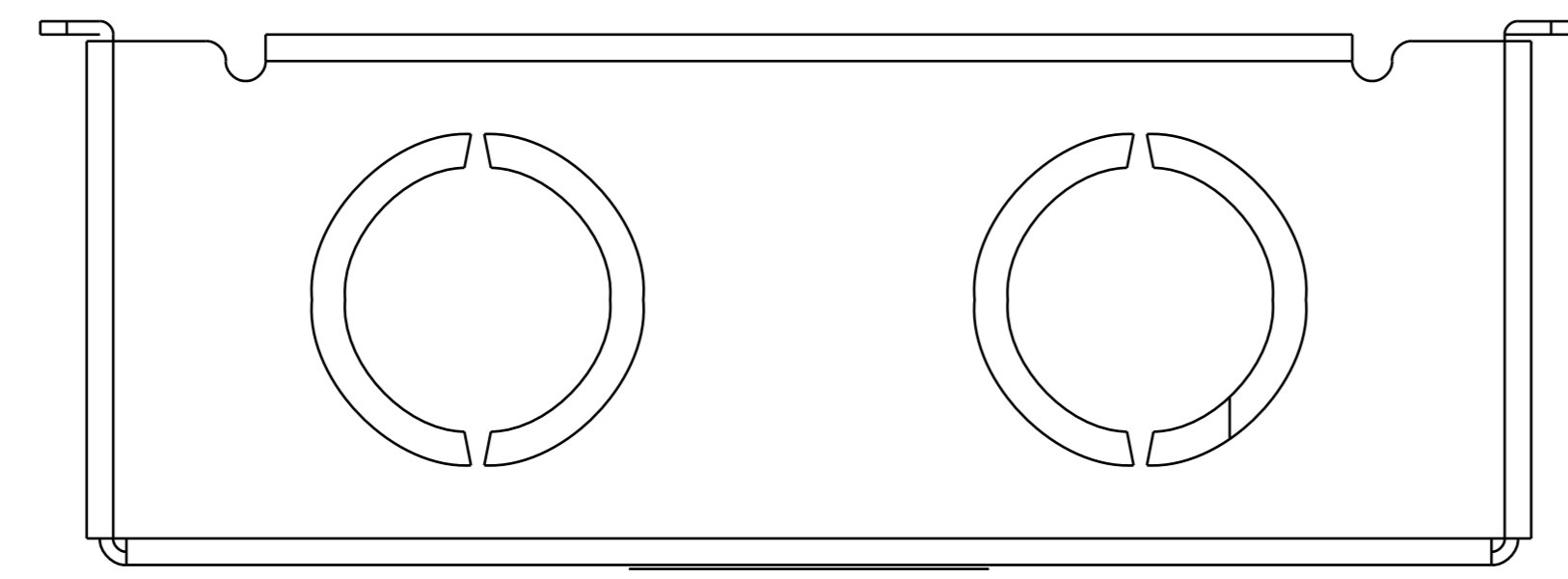
Apr 17, 2023

**Drawing Version**

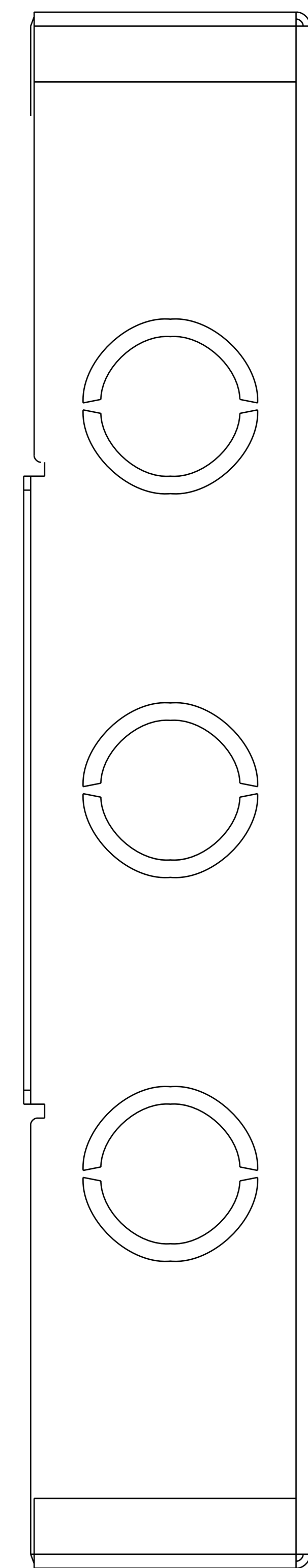
V1.0

**Page**

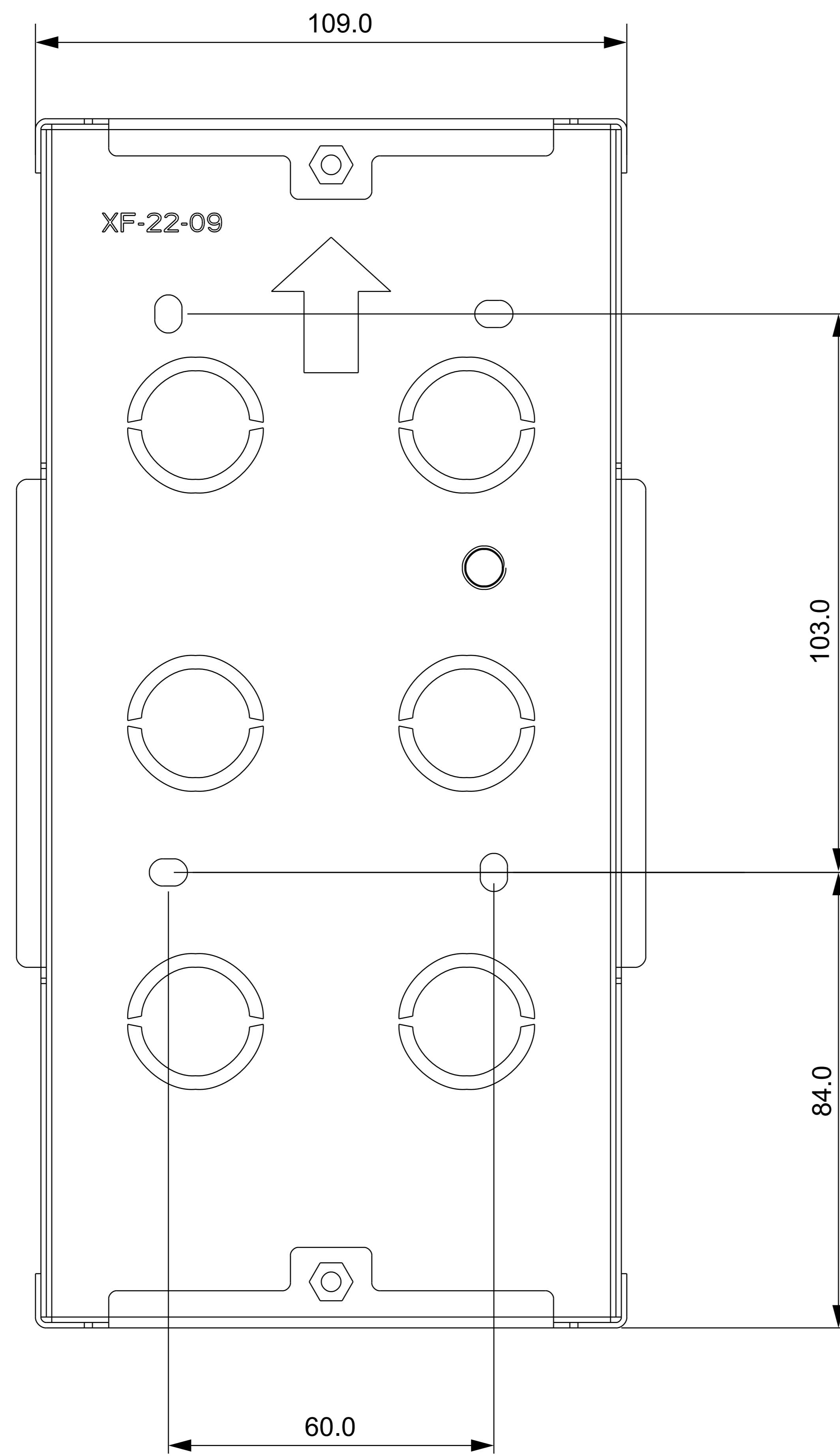
9 of 10



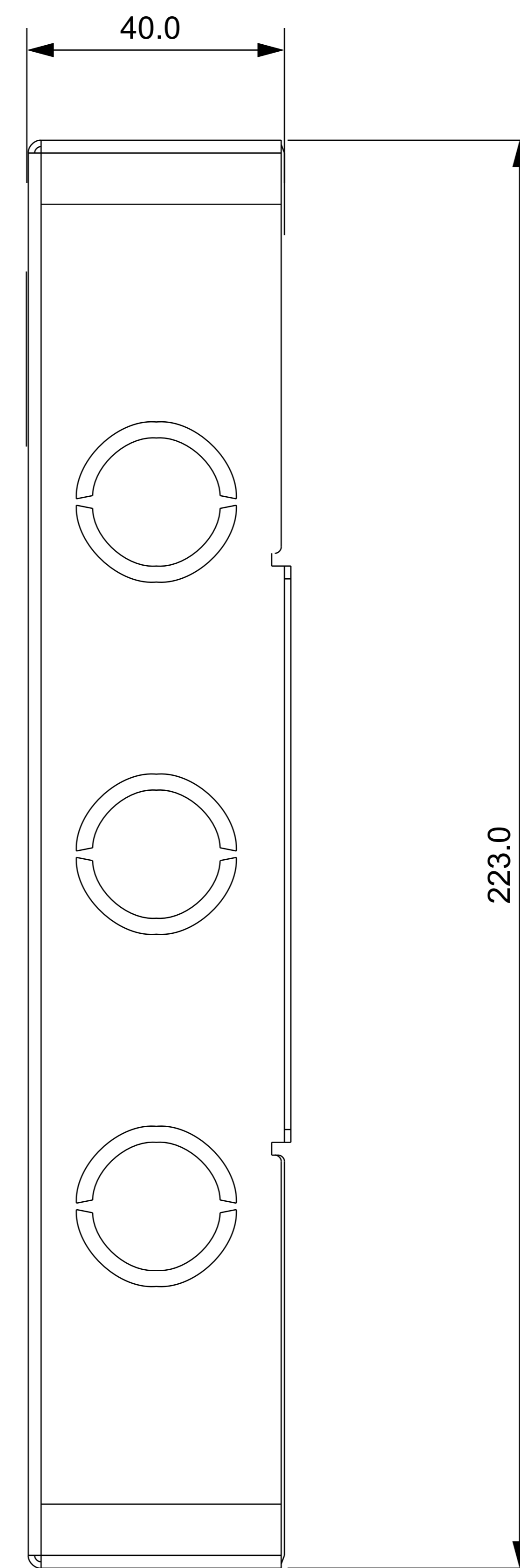
⑥ **BOTTOM VIEW**



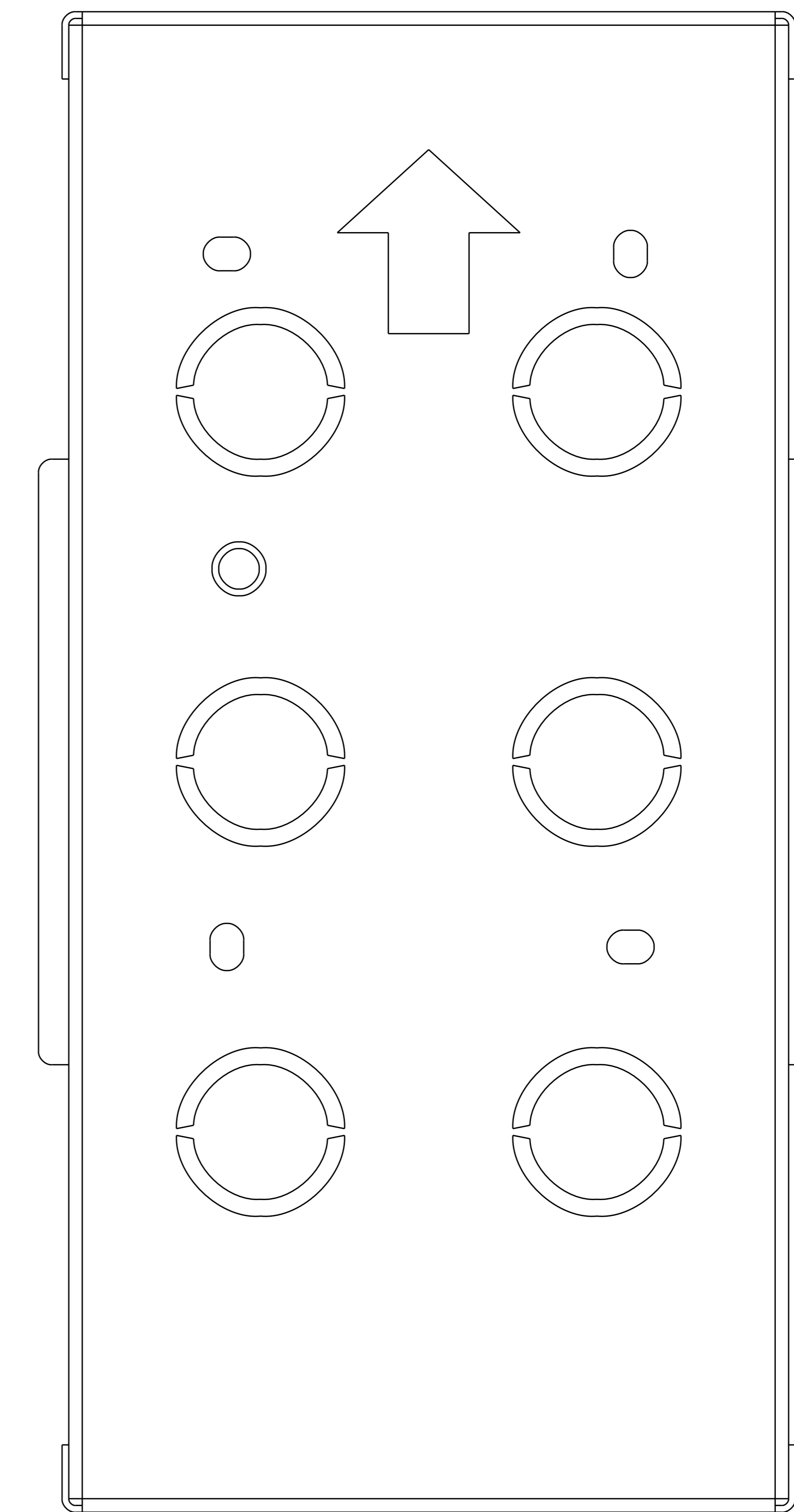
② **RIGHT VIEW**



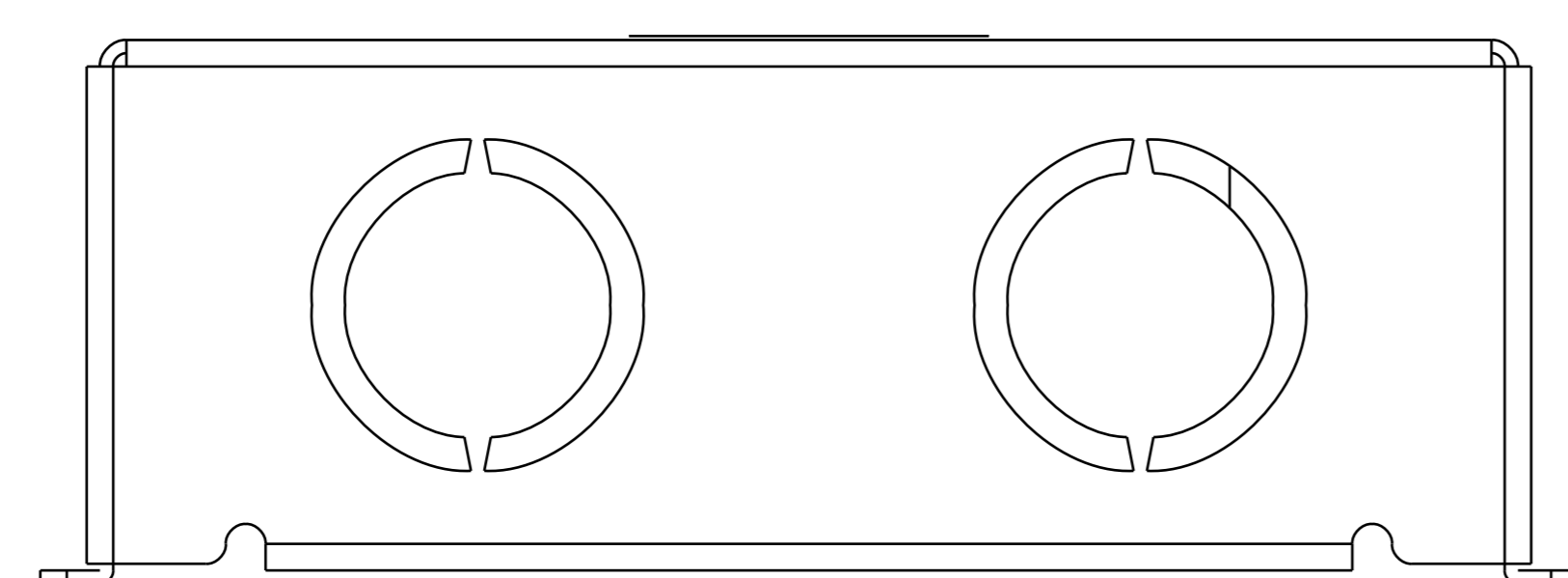
① **FRONT VIEW**



③ **LEFT VIEW**



④ **BACK VIEW**



⑤ **TOP VIEW**

**Applicable Model**

E16

**Drawing Title**

Placement

**Drawing Unit**

mm

**Drawing Scale**

Not to scale

**DRAFT  
SUBJECT TO  
CHANGE**

**Last Revised**

Mar 06, 2023

**Drawing Version**

V1.0

**Page**

10 of 10

