

Applicable Model

R20BX2

Drawing Title

Intercom Panel

Drawing Unit

mm

Drawing Scale

Not to scale

**DRAFT
SUBJECT TO
CHANGE**

Last Revised

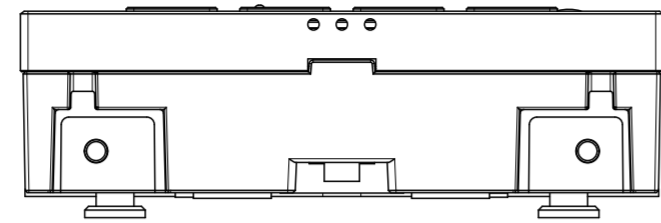
Oct 09,2023

Drawing Version

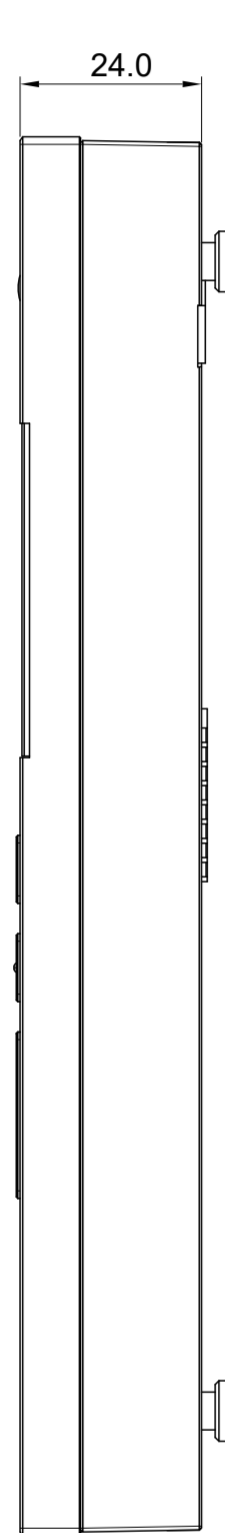
V1.0

Page

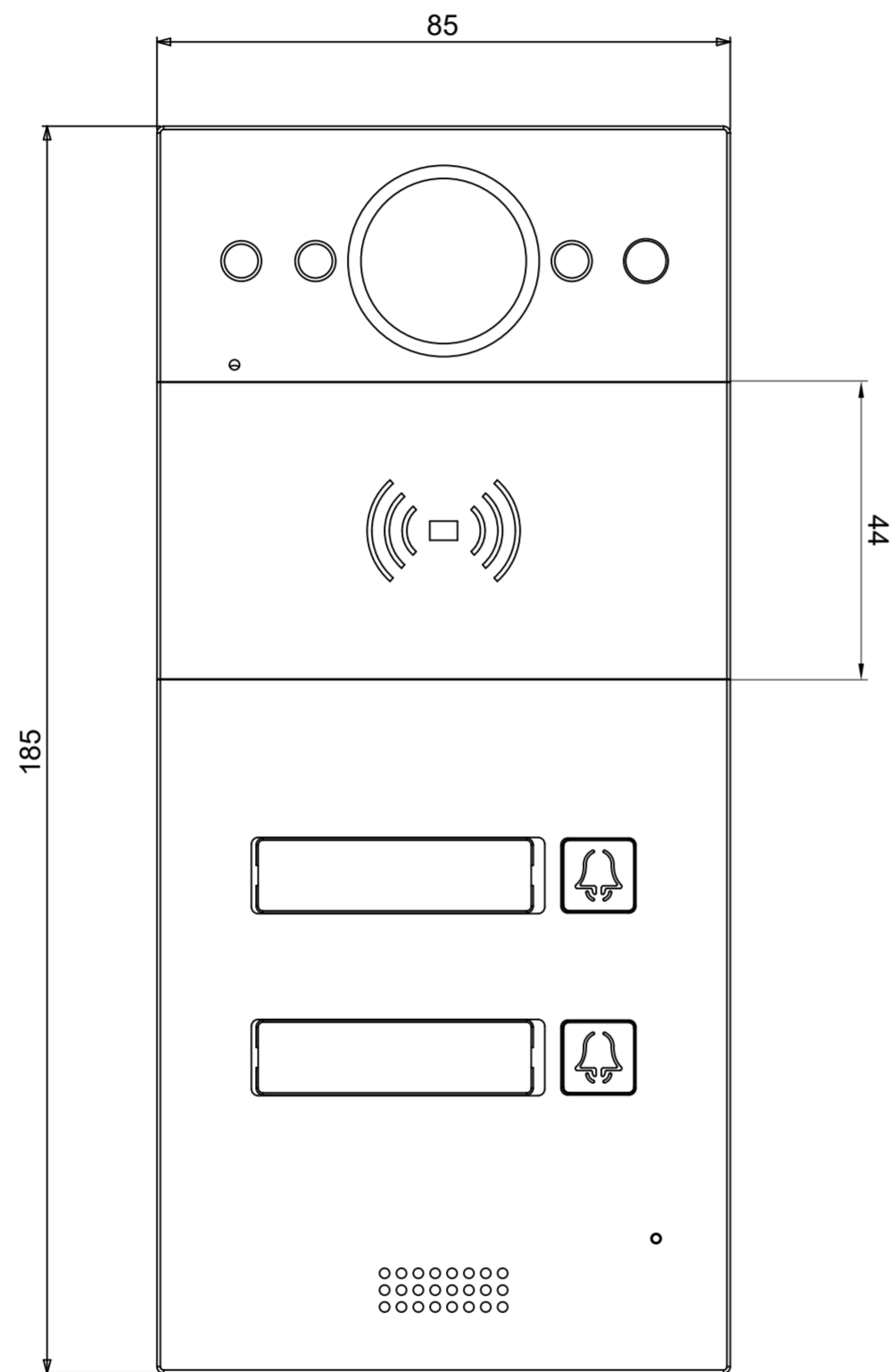
1 of 10



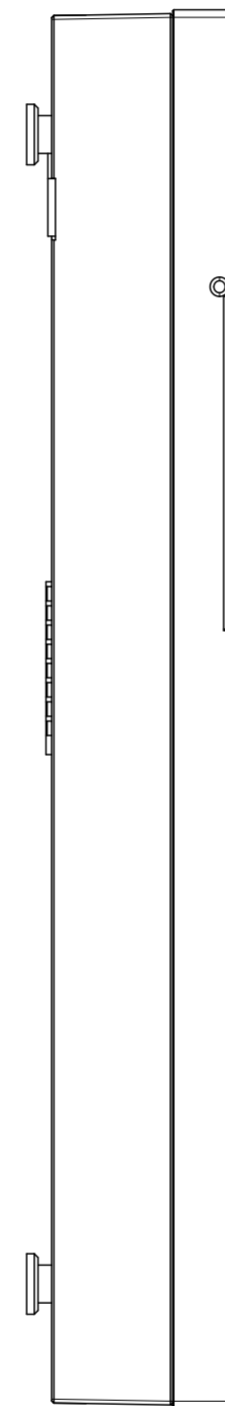
5 TOP VIEW



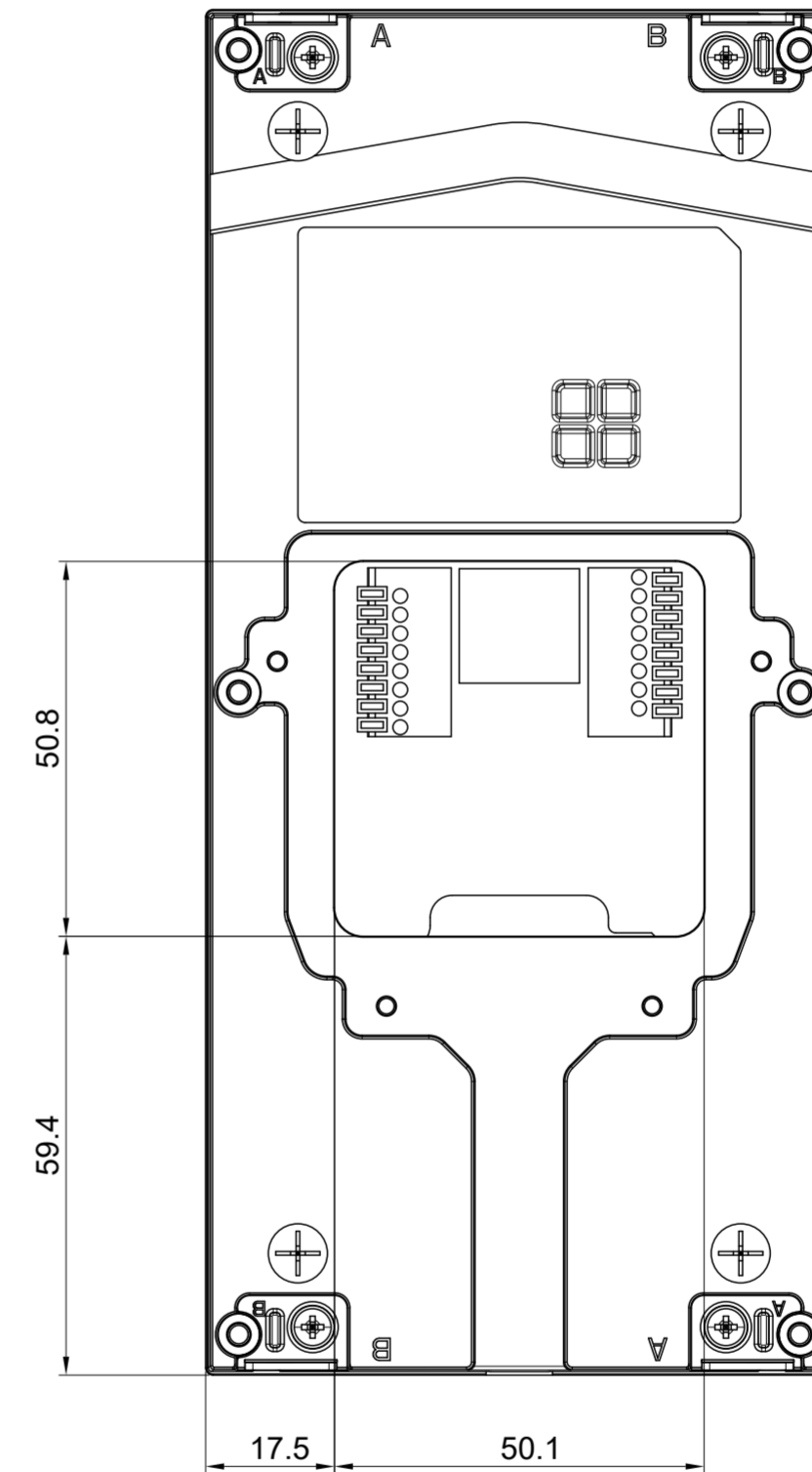
2 RIGHT VIEW



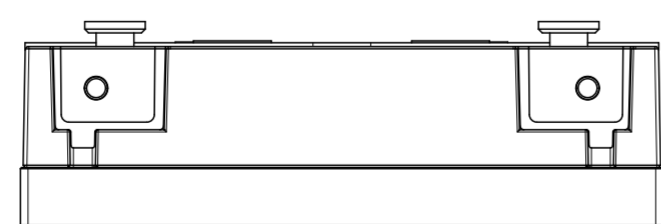
1 FRONT VIEW



3 LEFT VIEW



4 BACK VIEW



6 BOTTOM VIEW

Applicable Model

R20B

Drawing Title

Wall Mounting Bracket

Drawing Unit

mm

Drawing Scale

Not to scale

**DRAFT
SUBJECT TO
CHANGE**

Last Revised

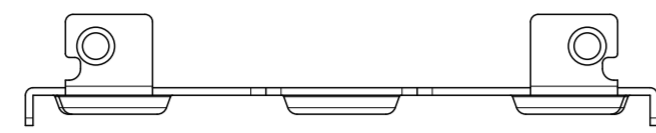
Oct 09, 2023

Drawing Version

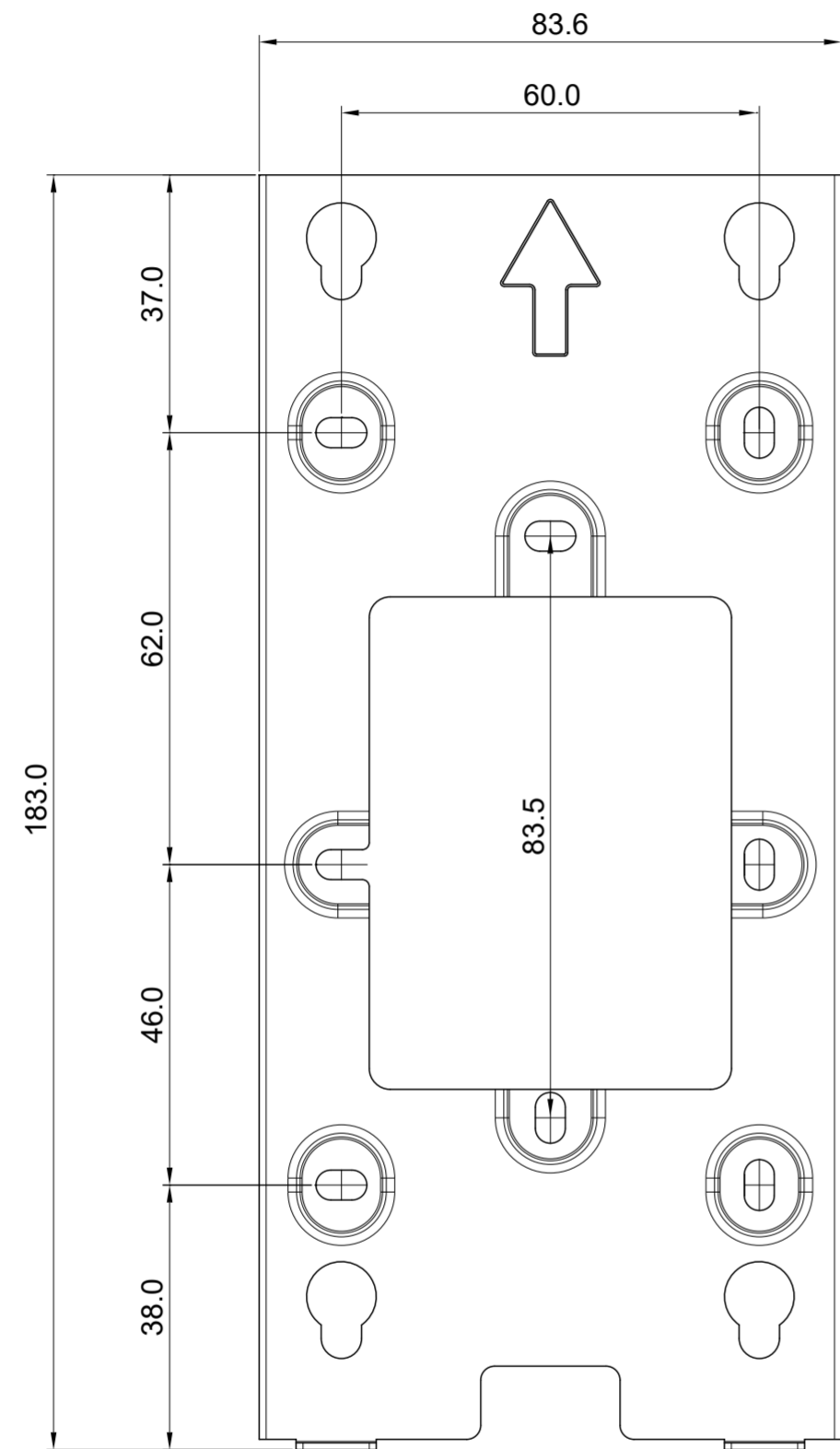
V1.0

Page

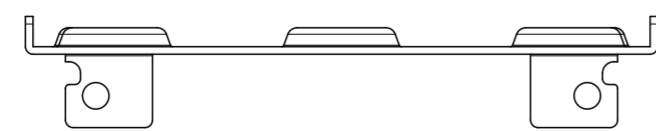
2 of 10



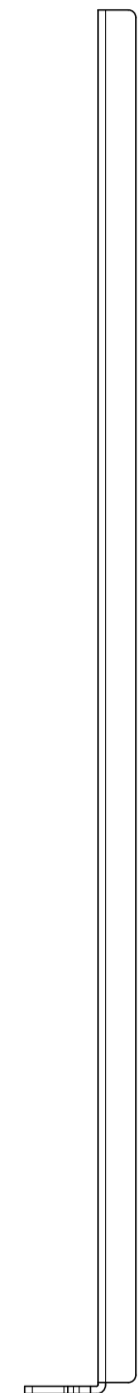
5 TOP VIEW



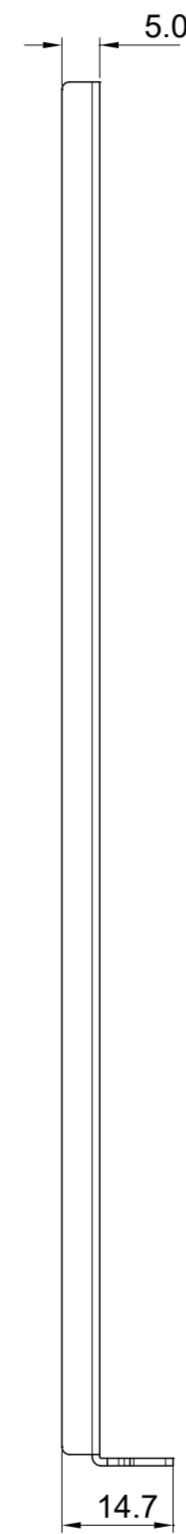
1 FRONT VIEW



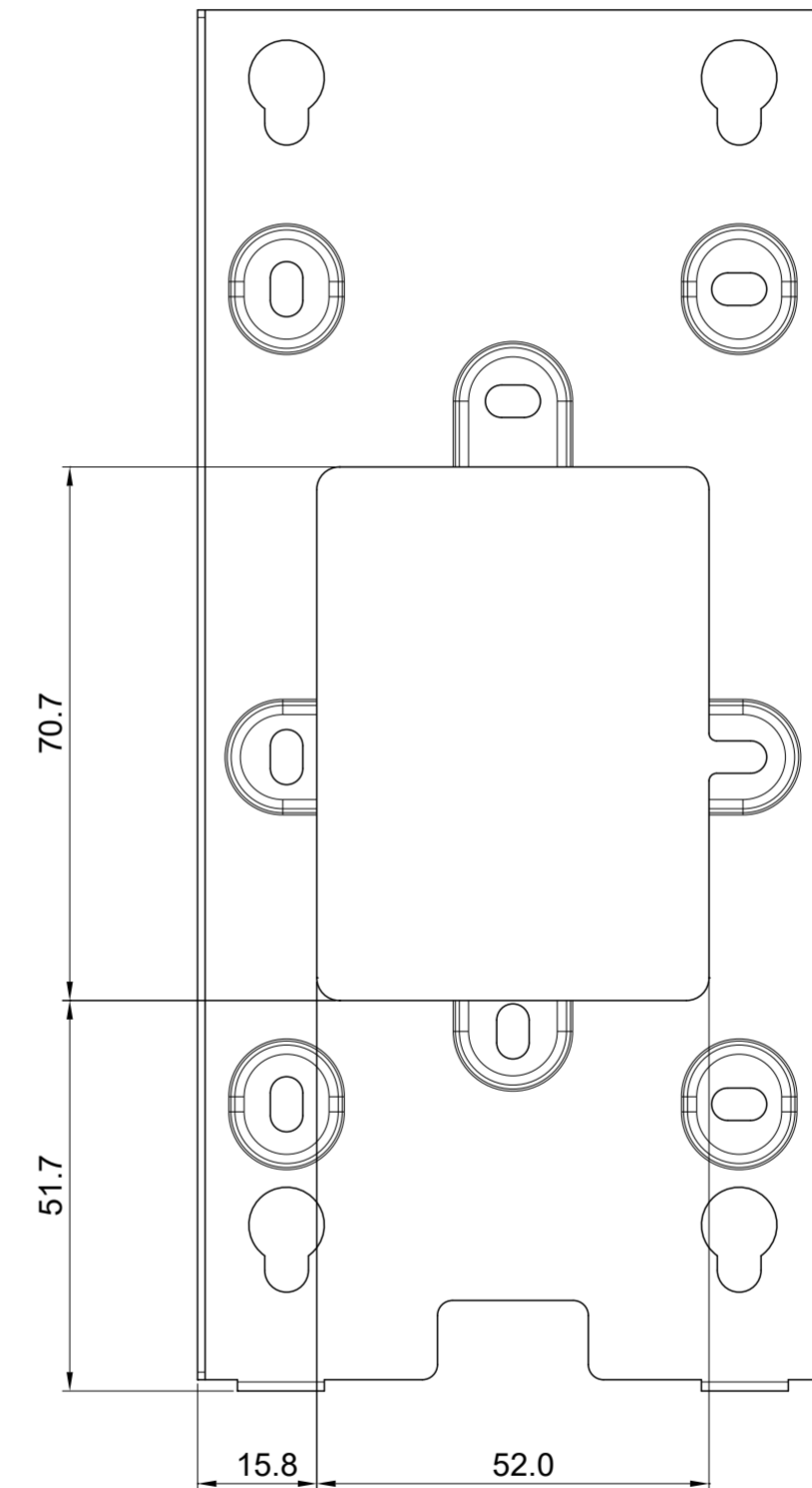
6 BOTTOM VIEW



2 RIGHT VIEW



3 LEFT VIEW



4 BACK VIEW

Applicable Model

R20BX2

Drawing Title

Placement

Drawing Unit

mm

Drawing Scale

Not to scale

**DRAFT
SUBJECT TO
CHANGE**

Last Revised

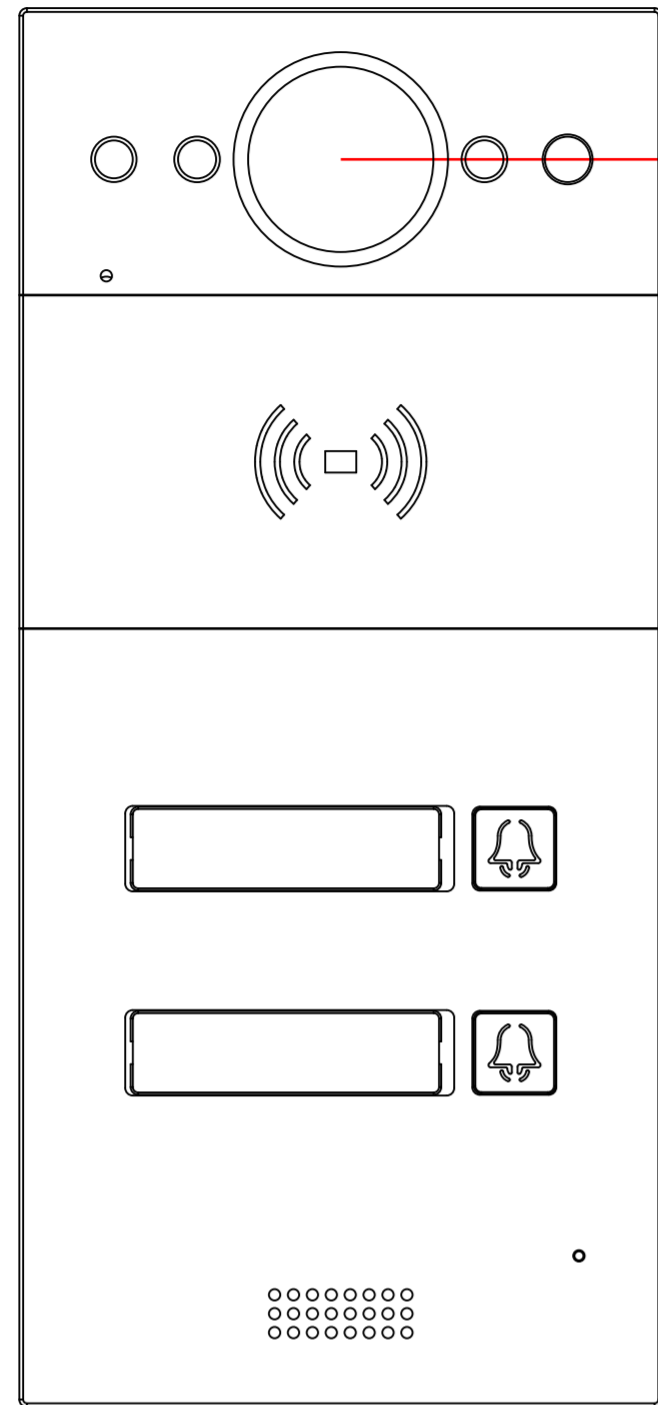
Oct 09,2023

Drawing Version

V1.0

Page

3 of 10

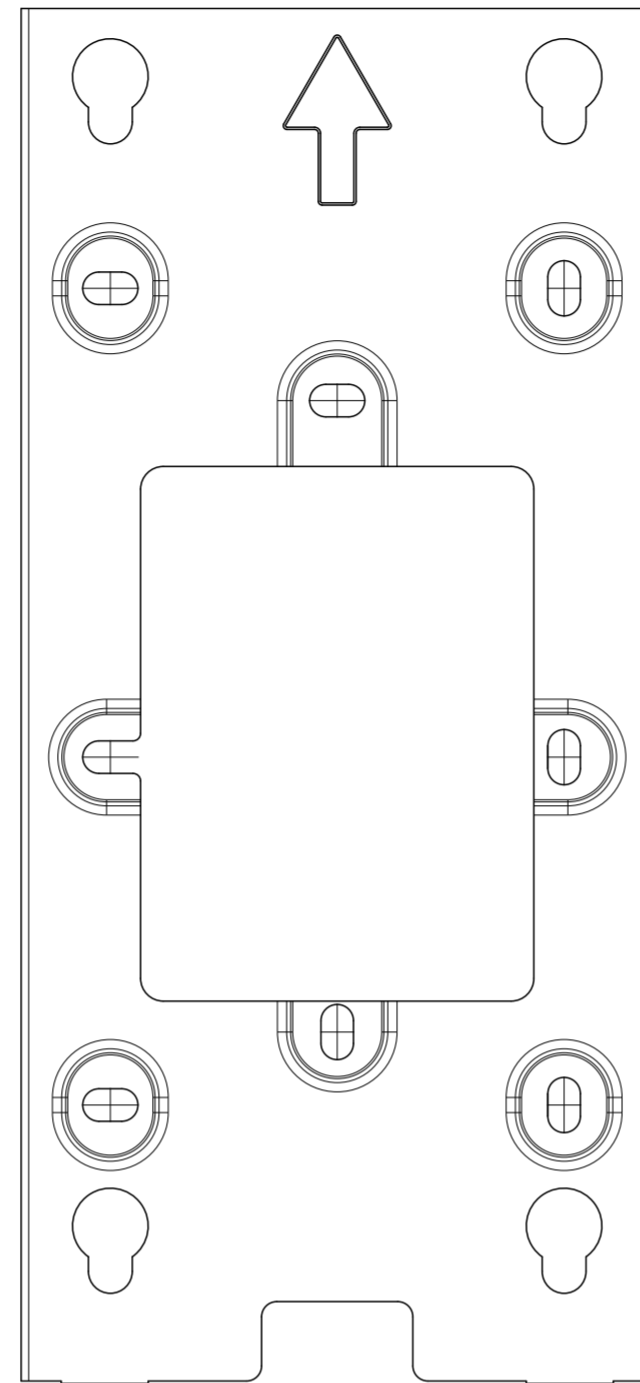


1 INTERCOM PANEL FRONT VIEW

1235mm TO BOTTOM OF PANEL

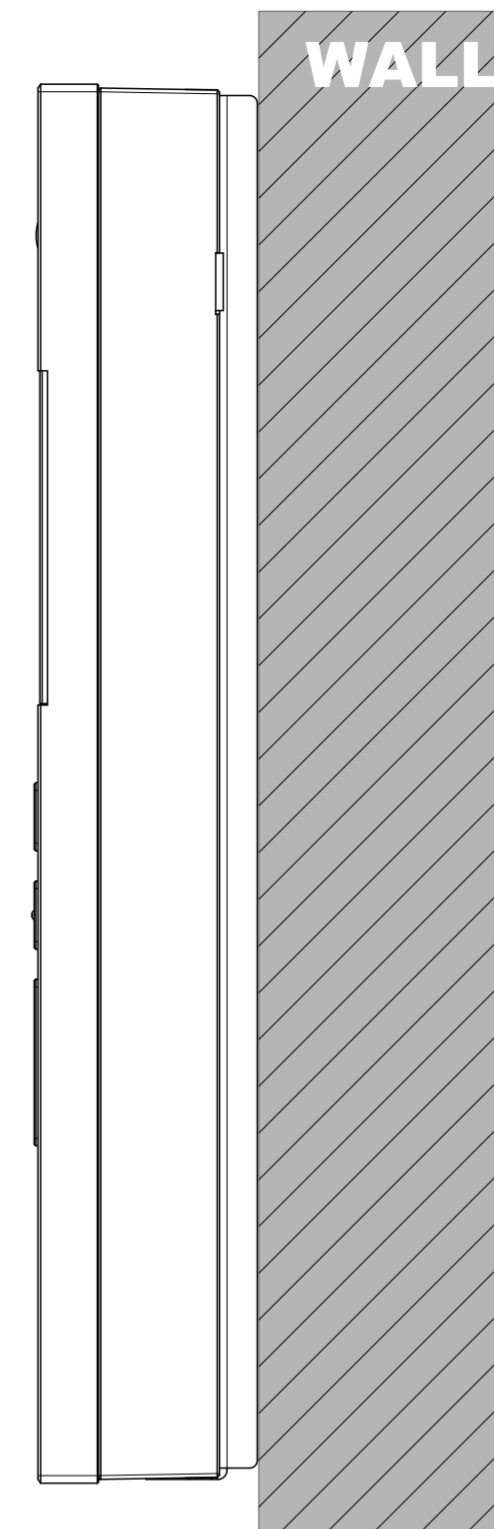
1400mm TO CENTER OF CAMERA

ADA Compliance Requirement



2 FRONT VIEW:WALL MOUNTING BRACKET PLACEMENT

1235mm TO BOTTOM OF BRACKET



3 SIDE VIEW:INTERCOM PANEL ON WALL

WALL

Applicable Model

R20B

Drawing Title

On-Wall Mounting
Rain Cover

Drawing Unit

mm

Drawing Scale

Not to scale

**DRAFT
SUBJECT TO
CHANGE**

Last Revised

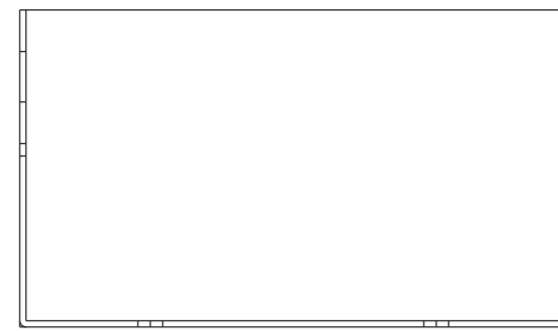
Oct 09,2023

Drawing Version

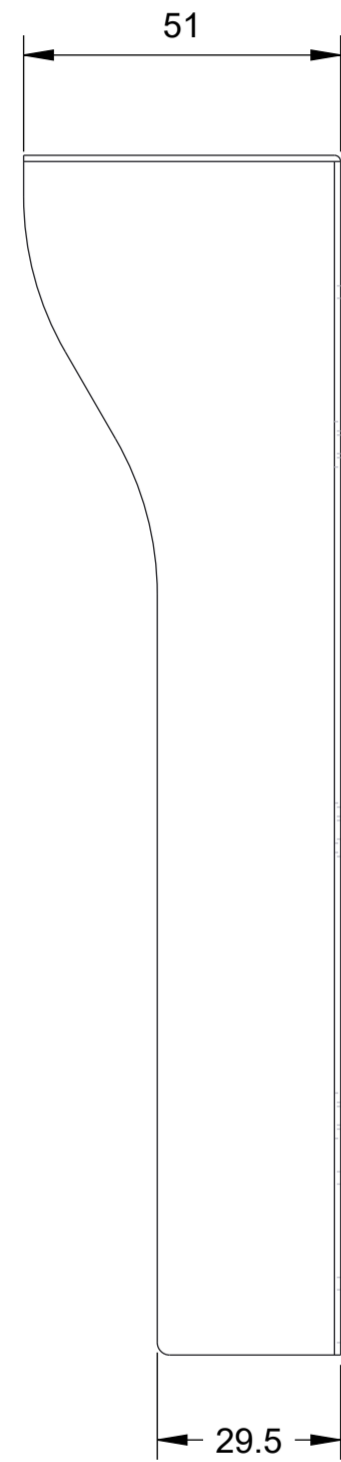
V1.0

Page

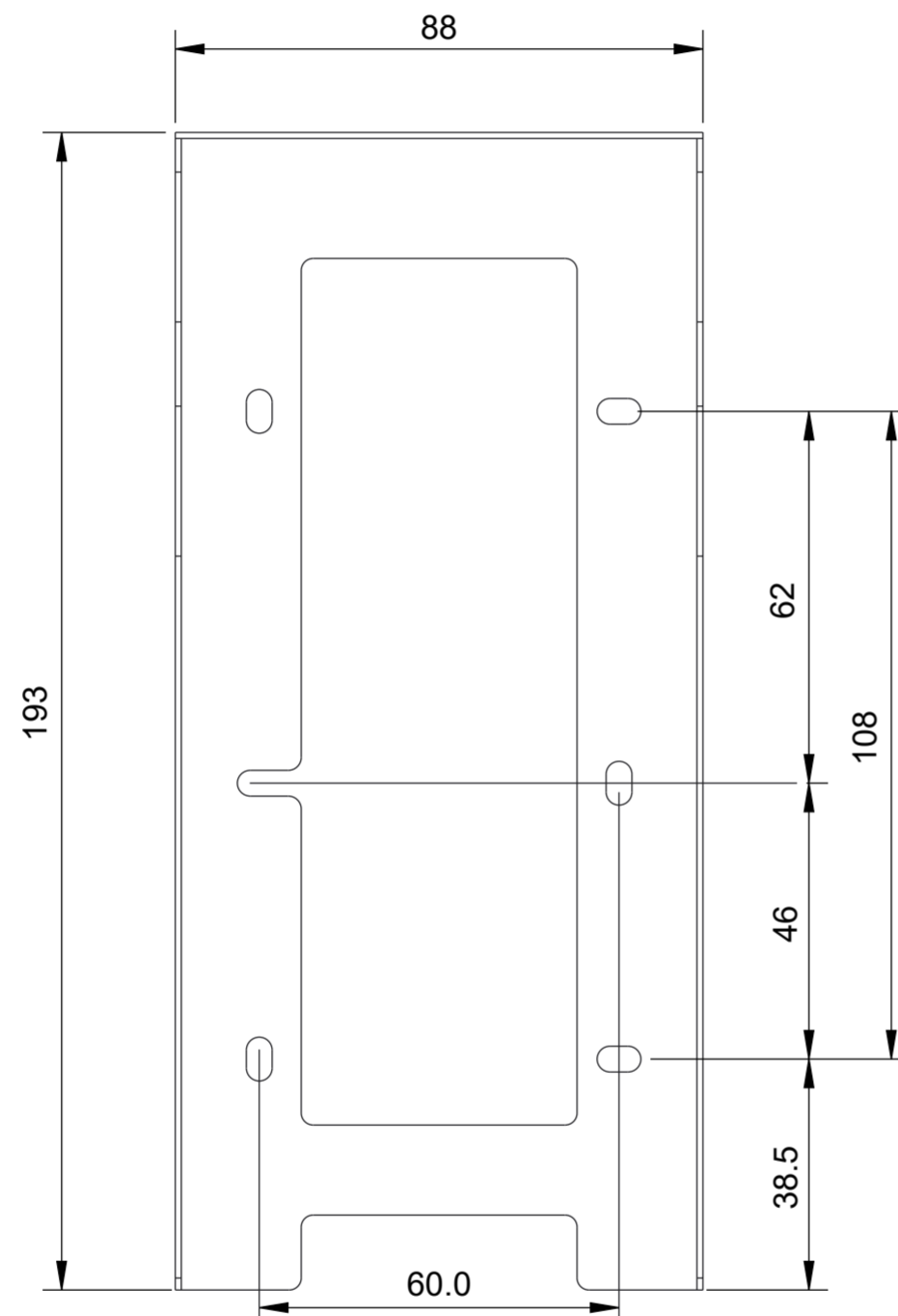
4 of 10



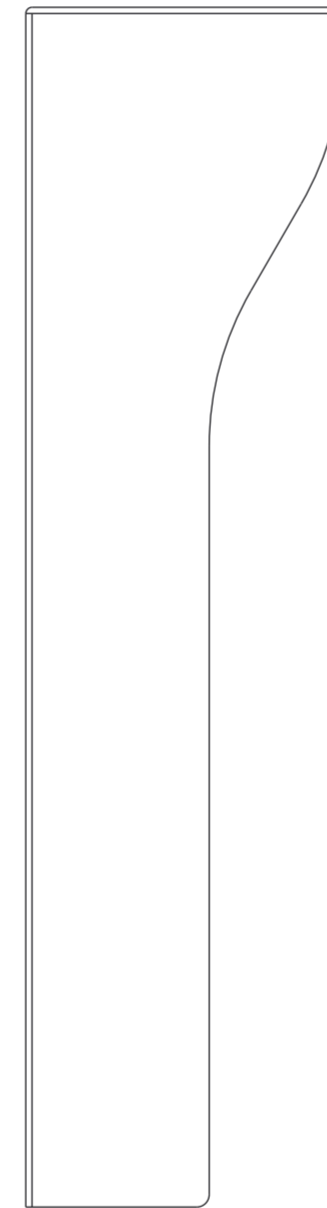
⑥ **BOTTOM VIEW**



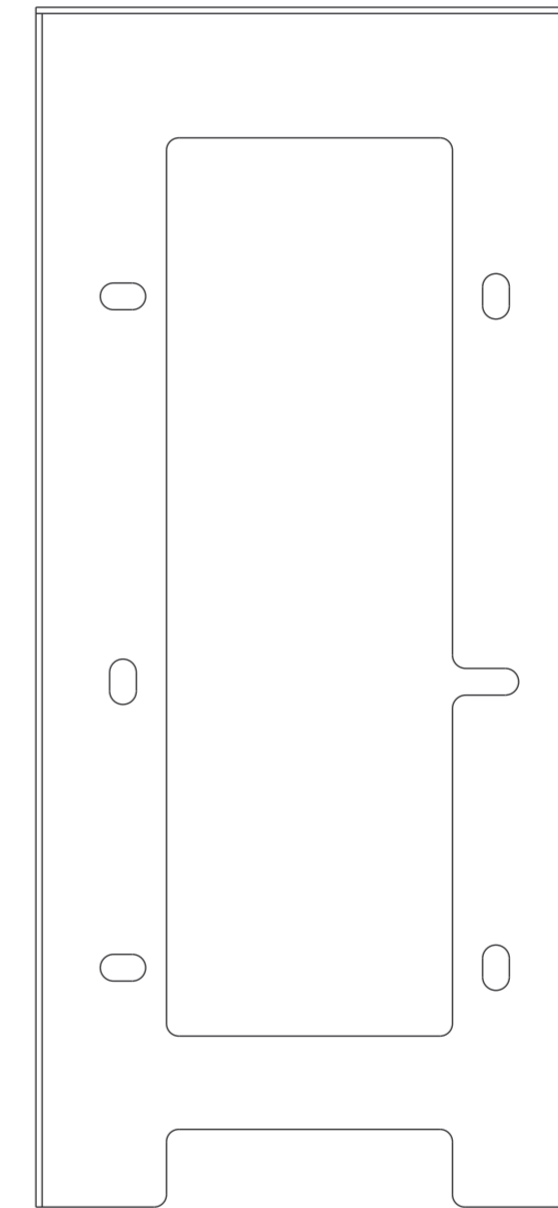
② **RIGHT VIEW**



① **FRONT VIEW**



③ **LEFT VIEW**



④ **BACK VIEW**



⑤ **TOP VIEW**

Applicable Model

R20BX2

Drawing Title

Placement

Drawing Unit

mm

Drawing Scale

Not to scale

**DRAFT
SUBJECT TO
CHANGE**

Last Revised

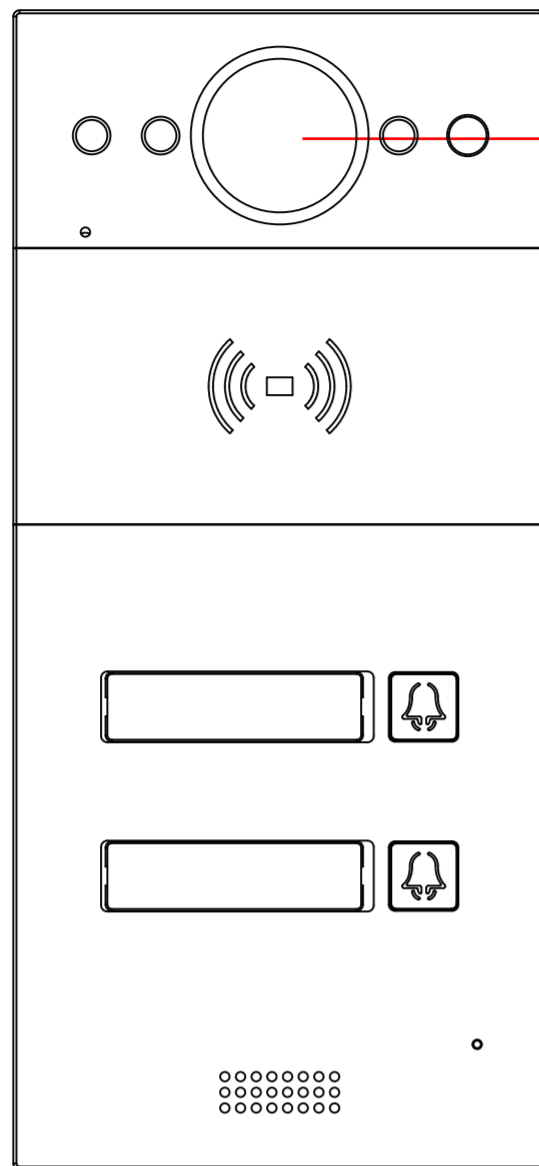
Oct 09,2023

Drawing Version

V1.0

Page

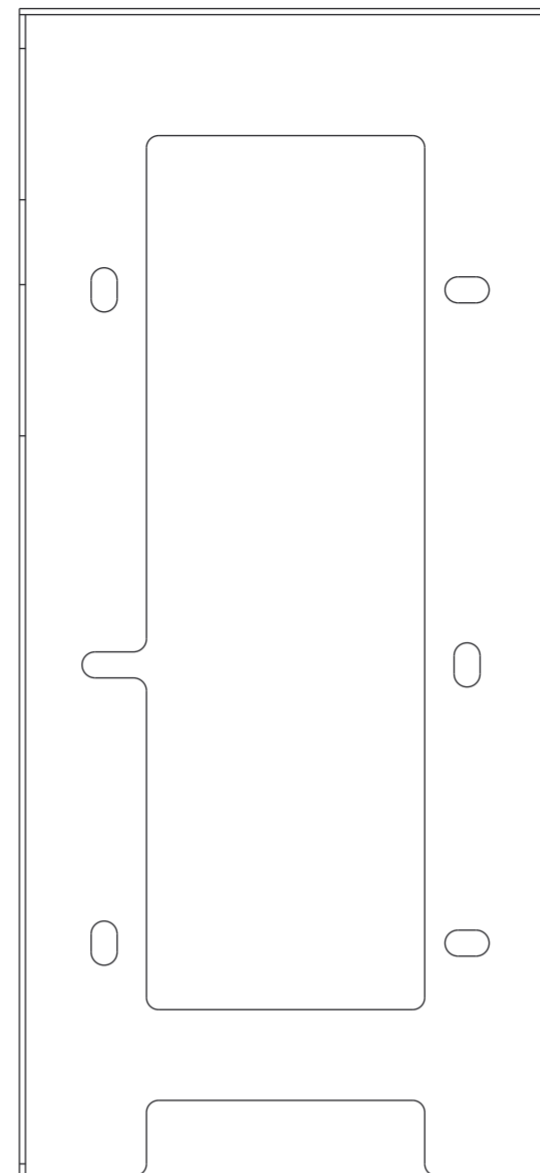
5 of 10



① INTERCOM PANEL FRONT VIEW

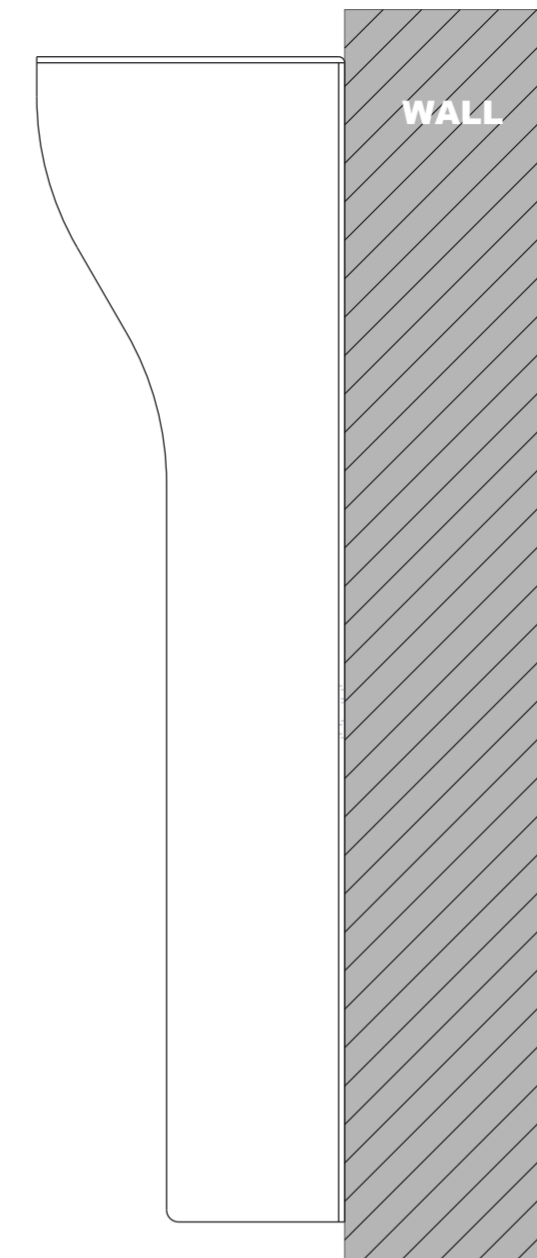
1235mm TO BOTTOM OF PANEL

1400mm TO CENTER OF CAMERA



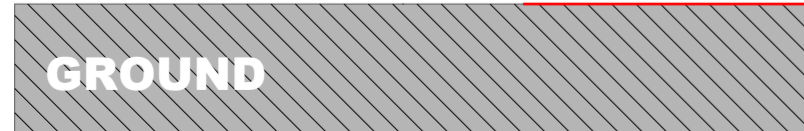
② FRONT VIEW:WALL MOUNTING BRACKET PLACEMENT

1235mm TO BOTTOM OF BRACKET



③ SIDE VIEW:INTERCOM PANEL ON WALL

ADA Compliance Requirement



Applicable Model

R20B

Drawing Title

Decorative Panel

Drawing Unit

mm

Drawing Scale

Not to scale

**DRAFT
SUBJECT TO
CHANGE**

Last Revised

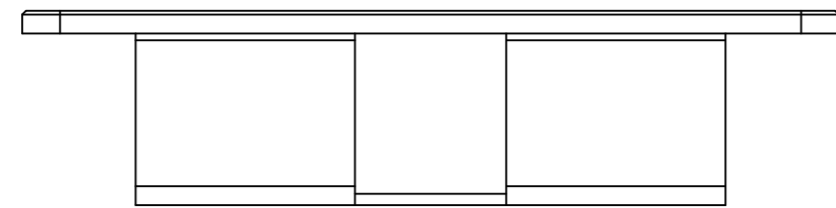
Oct 09,2023

Drawing Version

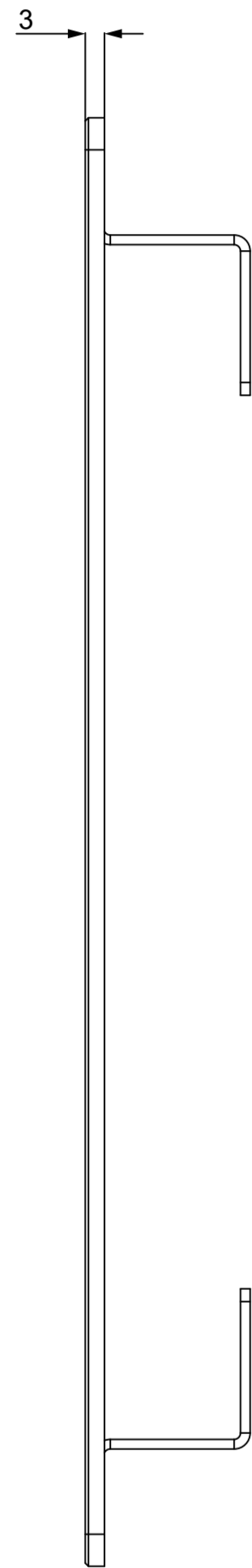
V1.0

Page

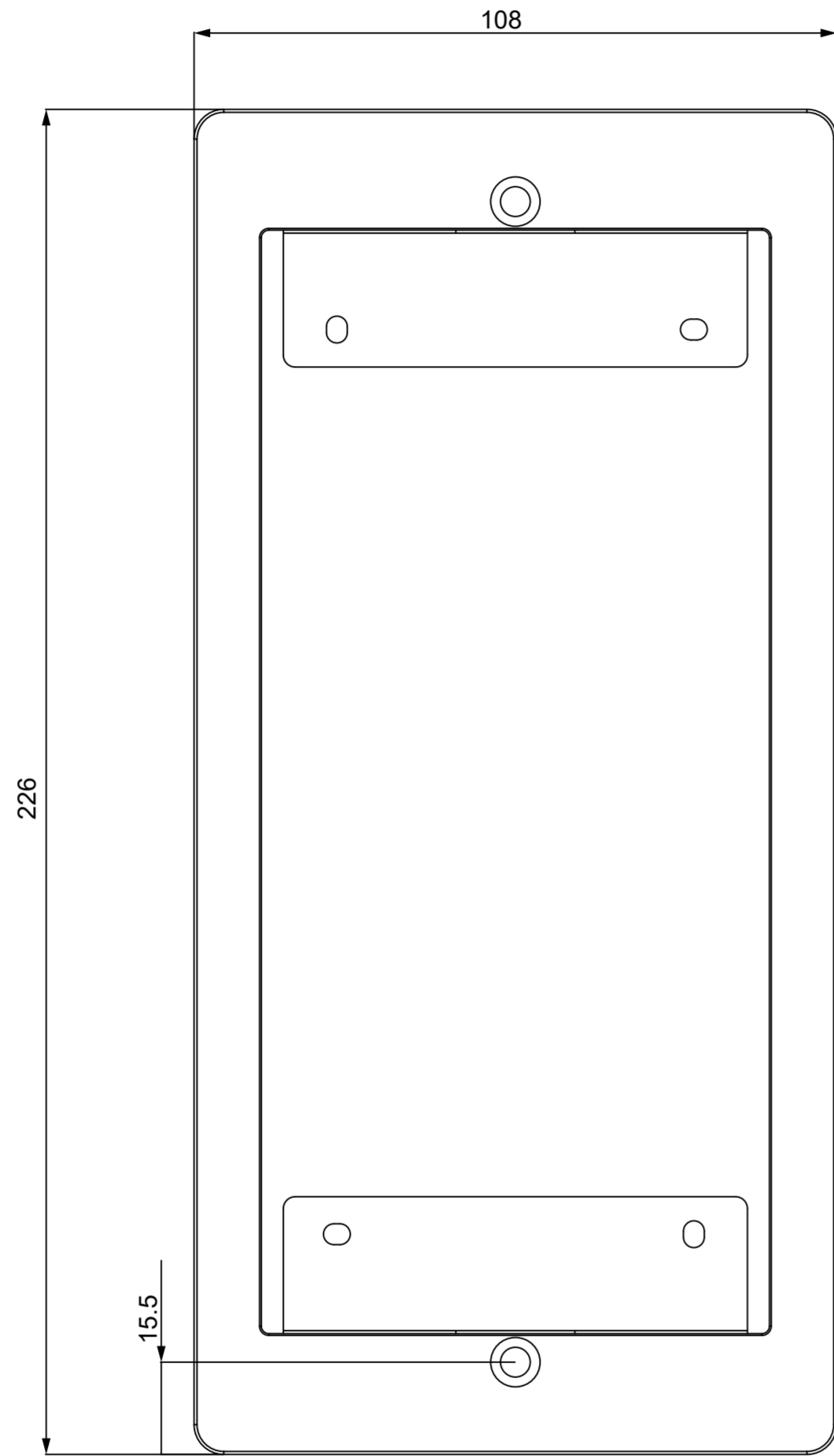
6 of 10



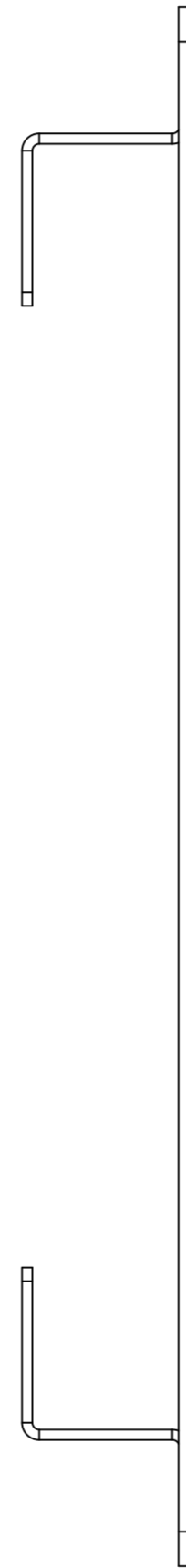
5 TOP VIEW



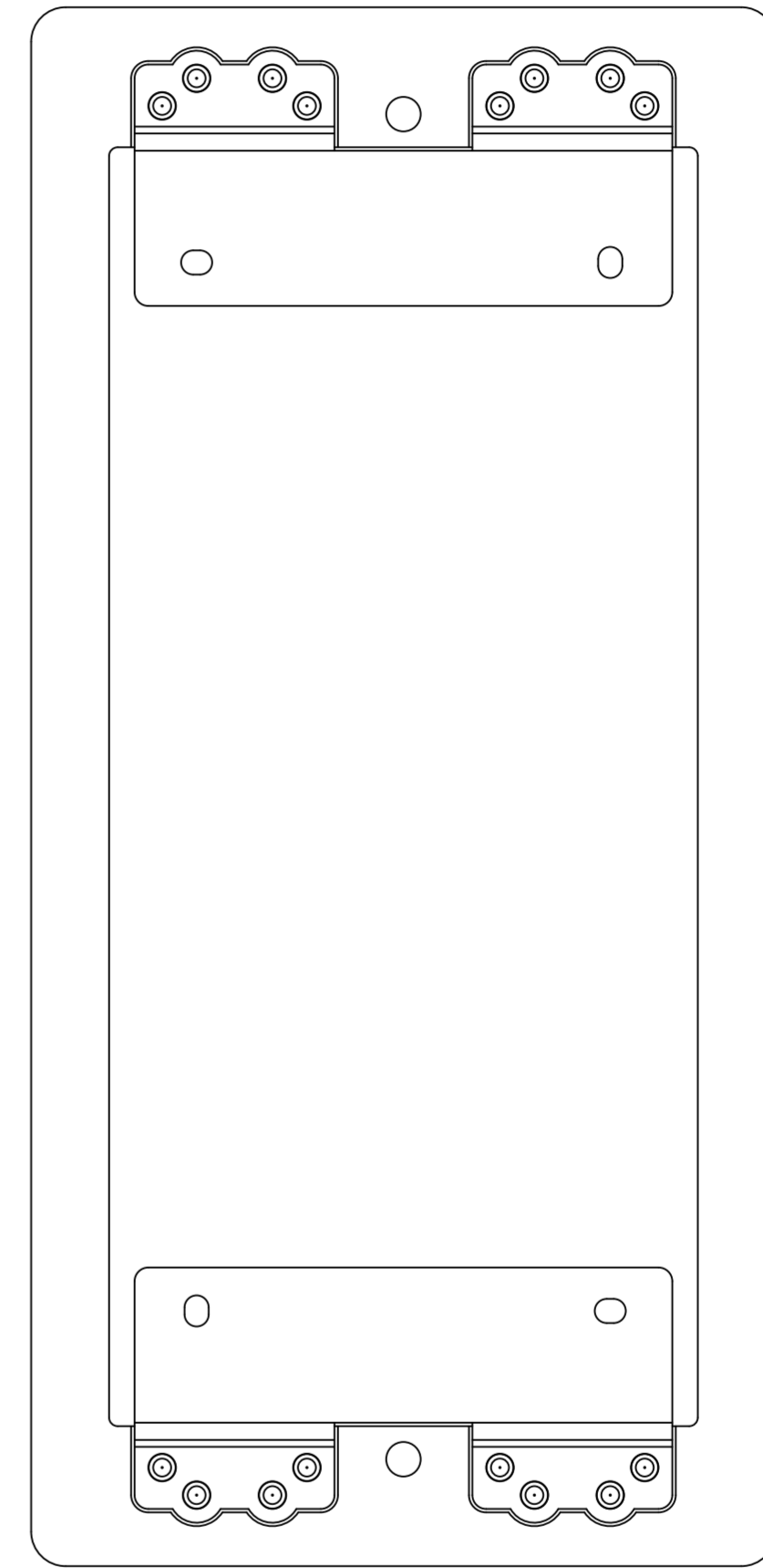
2 RIGHT VIEW



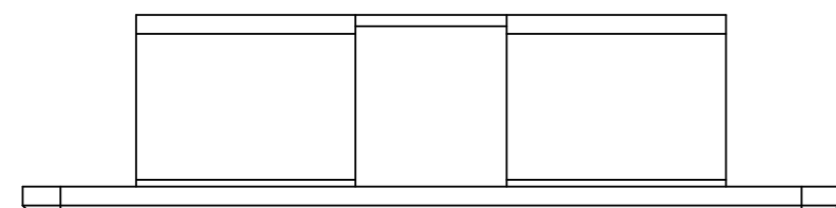
1 FRONT VIEW



3 LEFT VIEW



4 BACK VIEW



6 BOTTOM VIEW

Applicable Model

R20B

Drawing Title

Flush Mounting Box

Drawing Unit

mm

Drawing Scale

Not to scale

**DRAFT
SUBJECT TO
CHANGE**

Last Revised

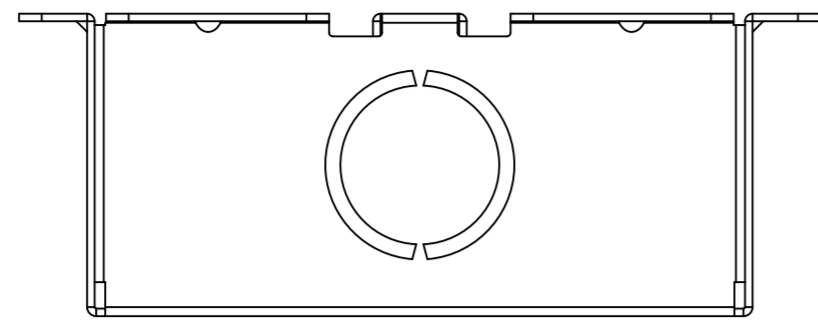
Oct 09,2023

Drawing Version

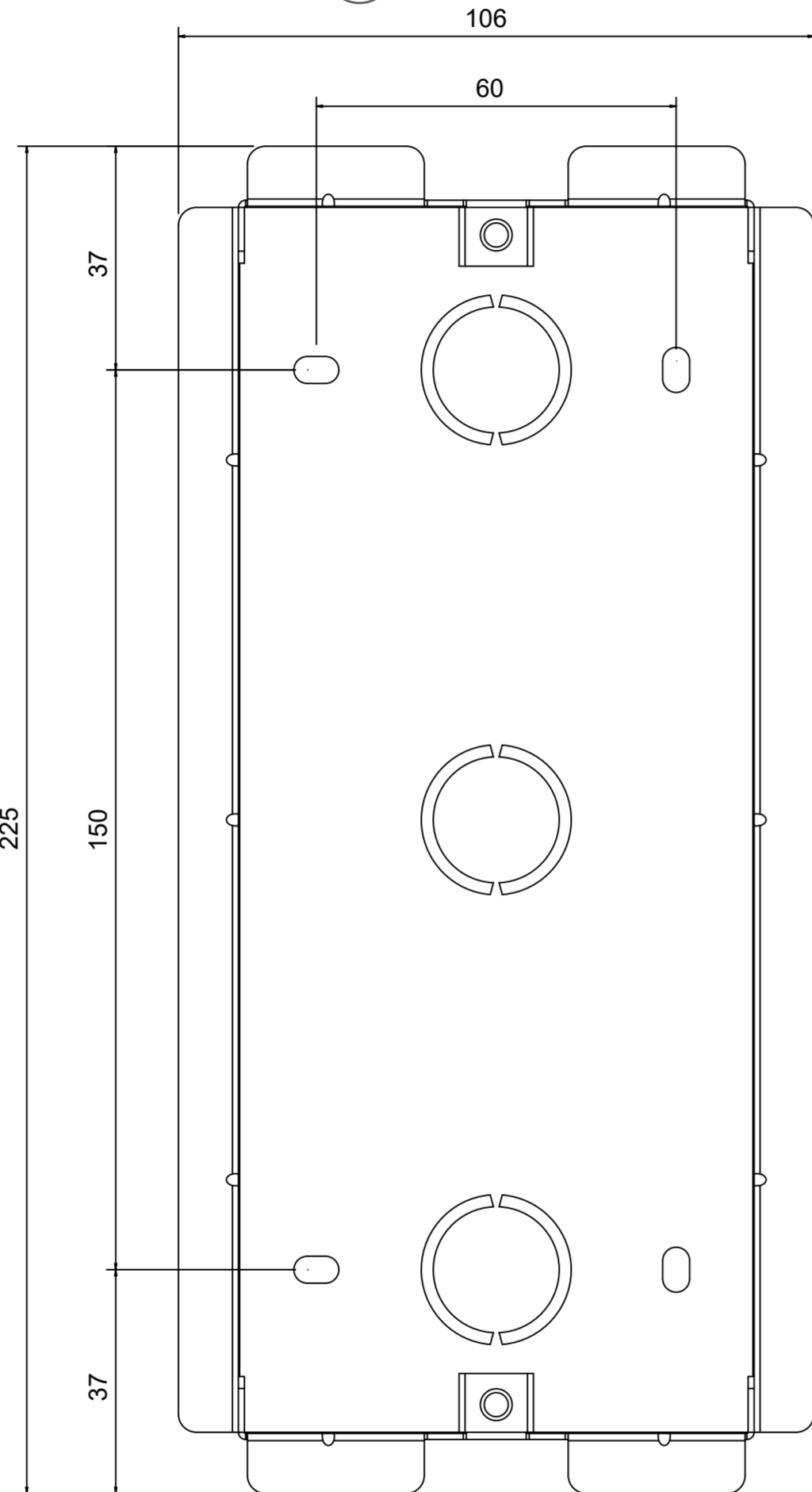
V1.0

Page

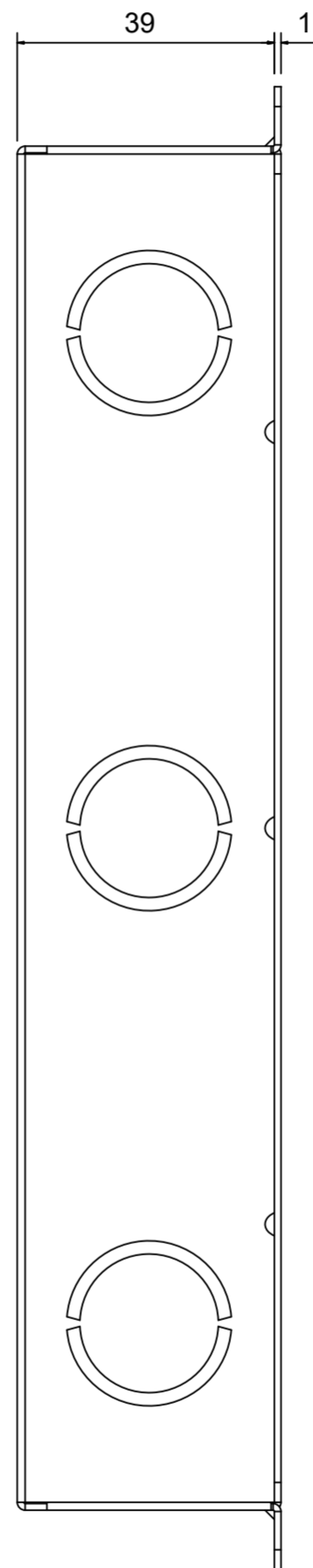
7 of 10



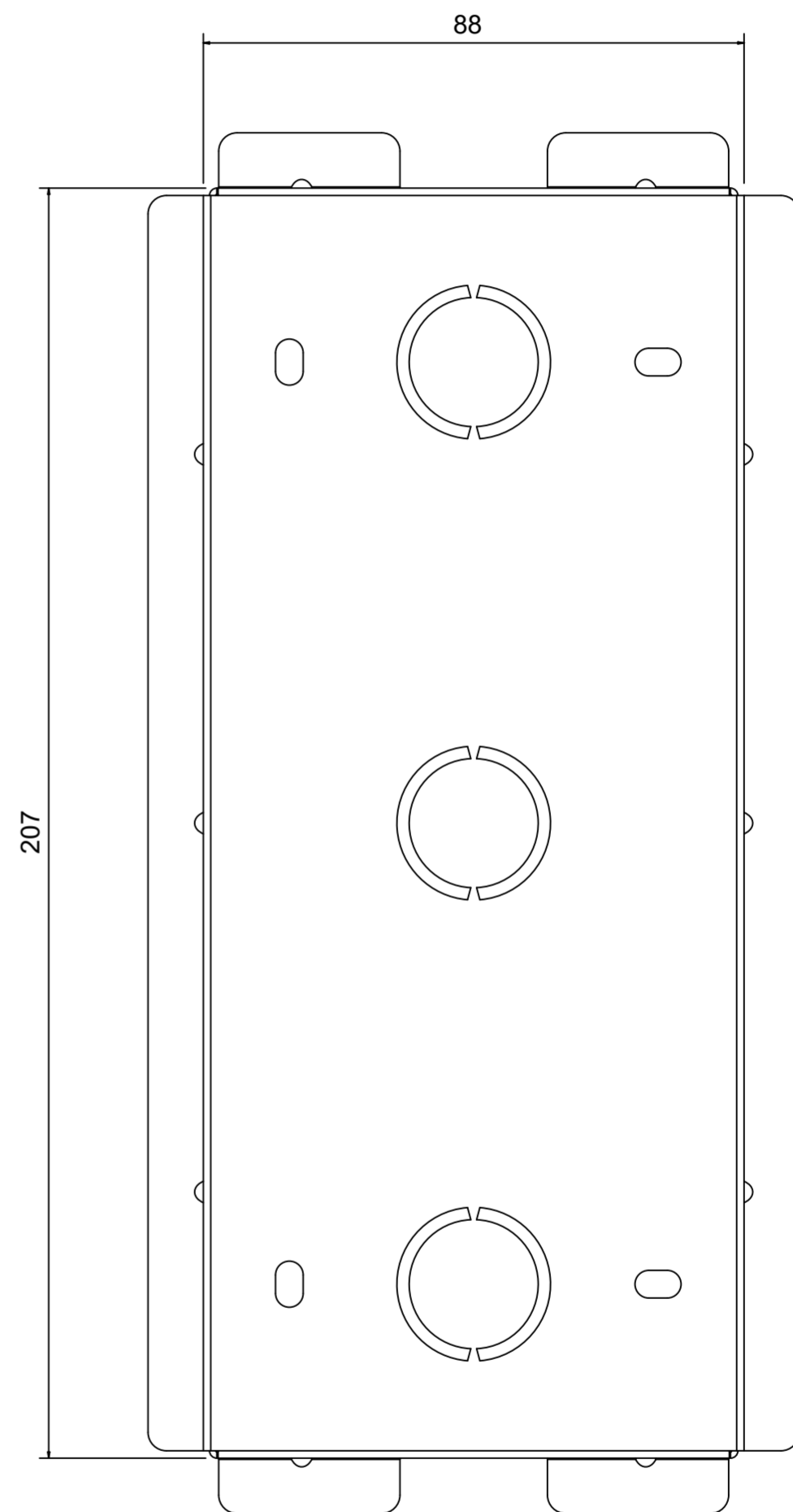
5 TOP VIEW



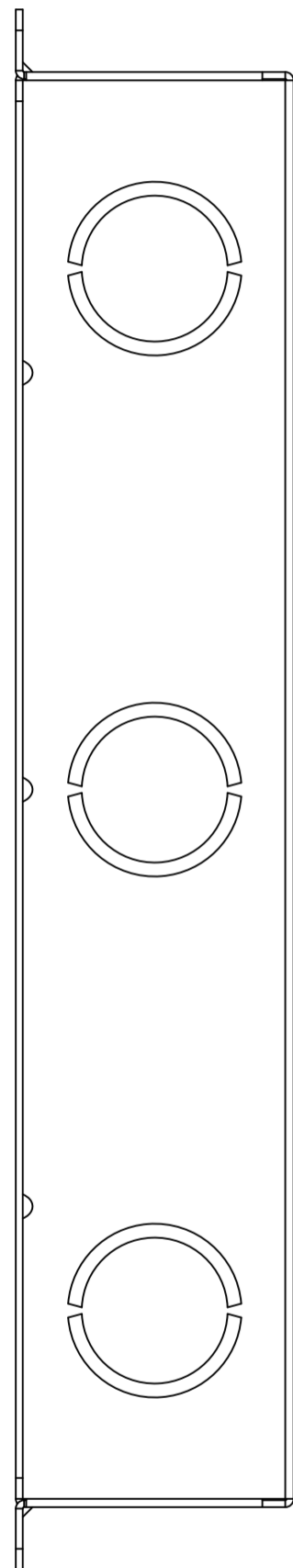
1 FRONT VIEW



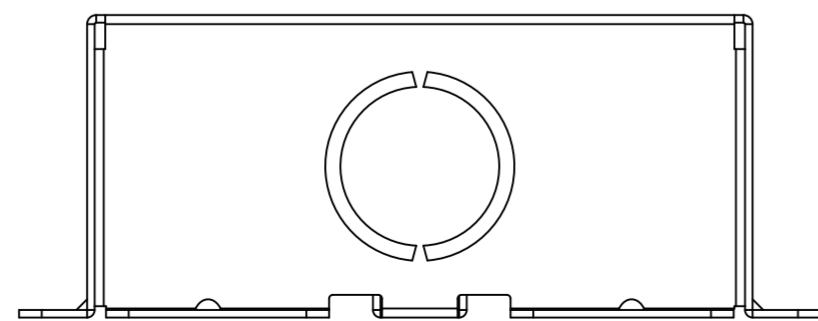
3 LEFT VIEW



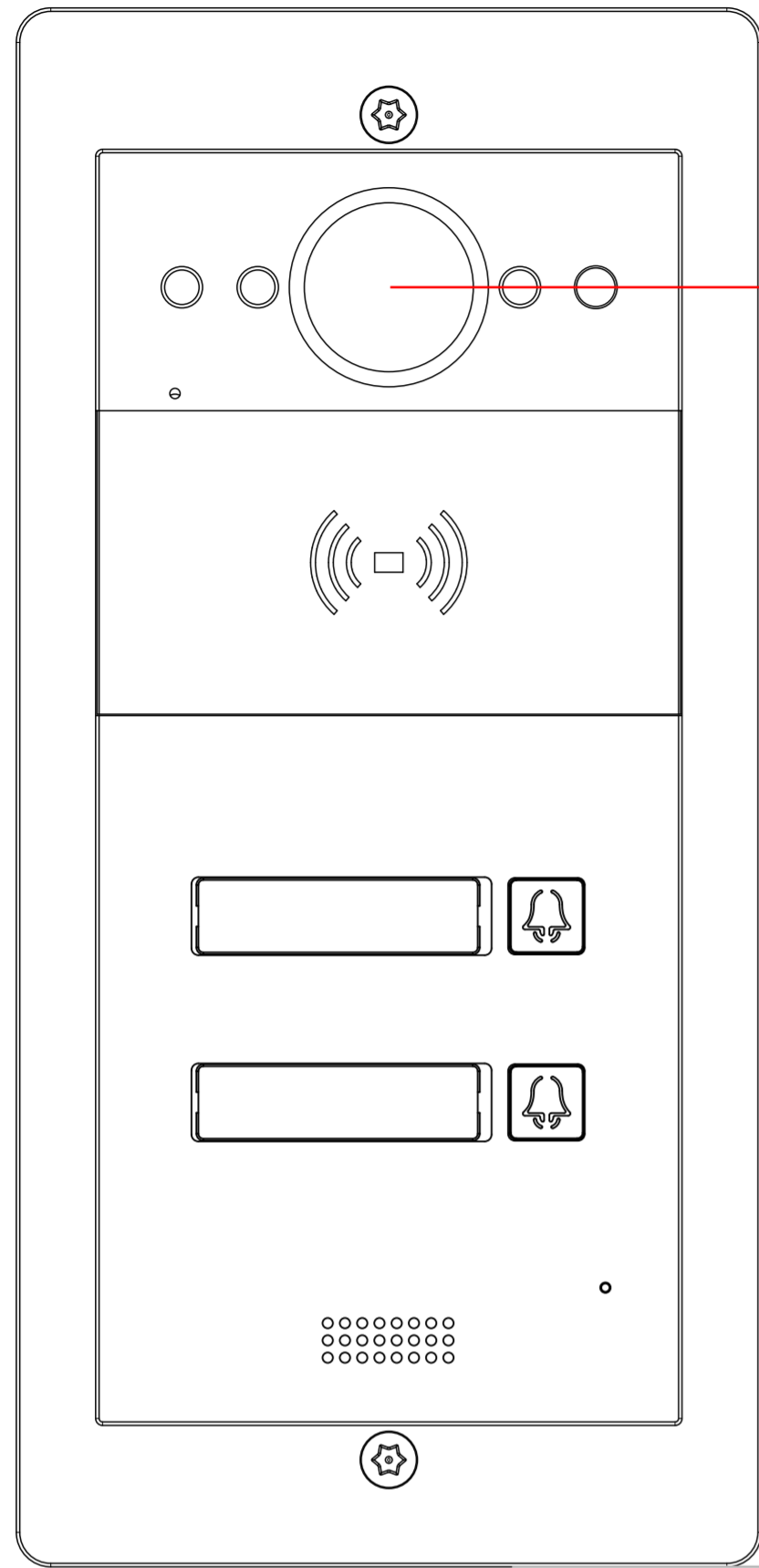
4 BACK VIEW



2 RIGHT VIEW



6 BOTTOM VIEW

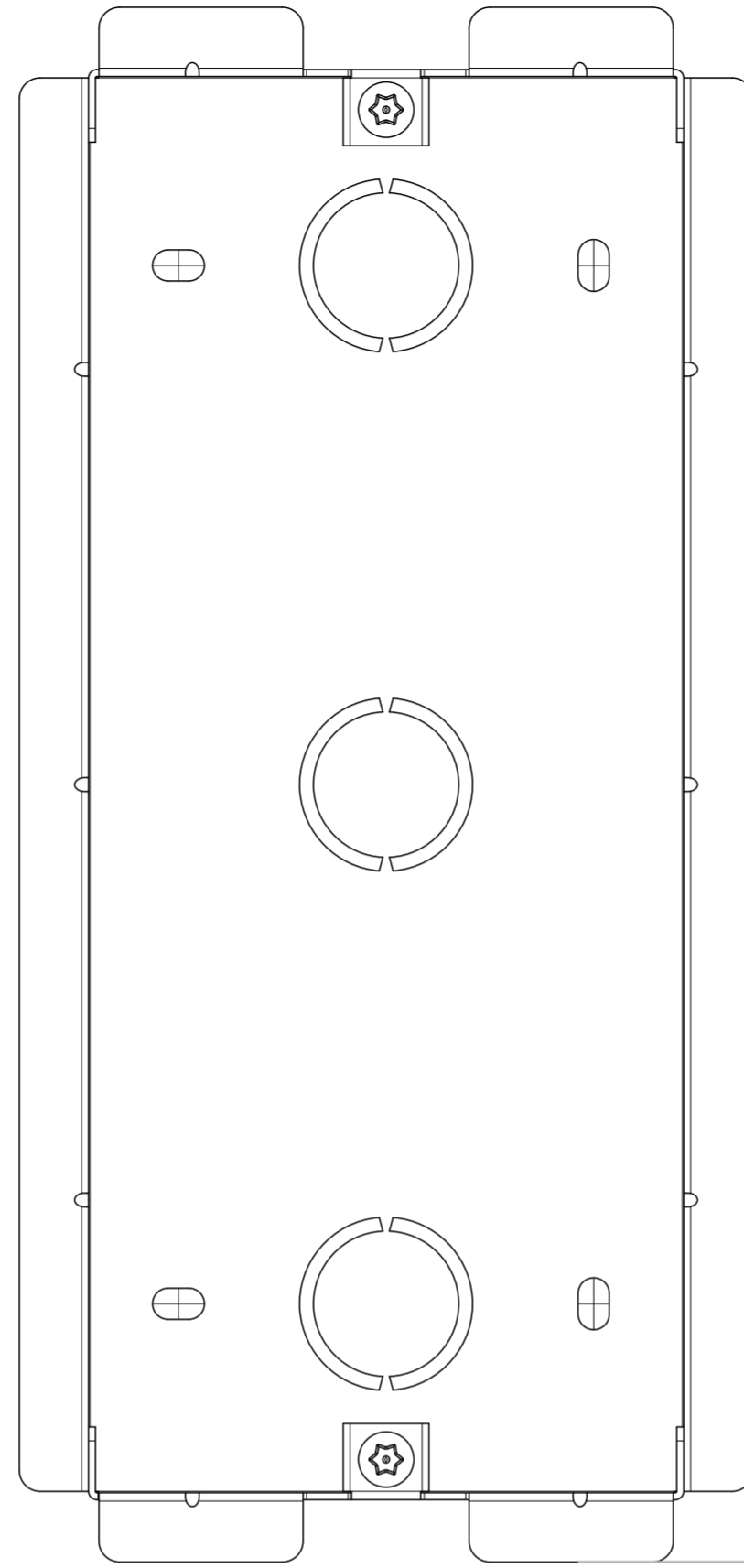


1 INTERCOM PANEL FRONT VIEW

1214.5mm TO BOTTOM OF BRACKET

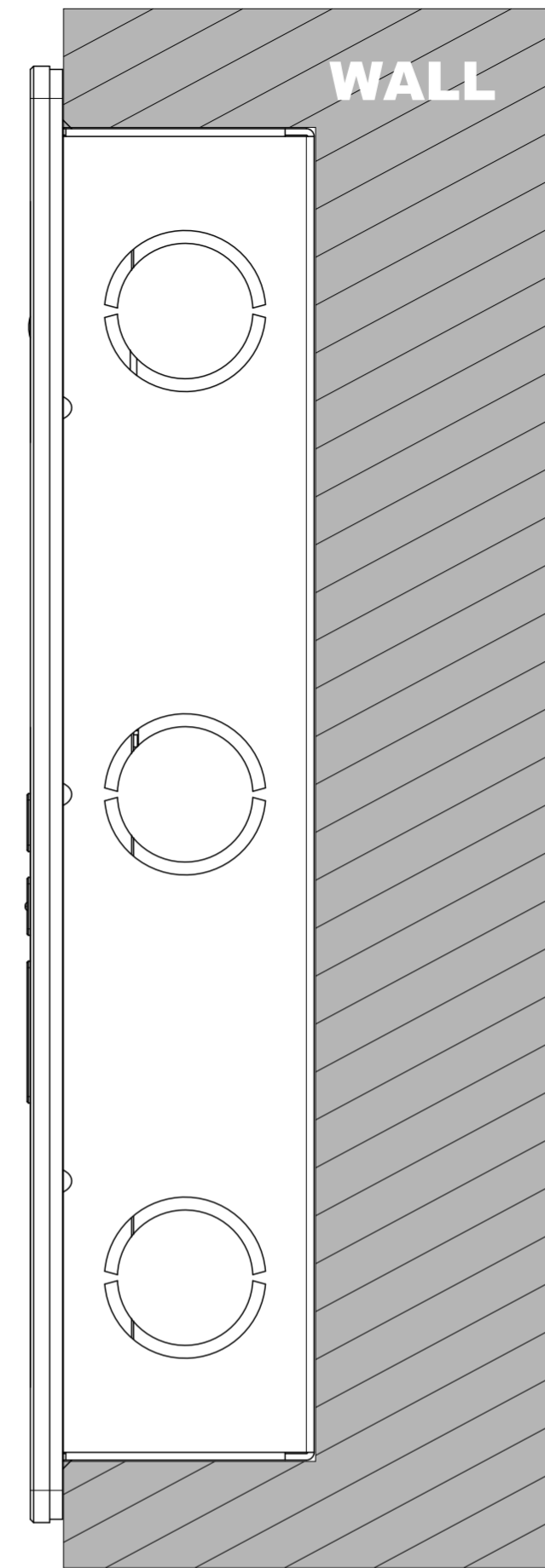
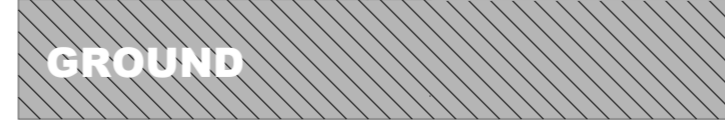
1400mm TO CENTER OF CAMERA

ADA Compliance Requirement



2 FRONT VIEW: FLUSHING MOUNTING BOX PLACEMENT

1215mm TO BOTTOM OF BRACKET



3 SIDE VIEW: INTERCOM PANEL IN WALL

Applicable Model

R20BX2

Drawing Title

Placement

Drawing Unit

mm

Drawing Scale

Not to scale

**DRAFT
SUBJECT TO
CHANGE**

Last Revised

Oct 09,2023

Drawing Version

V1.0

Page

8 of 10

Applicable Model

R20B

Drawing Title

In-Wall Mounting
Rain Cover

Drawing Unit

mm

Drawing Scale

Not to scale

**DRAFT
SUBJECT TO
CHANGE**

Last Revised

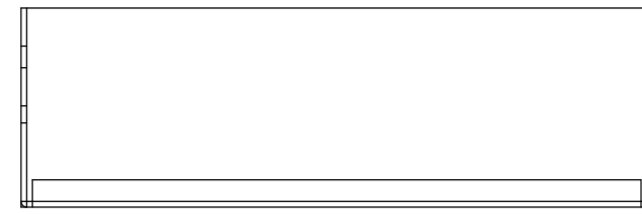
Oct 09, 2023

Drawing Version

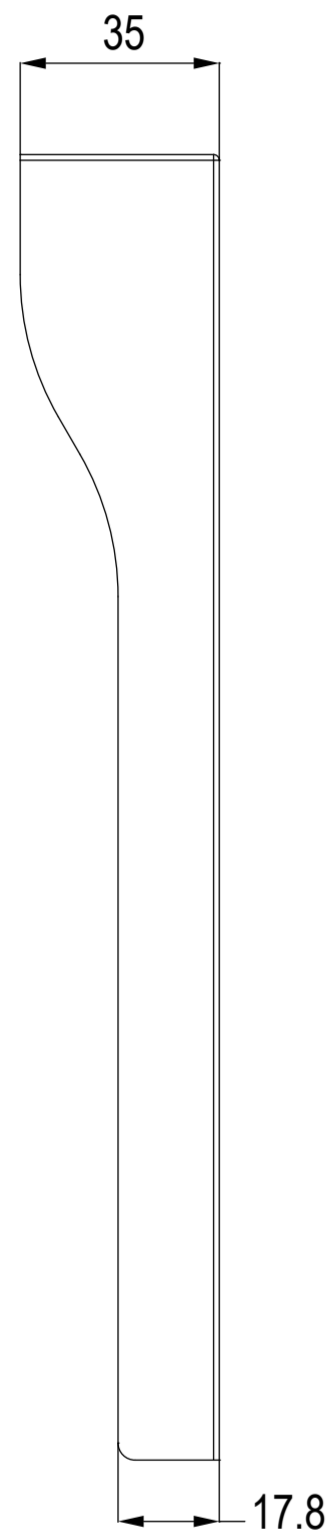
V1.0

Page

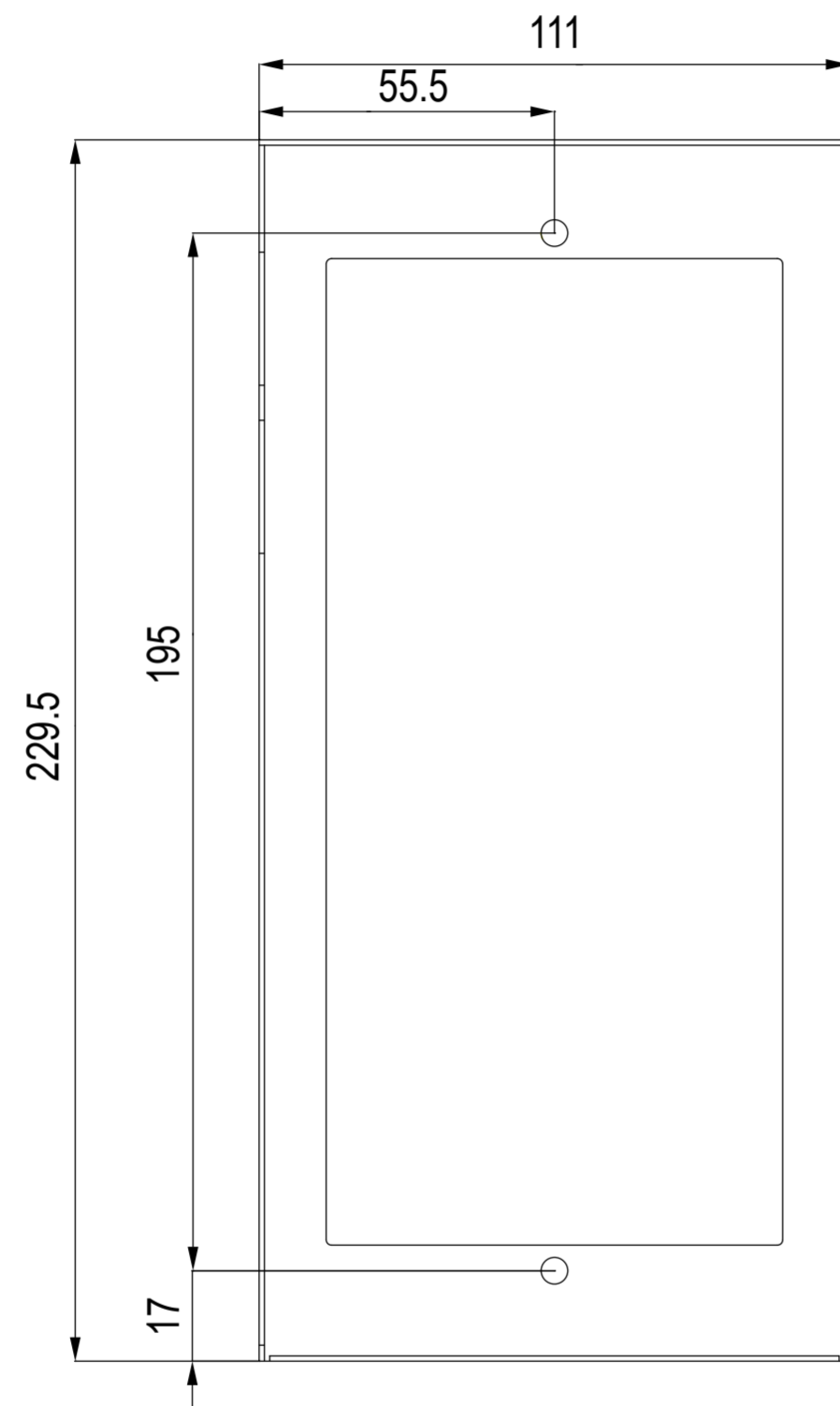
9 of 10



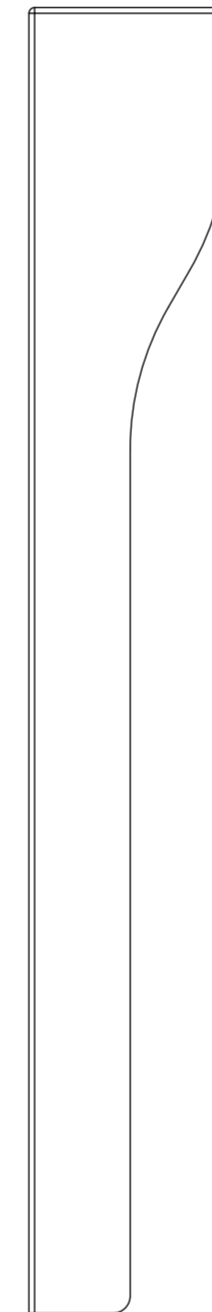
⑥ **BOTTOM VIEW**



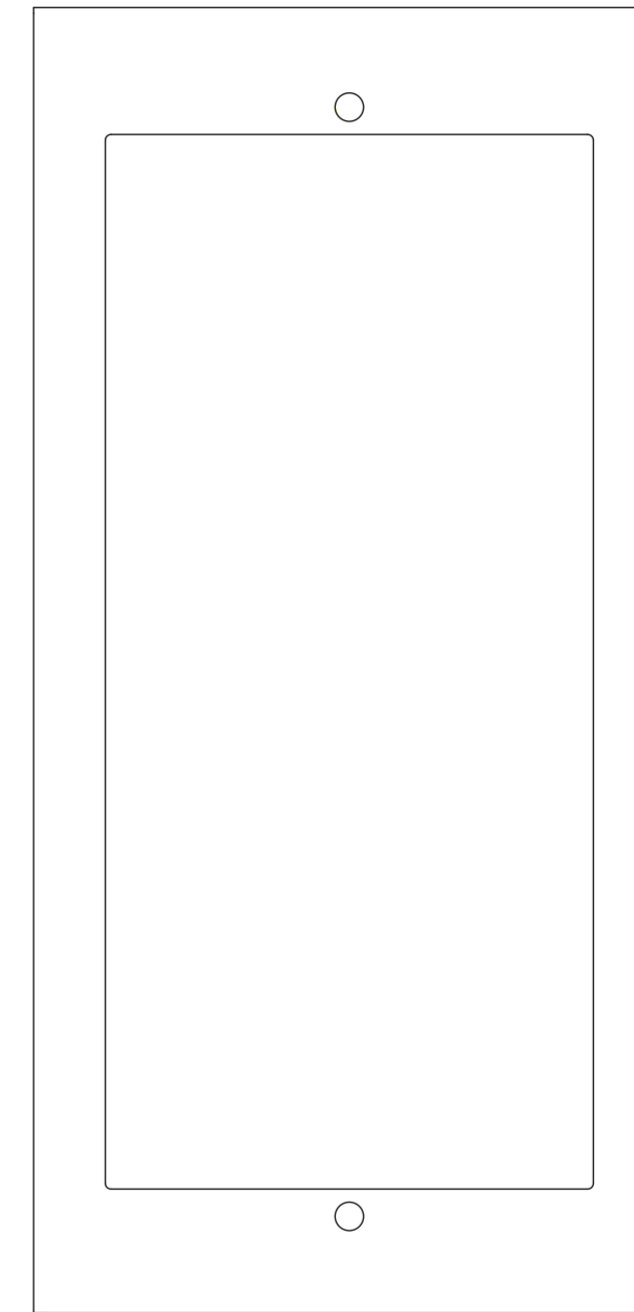
② **RIGHT VIEW**



① **FRONT VIEW**



③ **LEFT VIEW**



④ **BACK VIEW**



⑤ **TOP VIEW**

Applicable Model

R20BX2

Drawing Title

Placement

Drawing Unit

mm

Drawing Scale

Not to scale

**DRAFT
SUBJECT TO
CHANGE**

Last Revised

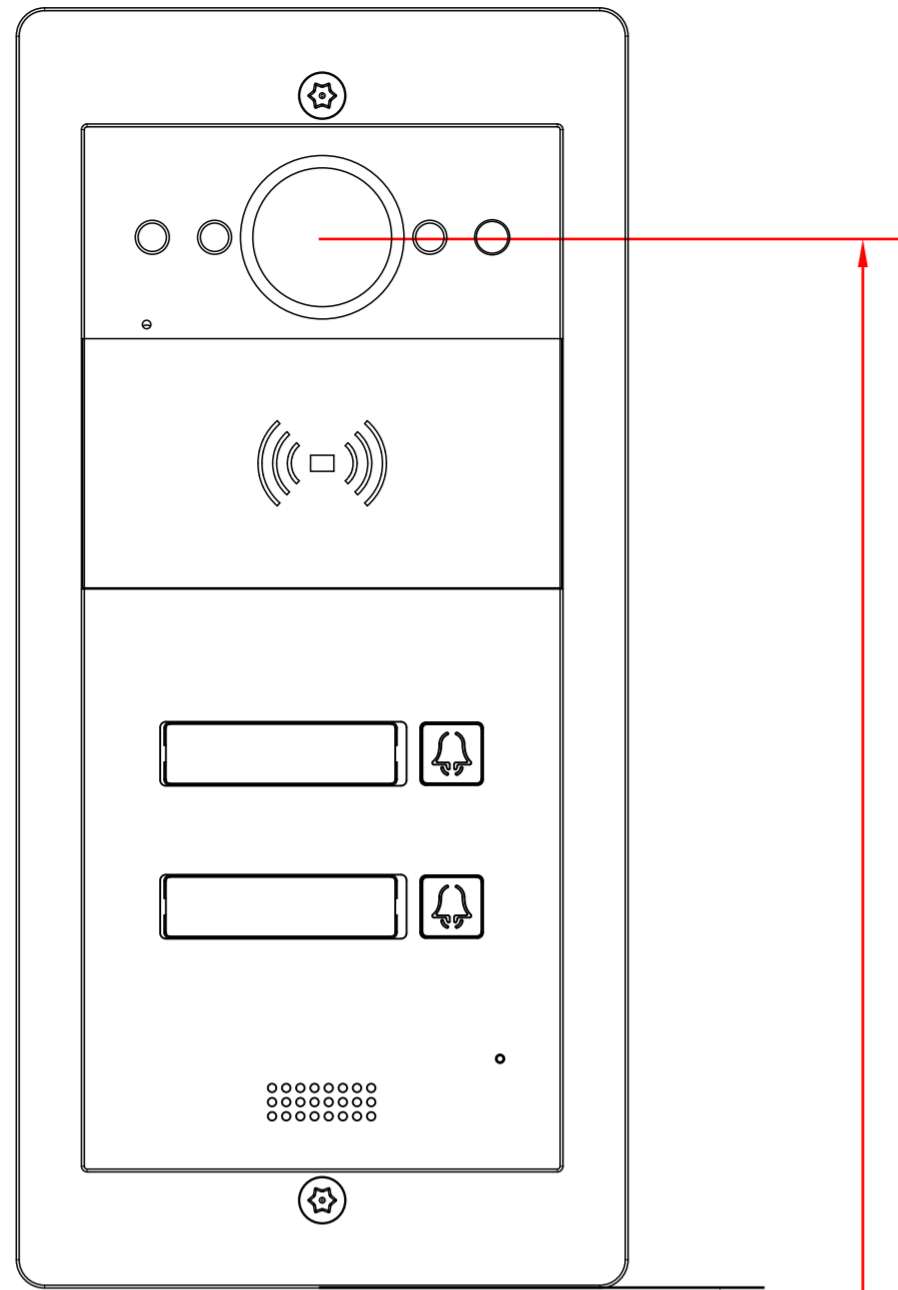
Oct 09,2023

Drawing Version

V1.0

Page

10 of 10



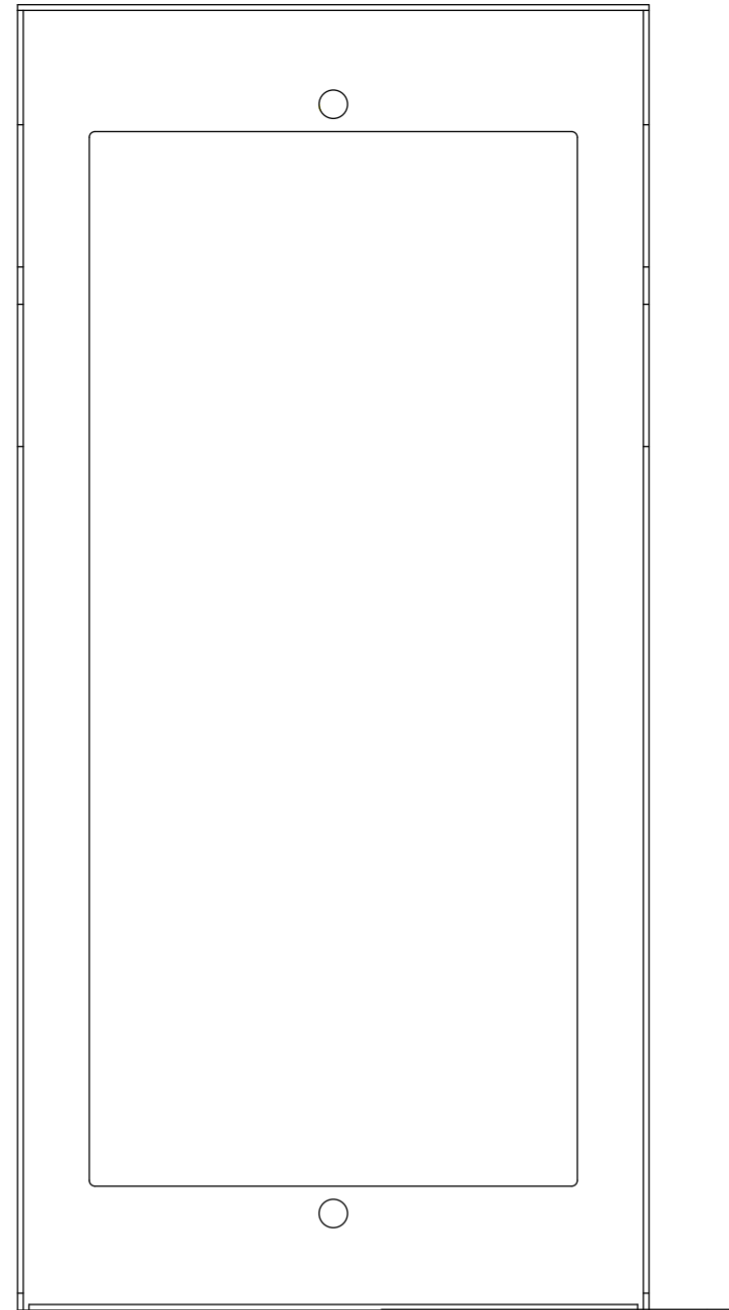
① INTERCOM PANEL FRONT VIEW

1214.5mm TO BOTTOM OF BRACKET

1400mm TO CENTER OF CAMERA

ADA Compliance Requirement

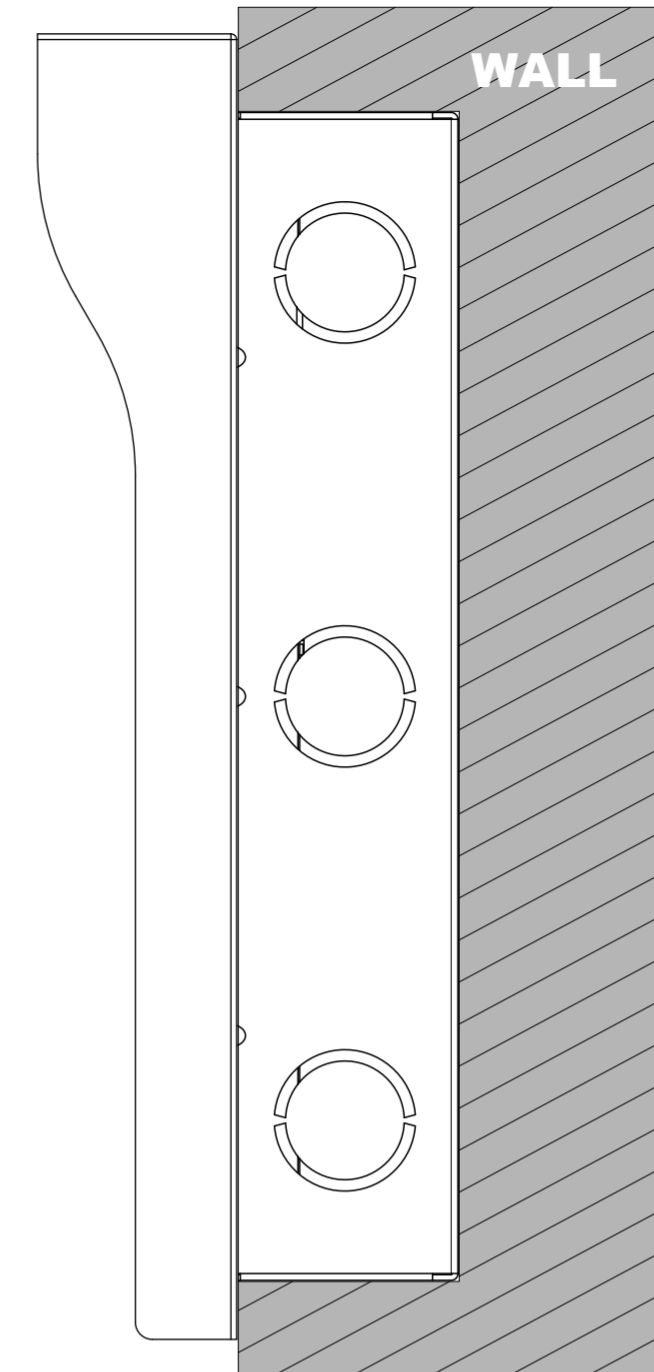
GROUND



② FRONT VIEW:WALL MOUNTING BRACKET PLACEMENT

1213mm TO BOTTOM OF BRACKET

GROUND



③ SIDE VIEW:INTERCOM PANEL IN WALL

WALL