

Applicable Model

R20BX3

Drawing Title

Intercom Panel

Drawing Unit

mm

Drawing Scale

Not to scale

**DRAFT
SUBJECT TO
CHANGE**

Last Revised

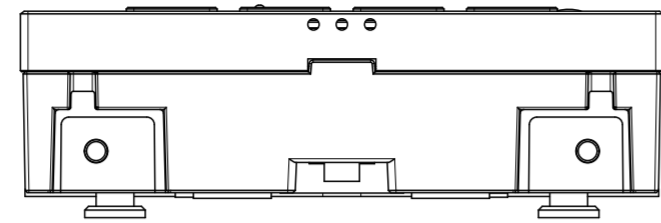
Oct 09, 2023

Drawing Version

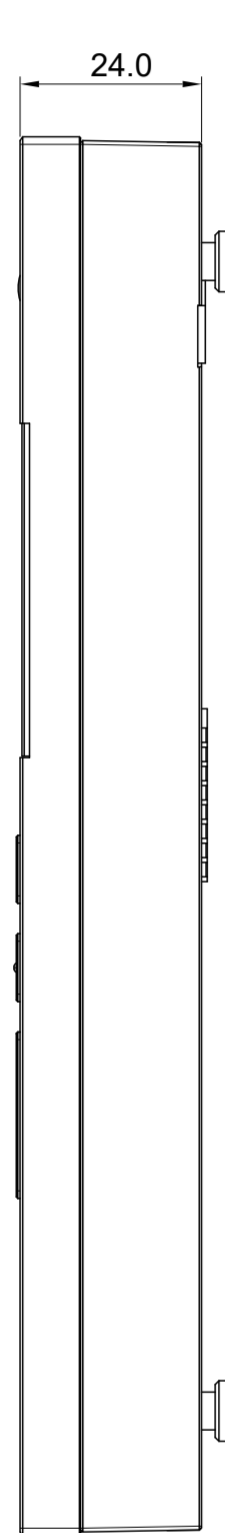
V1.0

Page

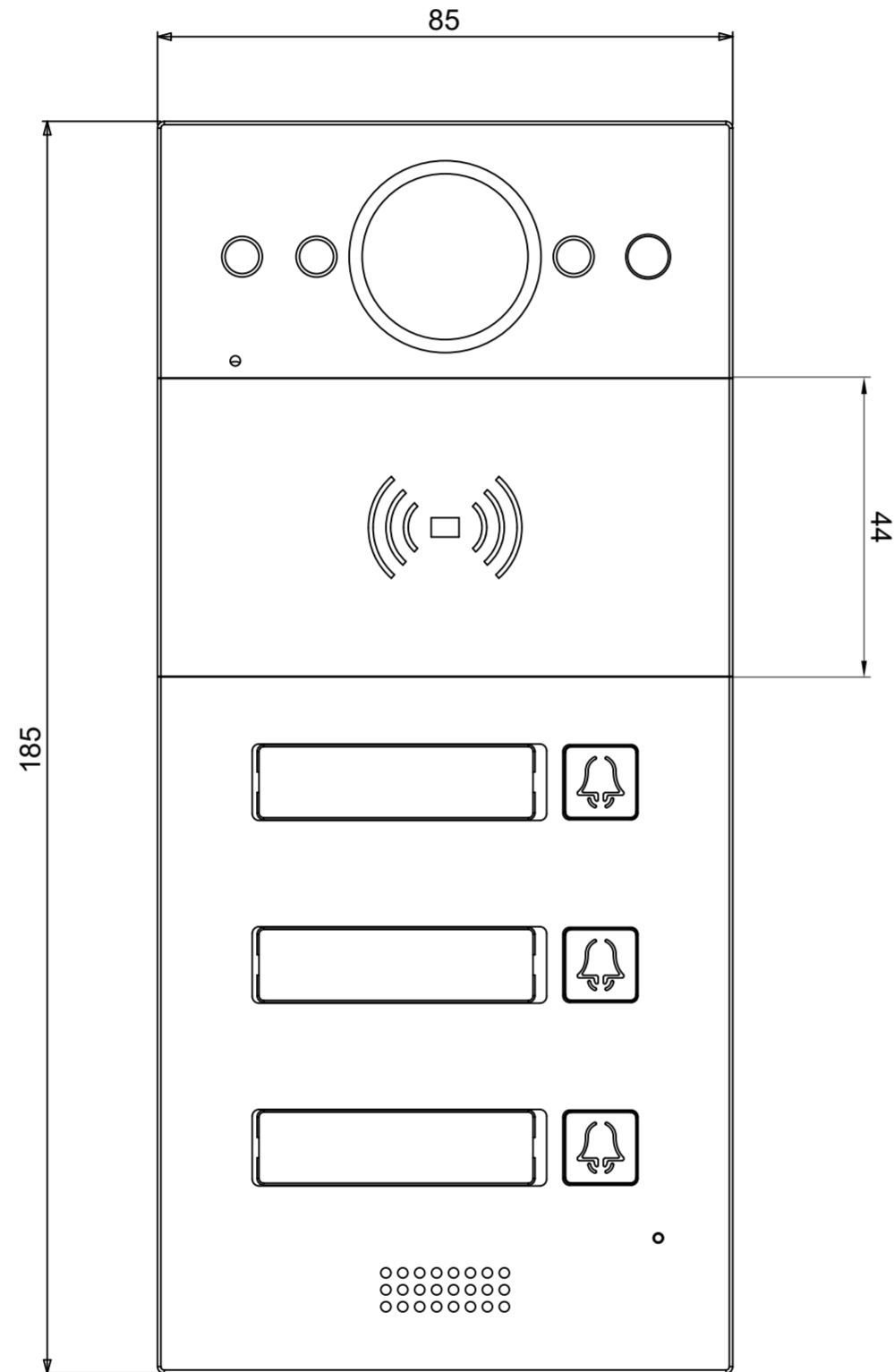
1 of 10



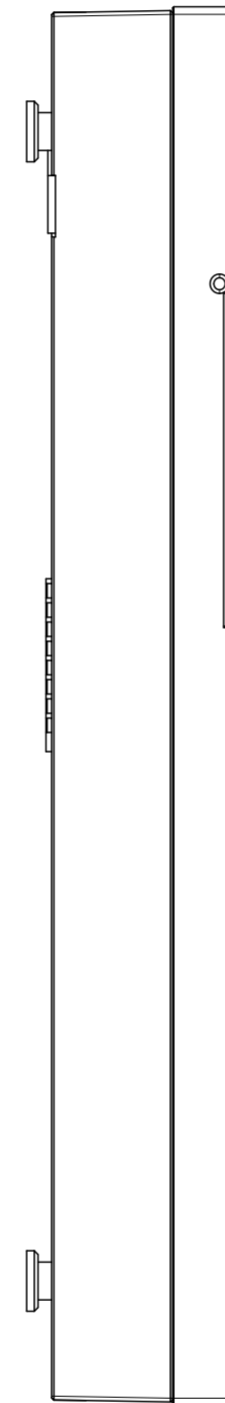
5 TOP VIEW



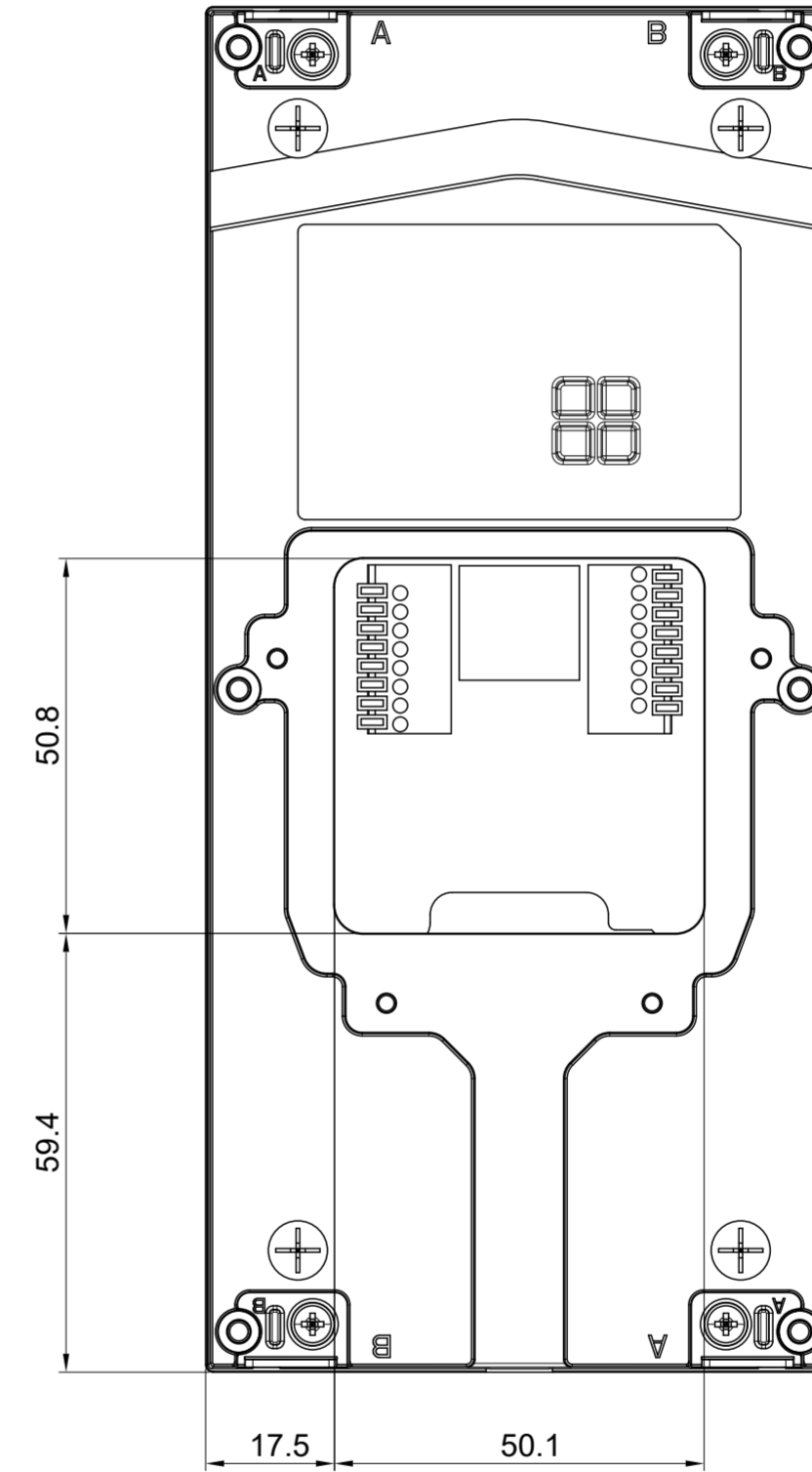
2 RIGHT VIEW



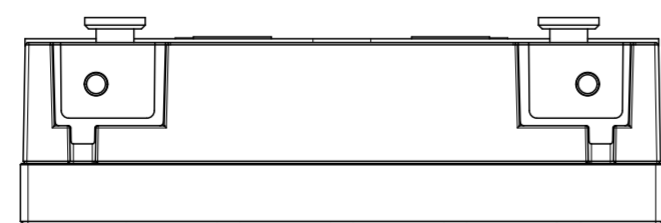
1 FRONT VIEW



3 LEFT VIEW



4 BACK VIEW



6 BOTTOM VIEW

Applicable Model

R20B

Drawing Title

Wall Mounting Bracket

Drawing Unit

mm

Drawing Scale

Not to scale

**DRAFT
SUBJECT TO
CHANGE**

Last Revised

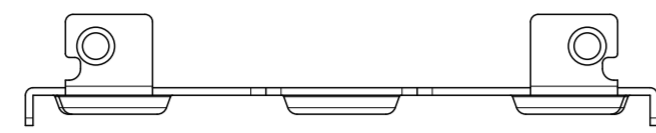
Oct 09,2023

Drawing Version

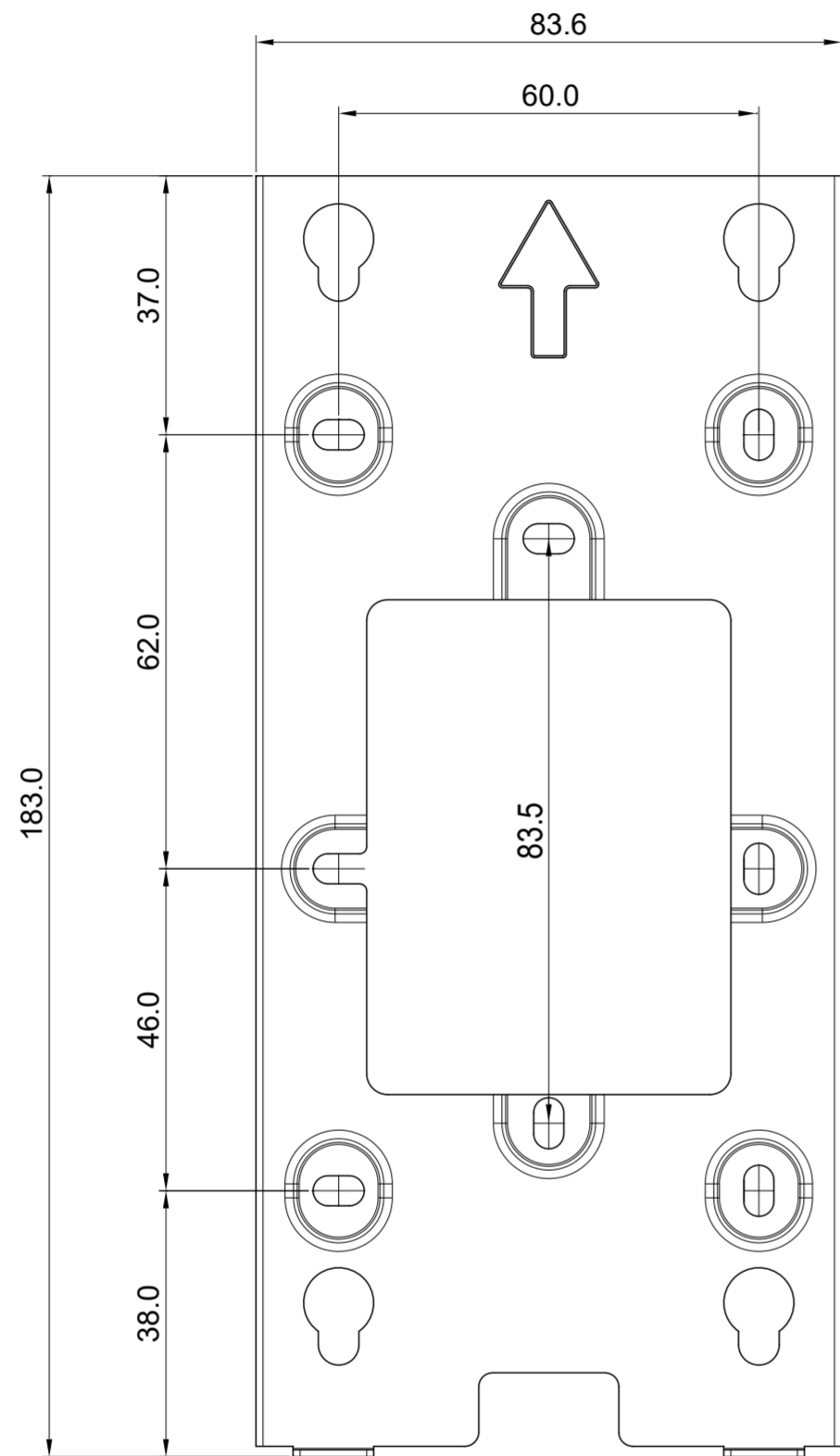
V1.0

Page

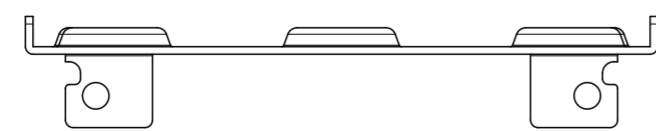
2 of 10



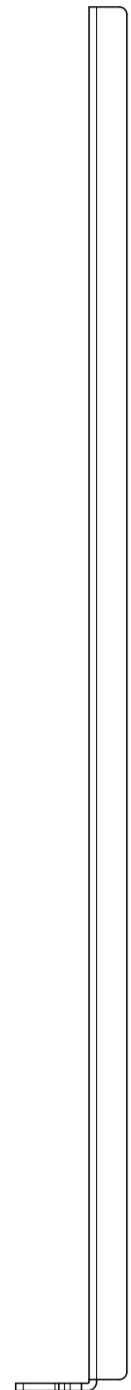
5 **TOP VIEW**



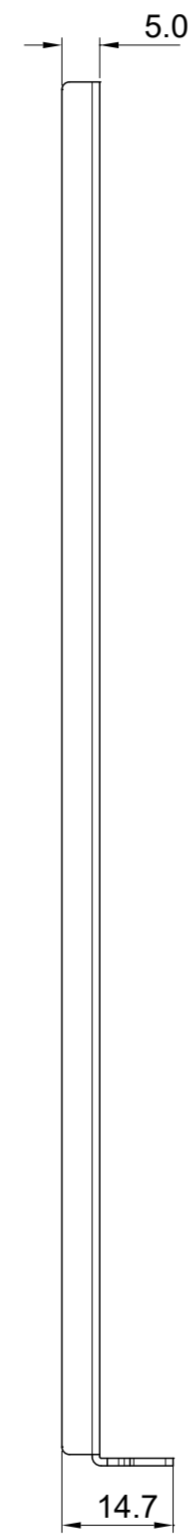
1 **FRONT VIEW**



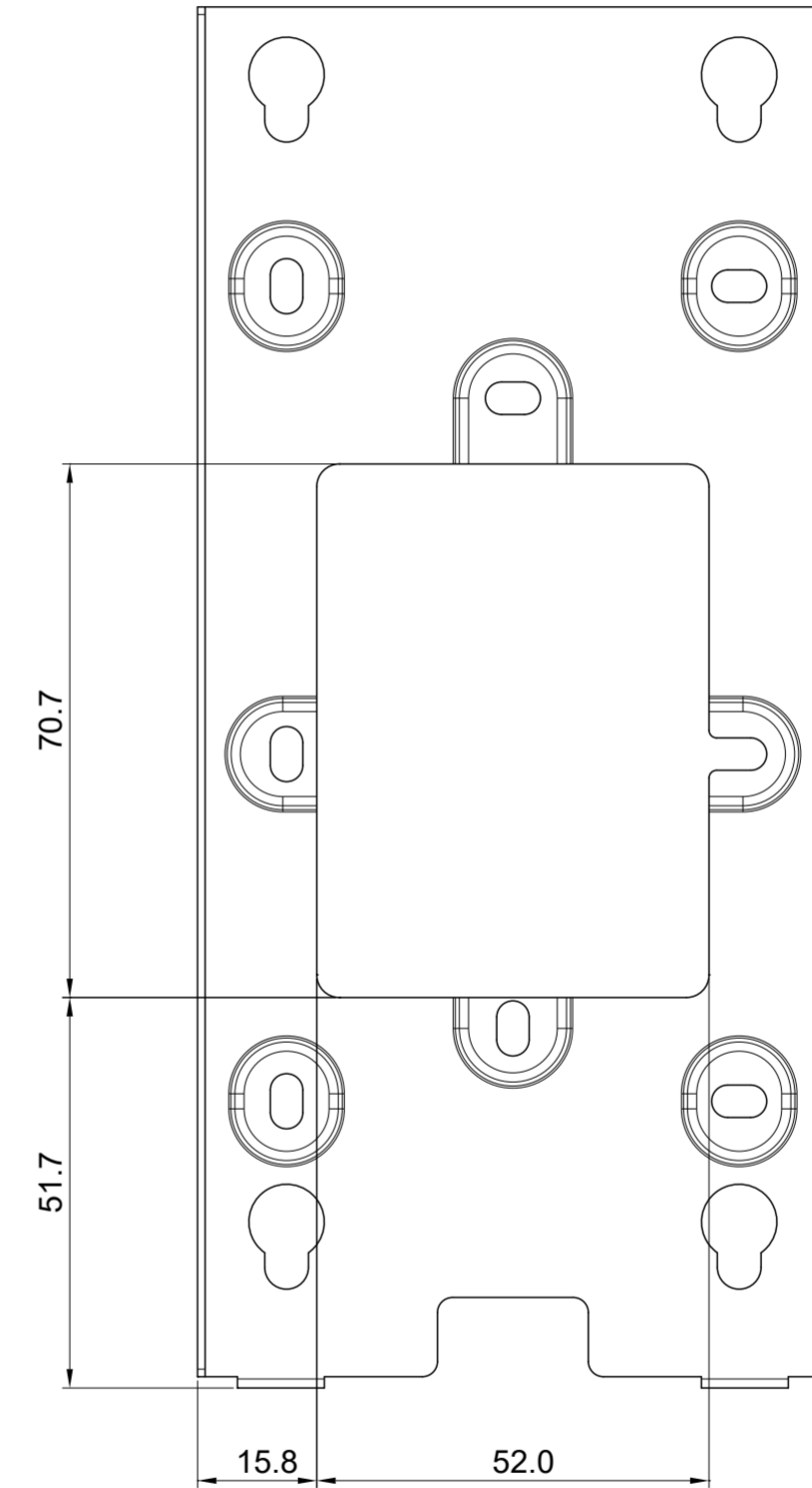
6 **BOTTOM VIEW**



2 **RIGHT VIEW**



3 **LEFT VIEW**



4 **BACK VIEW**

Applicable Model

R20BX3

Drawing Title

Placement

Drawing Unit

mm

Drawing Scale

Not to scale

**DRAFT
SUBJECT TO
CHANGE**

Last Revised

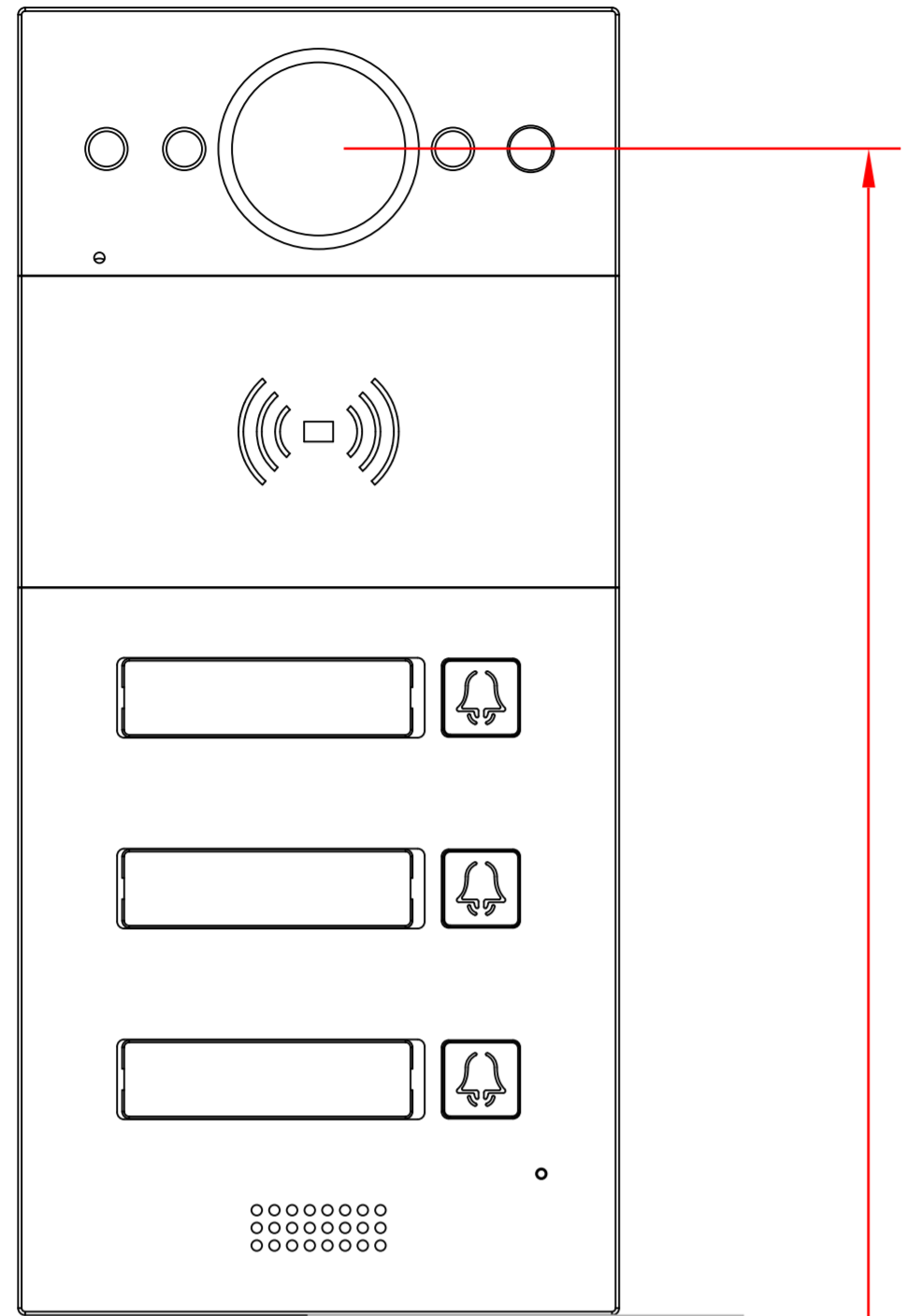
Oct 09,2023

Drawing Version

V1.0

Page

3 of 10

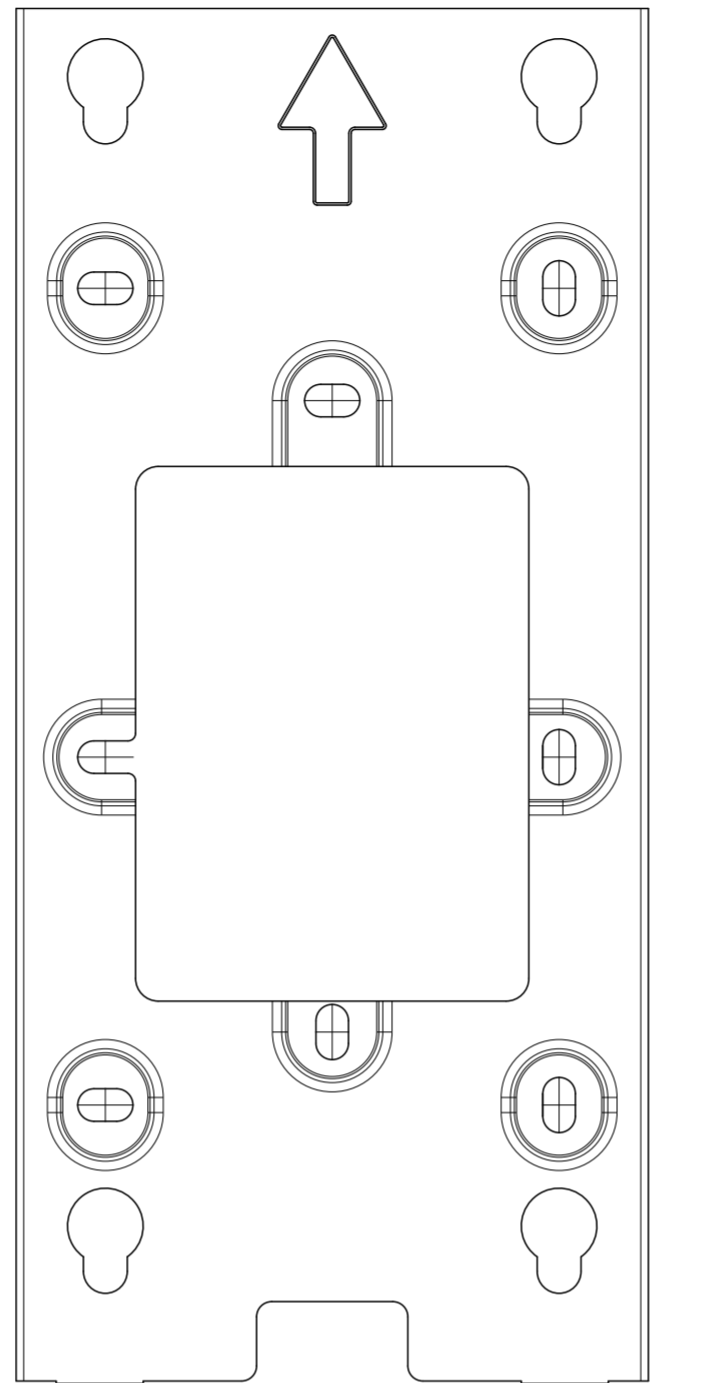
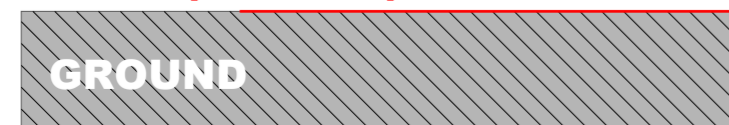


1 INTERCOM PANEL FRONT VIEW

1235mm TO BOTTOM OF PANEL

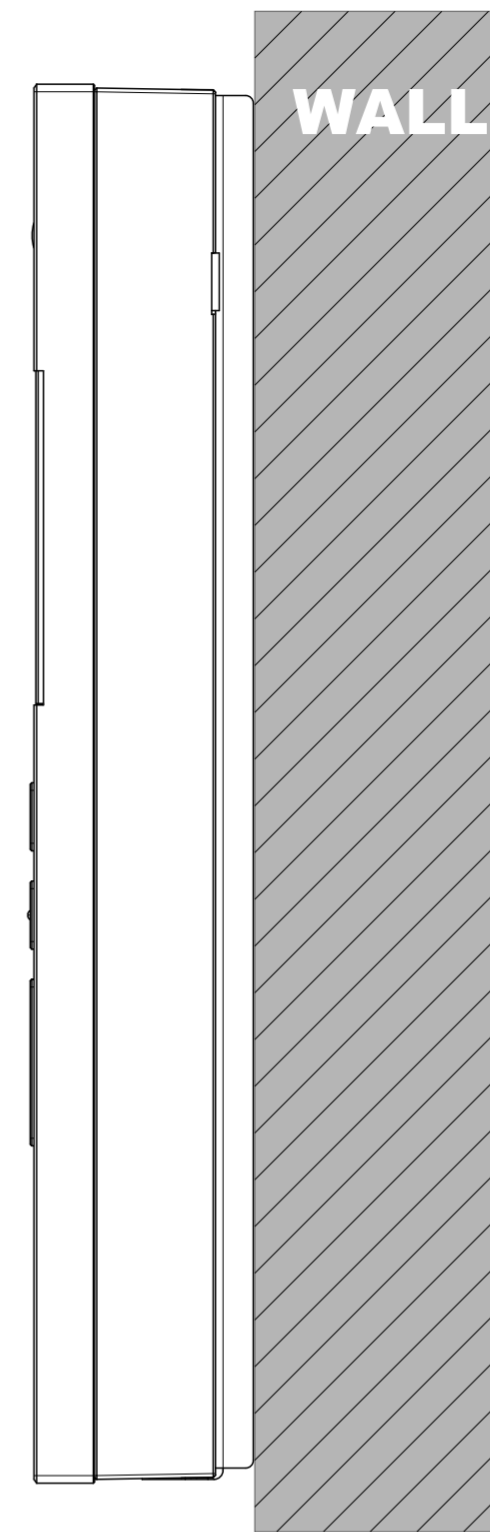
1400mm TO CENTER OF CAMERA

ADA Compliance Requirement



2 FRONT VIEW: WALL MOUNTING BRACKET PLACEMENT

1235mm TO BOTTOM OF BRACKET



3 SIDE VIEW: INTERCOM PANEL ON WALL

Applicable Model

R20B

Drawing Title

On-Wall Mounting
Rain Cover

Drawing Unit

mm

Drawing Scale

Not to scale

**DRAFT
SUBJECT TO
CHANGE**

Last Revised

Oct 09,2023

Drawing Version

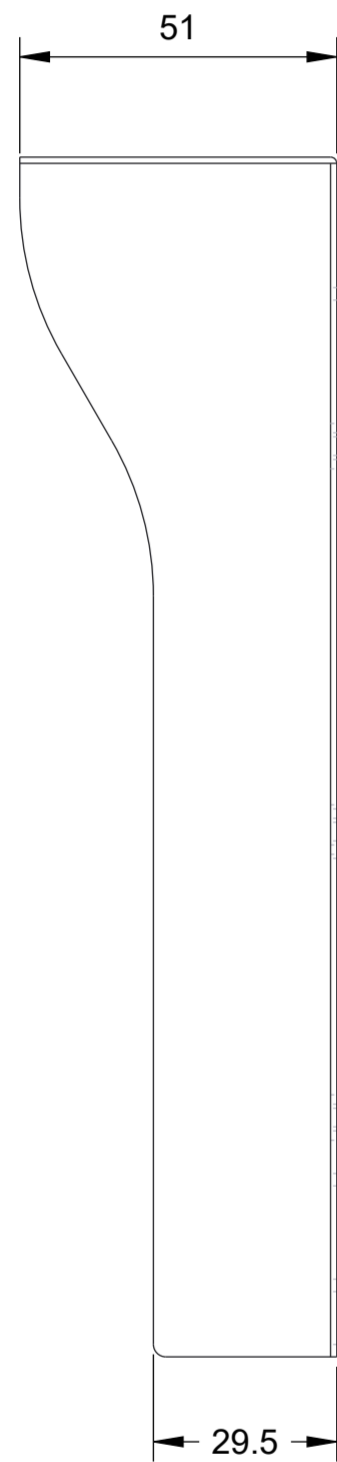
V1.0

Page

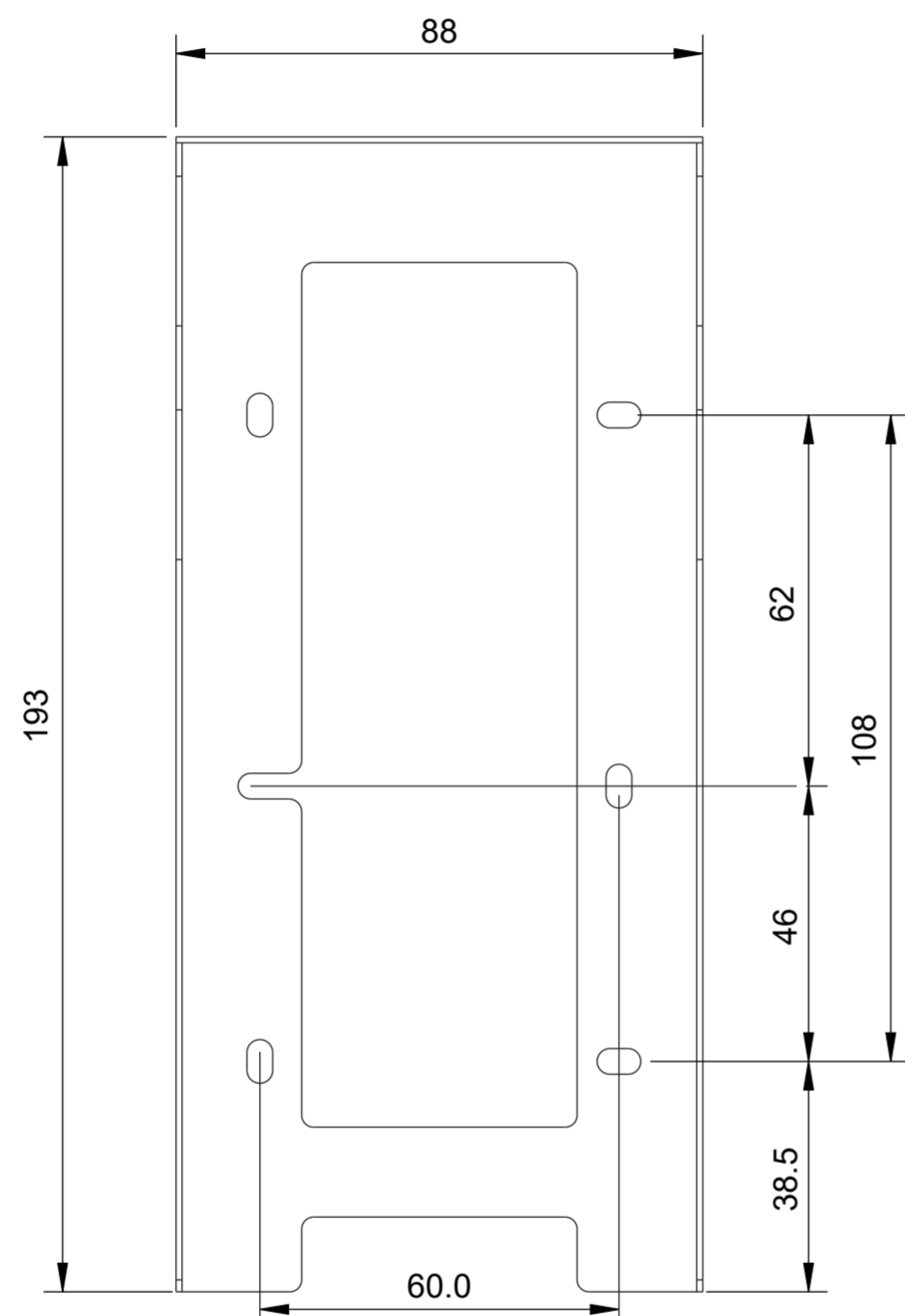
4 of 10



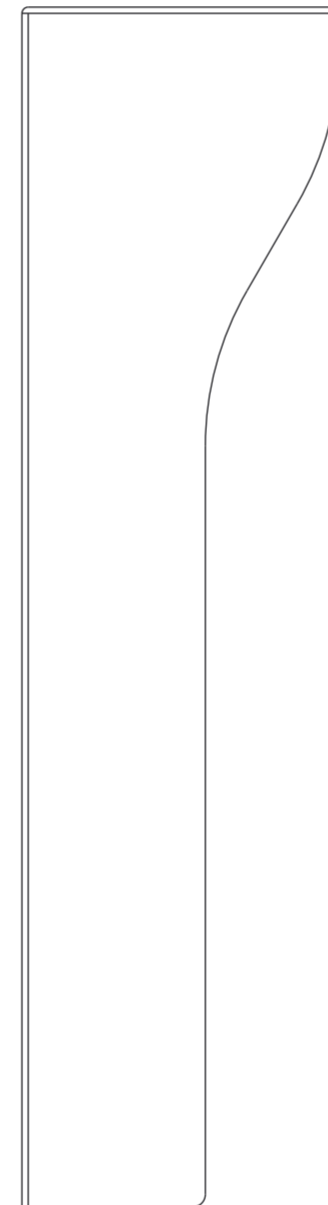
⑥ **BOTTOM VIEW**



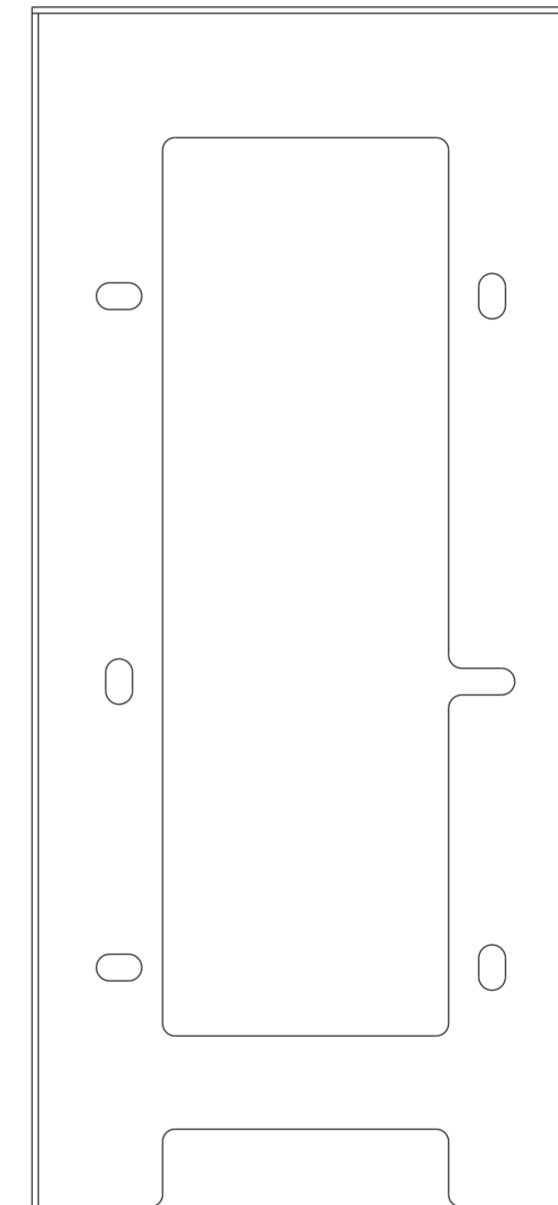
② **RIGHT VIEW**



① **FRONT VIEW**



③ **LEFT VIEW**



④ **BACK VIEW**



⑤ **TOP VIEW**

Applicable Model

R20BX3

Drawing Title

Placement

Drawing Unit

mm

Drawing Scale

Not to scale

**DRAFT
SUBJECT TO
CHANGE**

Last Revised

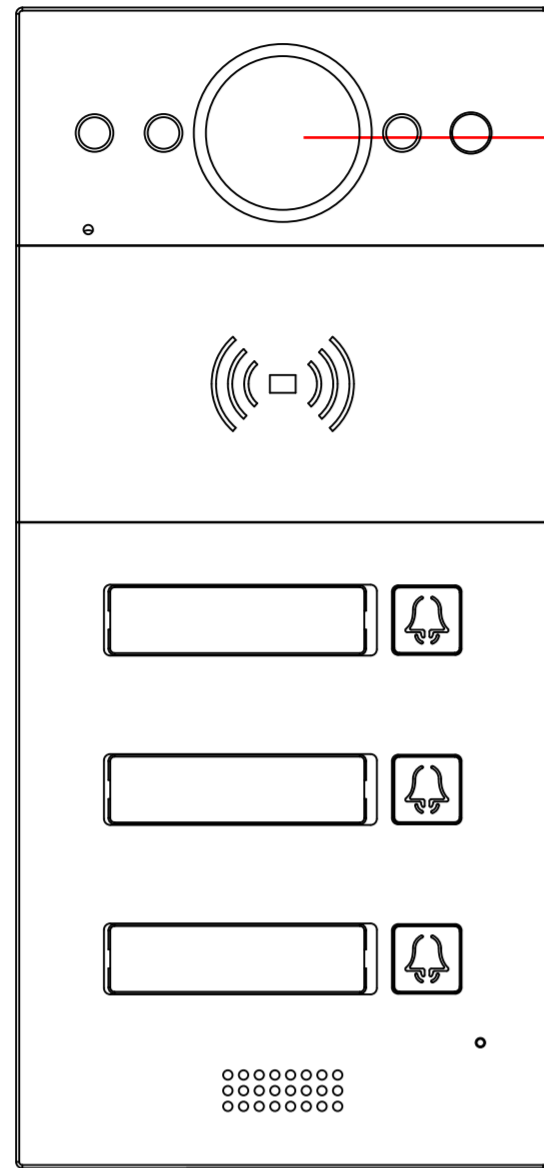
Oct 09,2023

Drawing Version

V1.0

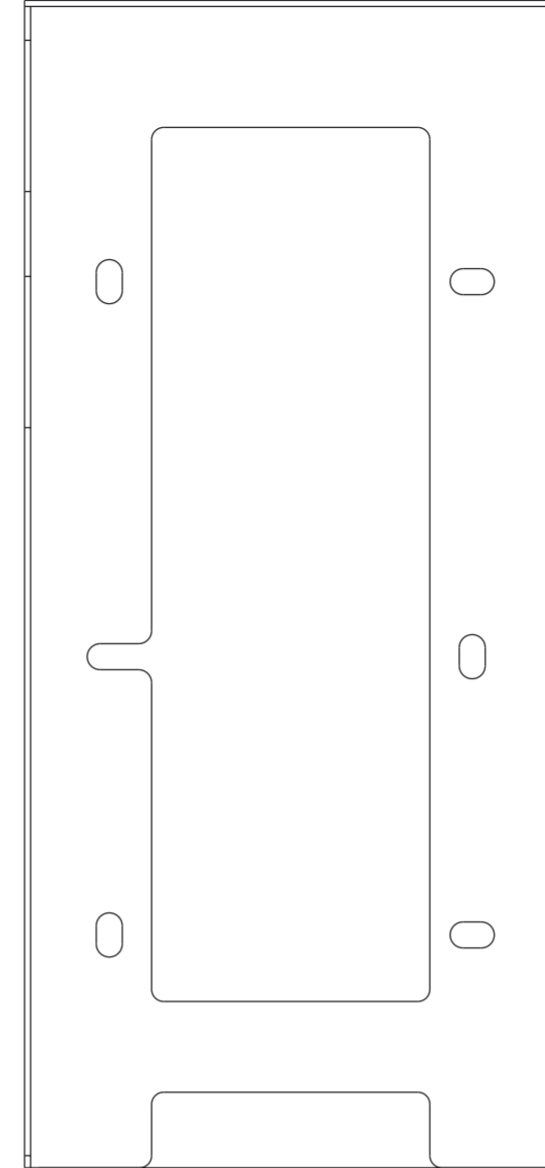
Page

5 of 10

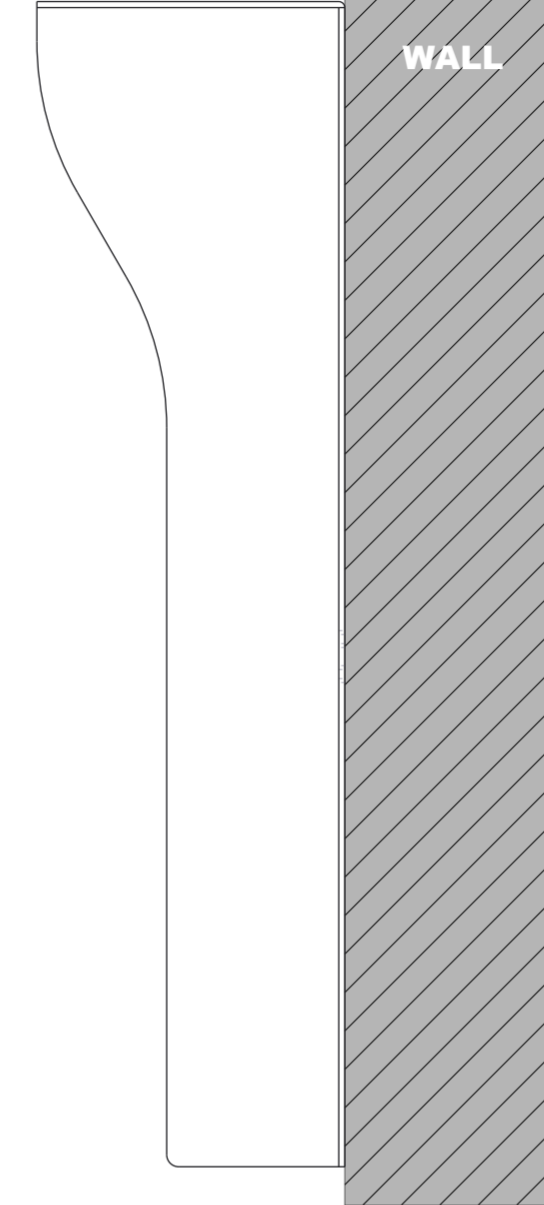


1235mm TO BOTTOM OF PANEL

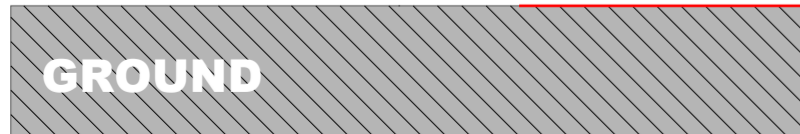
1400mm TO CENTER OF CAMERA



1235mm TO BOTTOM OF BRACKET



ADA Compliance Requirement



Applicable Model

R20B

Drawing Title

Decorative Panel

Drawing Unit

mm

Drawing Scale

Not to scale

**DRAFT
SUBJECT TO
CHANGE**

Last Revised

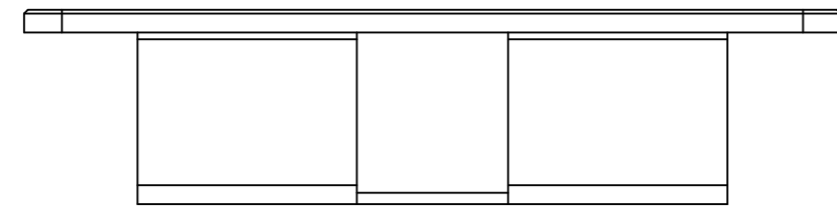
Oct 09,2023

Drawing Version

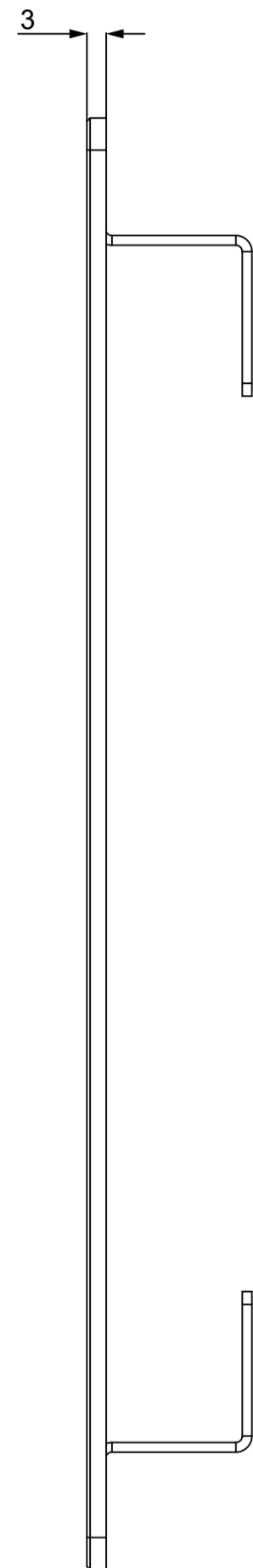
V1.0

Page

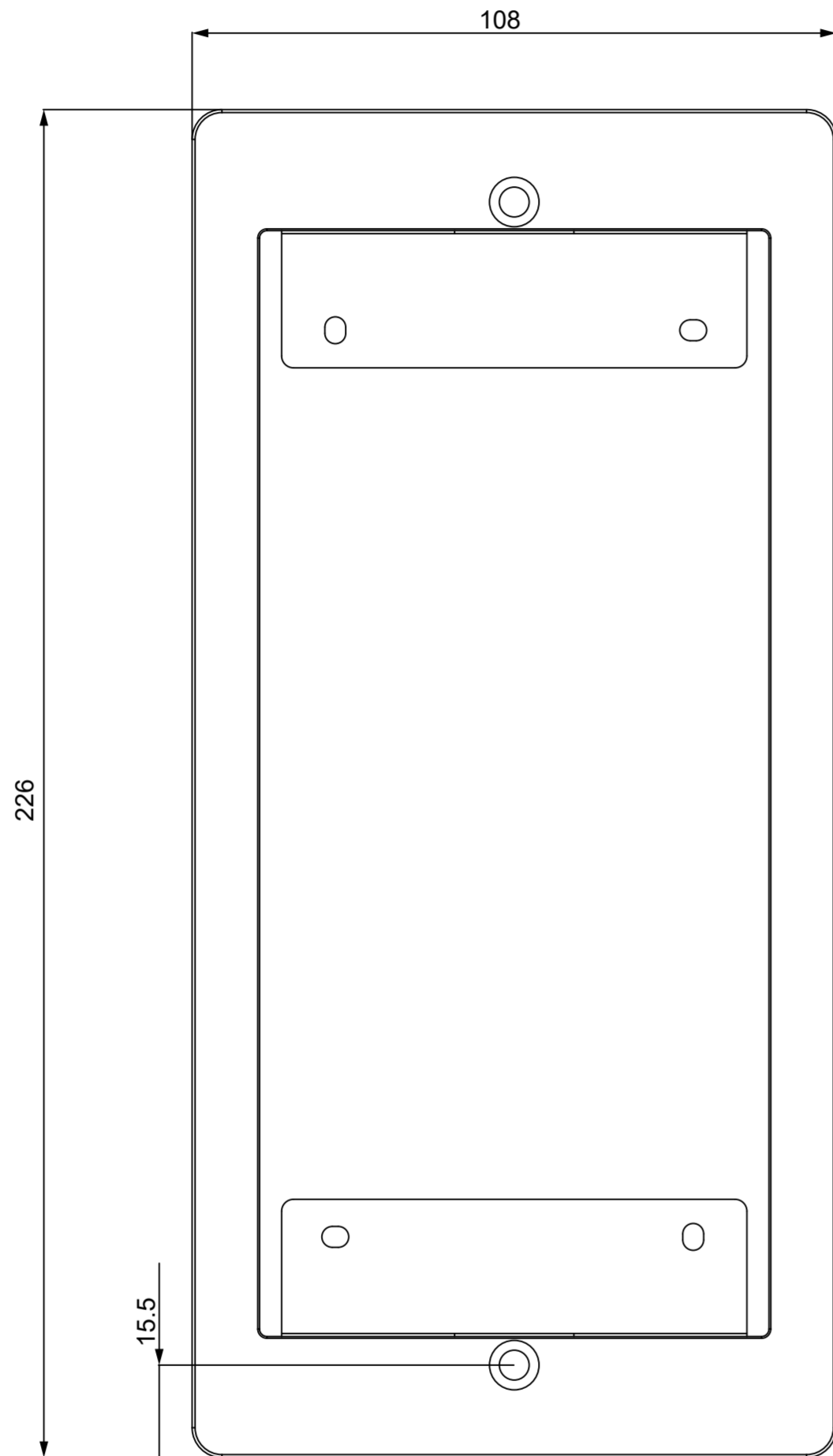
6 of 10



5 TOP VIEW



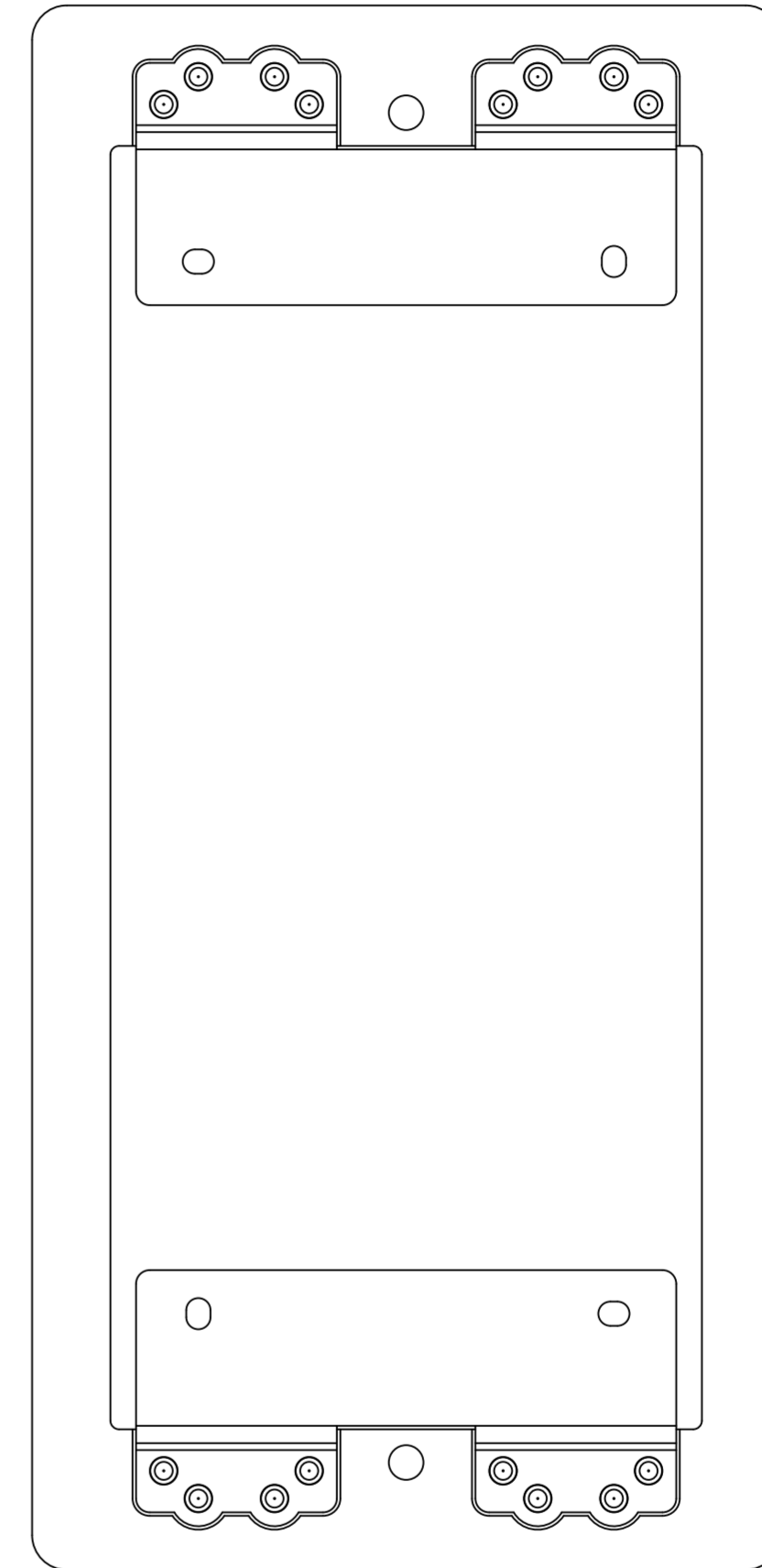
2 RIGHT VIEW



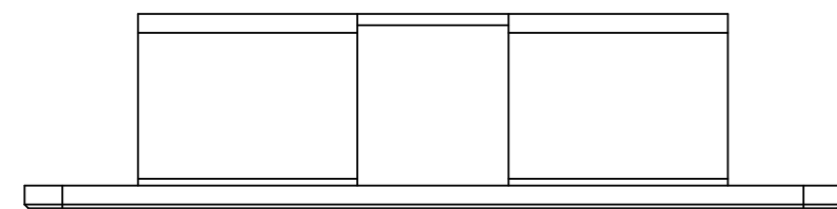
1 FRONT VIEW



3 LEFT VIEW



4 BACK VIEW



6 BOTTOM VIEW

Applicable Model

R20B

Drawing Title

Flush Mounting Box

Drawing Unit

mm

Drawing Scale

Not to scale

**DRAFT
SUBJECT TO
CHANGE**

Last Revised

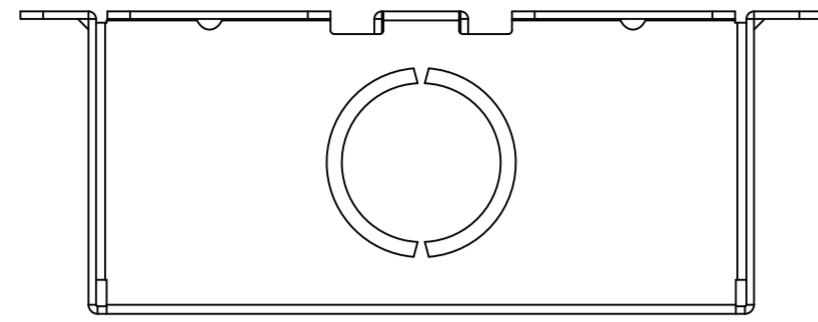
Oct 09, 2023

Drawing Version

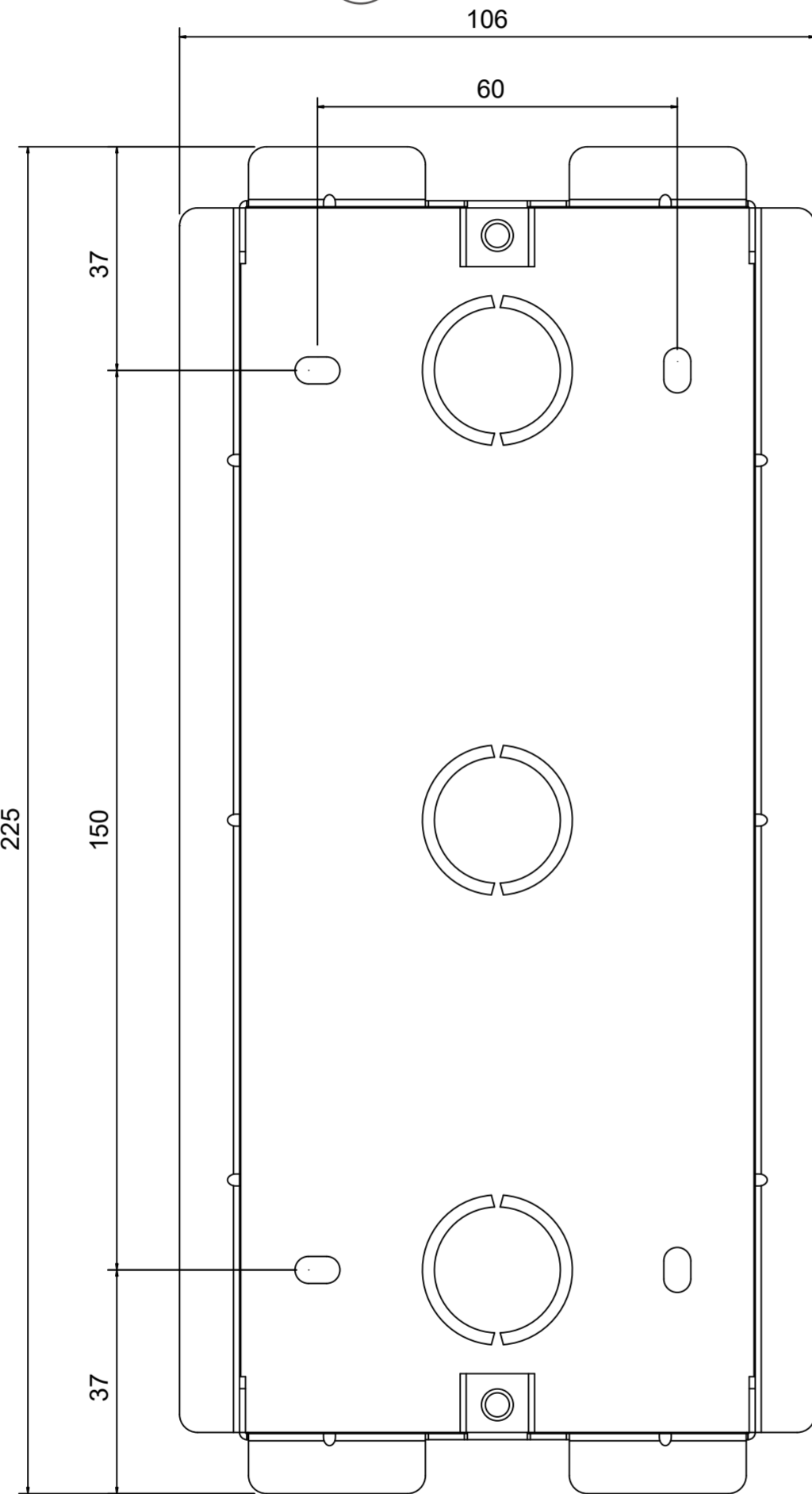
V1.0

Page

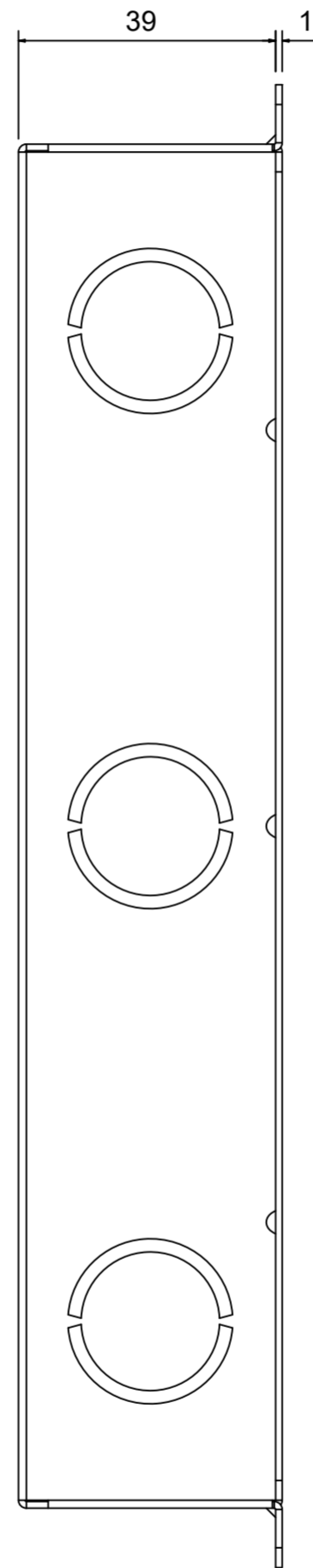
7 of 10



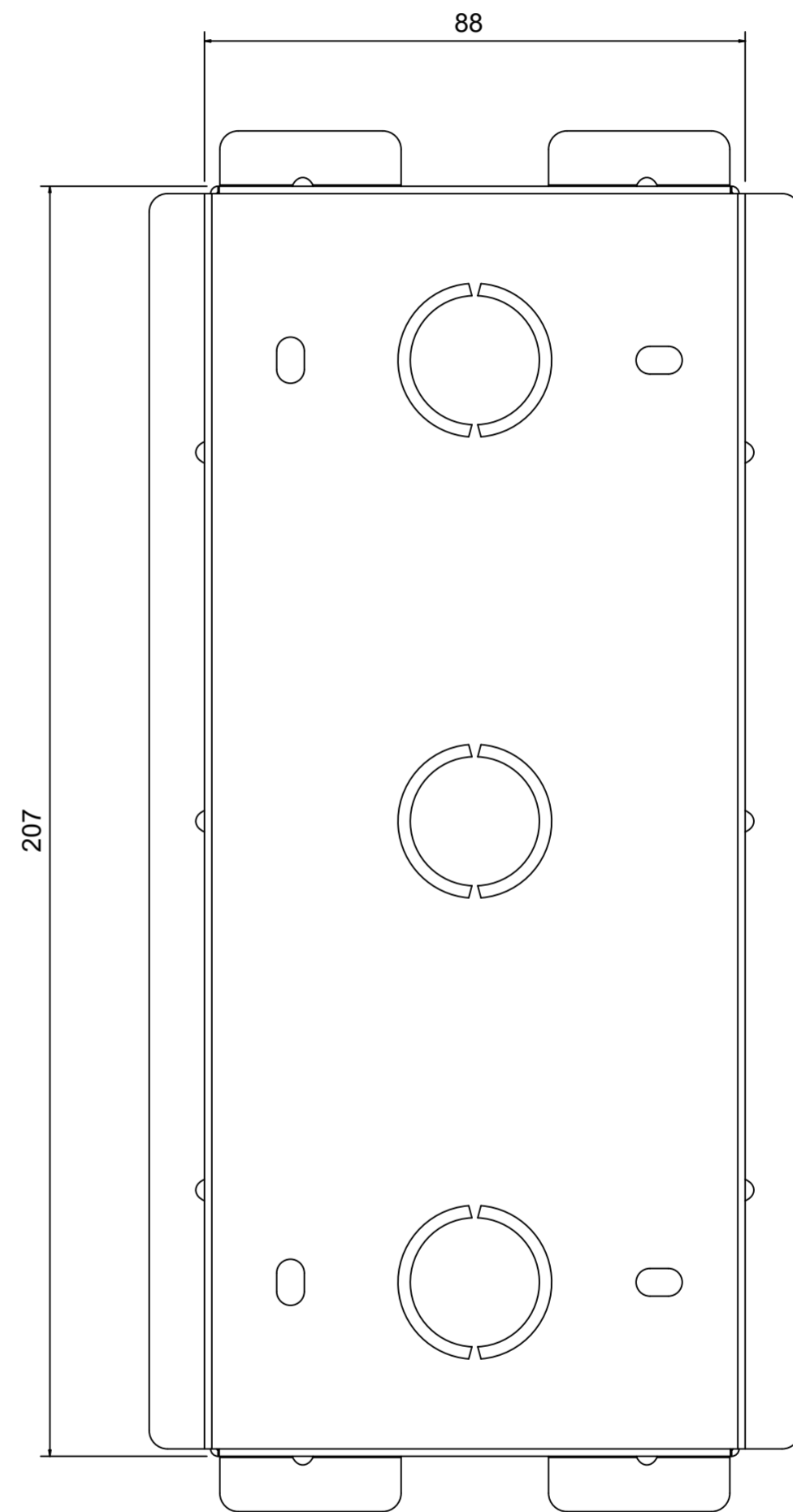
5 TOP VIEW



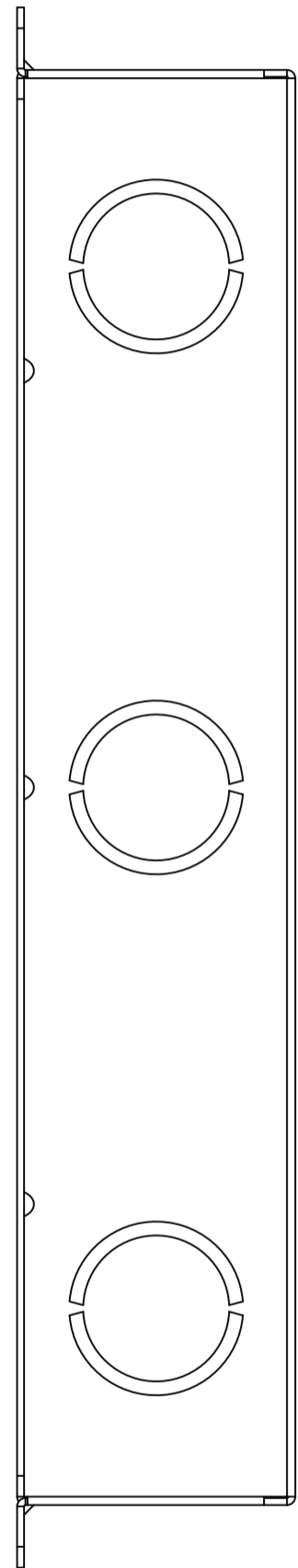
1 FRONT VIEW



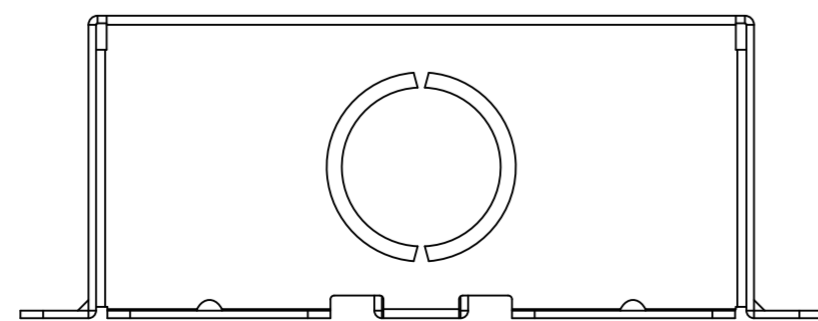
3 LEFT VIEW



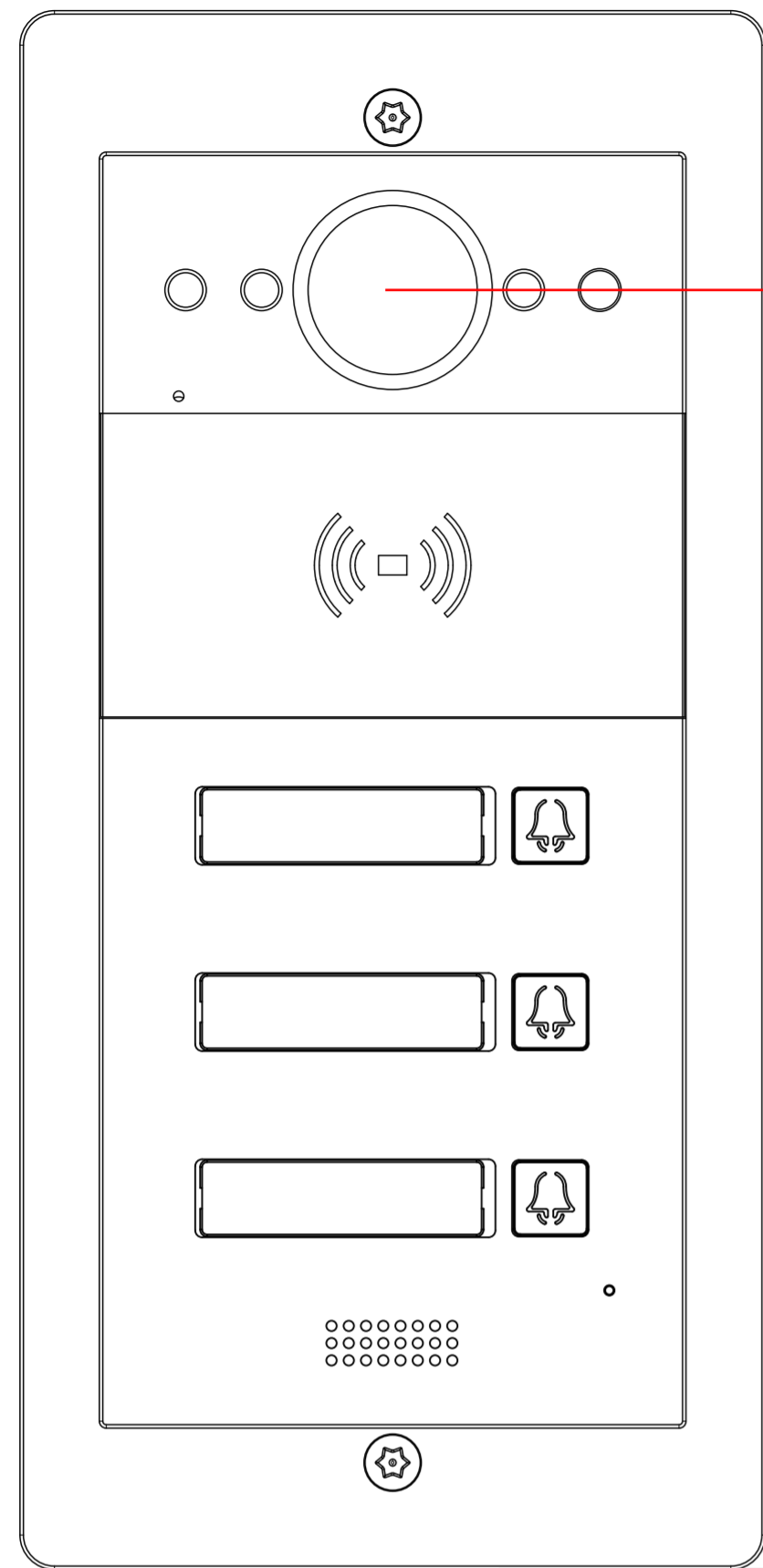
4 BACK VIEW



2 RIGHT VIEW



6 BOTTOM VIEW

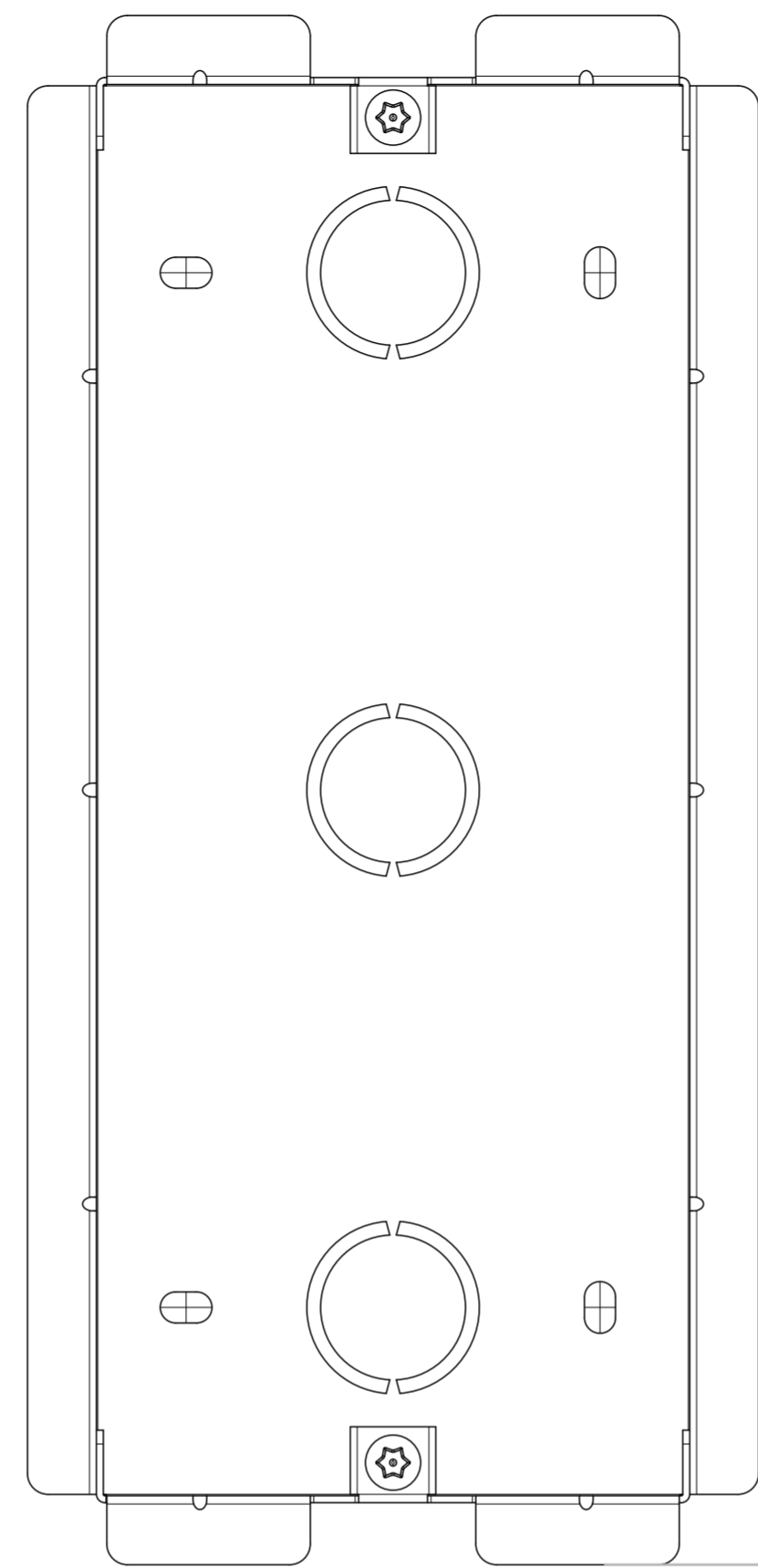
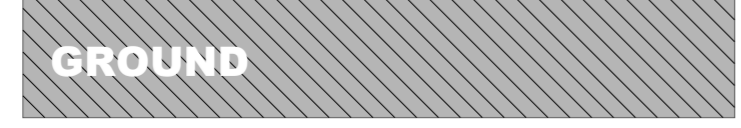


1 INTERCOM PANEL FRONT VIEW

1214.5mm TO BOTTOM OF BRACKET

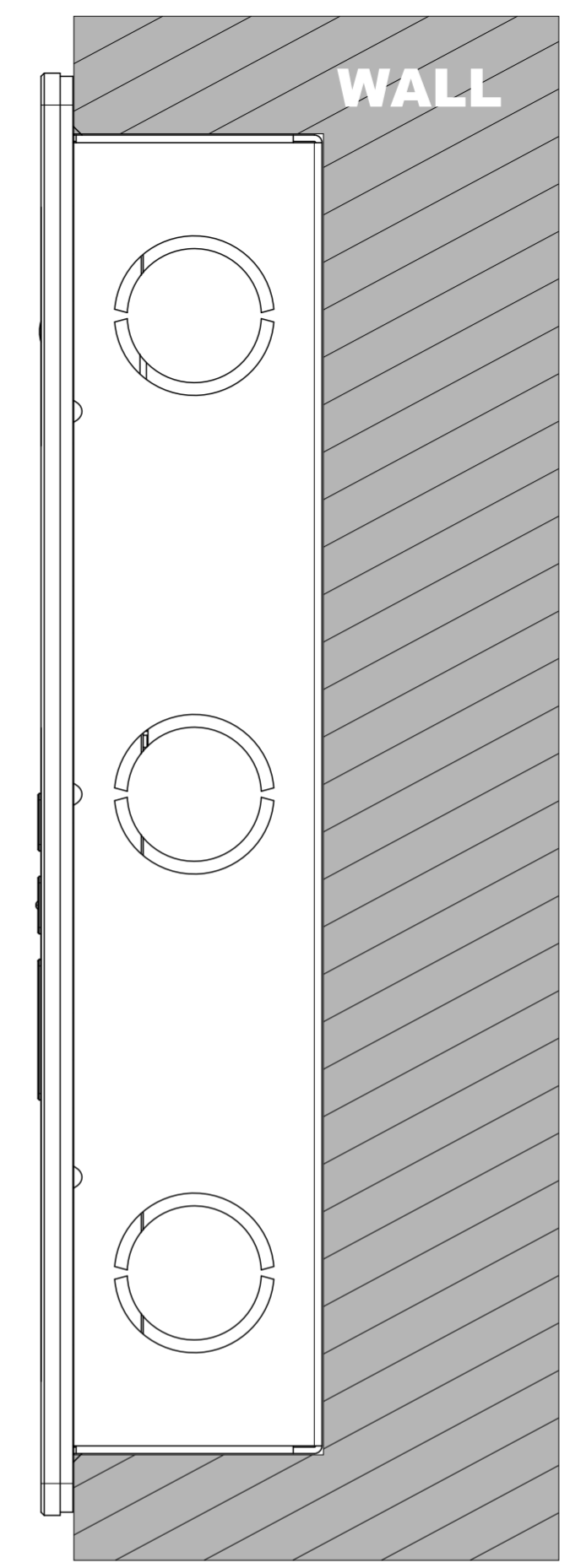
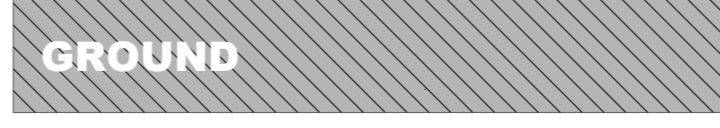
1400mm TO CENTER OF CAMERA

ADA Compliance Requirement



2 FRONT VIEW: FLUSHING MOUNTING BOX PLACEMENT

1215mm TO BOTTOM OF BRACKET



3 SIDE VIEW: INTERCOM PANEL IN WALL

Applicable Model
R20BX3

Drawing Title
Placement

Drawing Unit
mm

Drawing Scale
Not to scale

DRAFT
SUBJECT TO
CHANGE

Last Revised
Oct 09,2023

Drawing Version
V1.0

Applicable Model

R20B

Drawing Title

In-Wall Mounting
Rain Cover

Drawing Unit

mm

Drawing Scale

Not to scale

**DRAFT
SUBJECT TO
CHANGE**

Last Revised

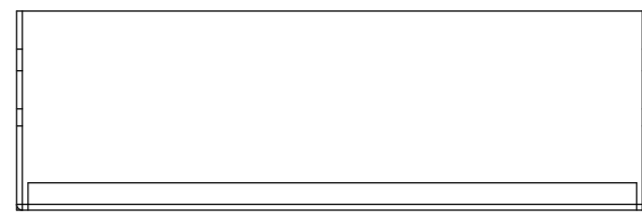
Oct 09,2023

Drawing Version

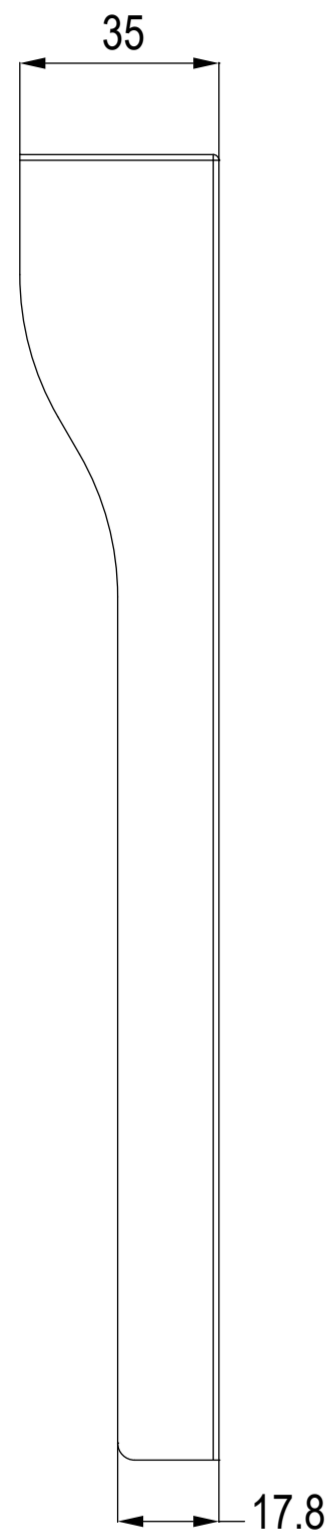
V1.0

Page

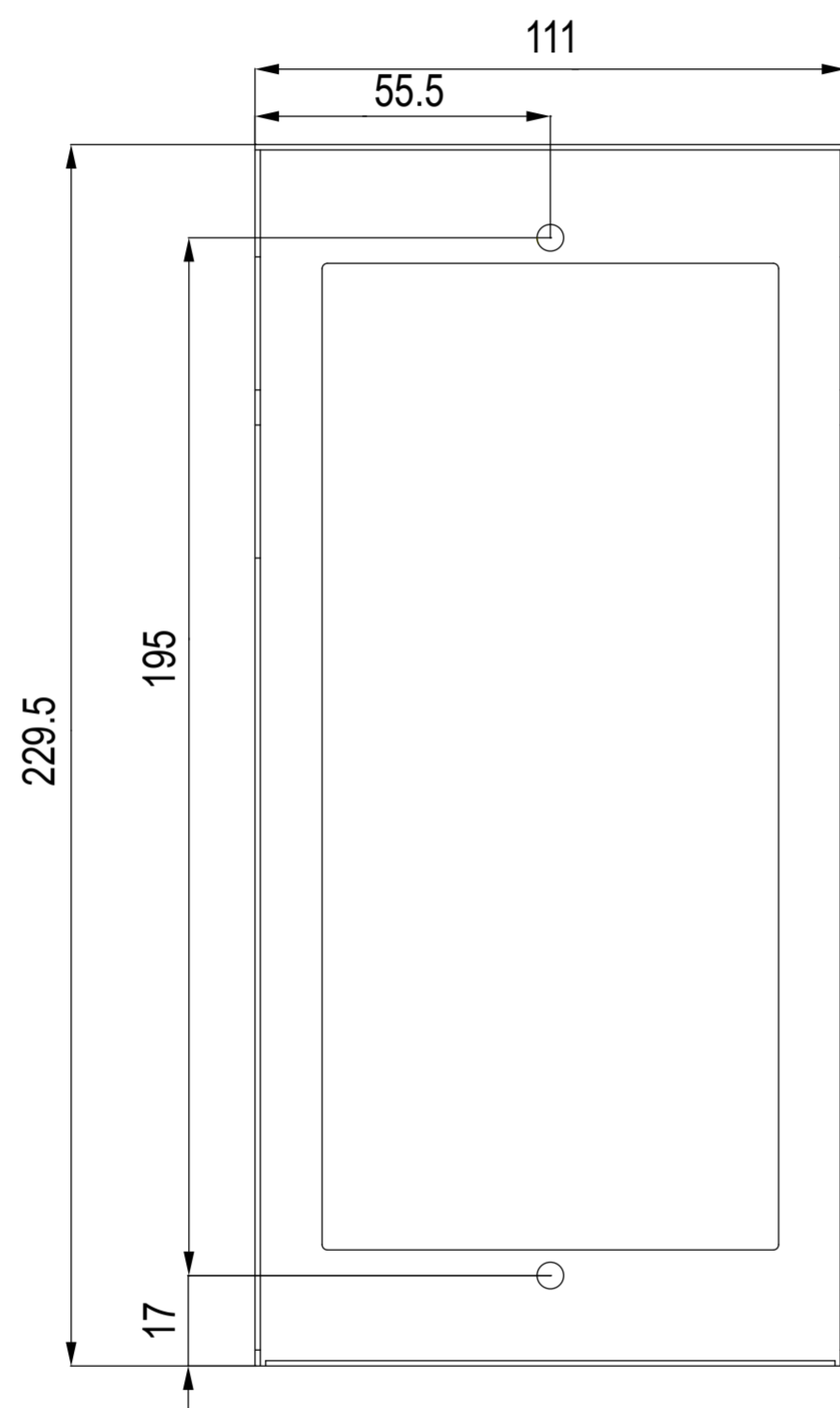
9 of 10



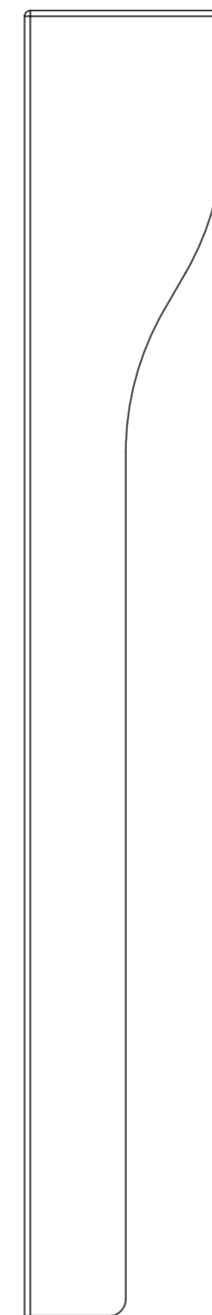
⑥ **BOTTOM VIEW**



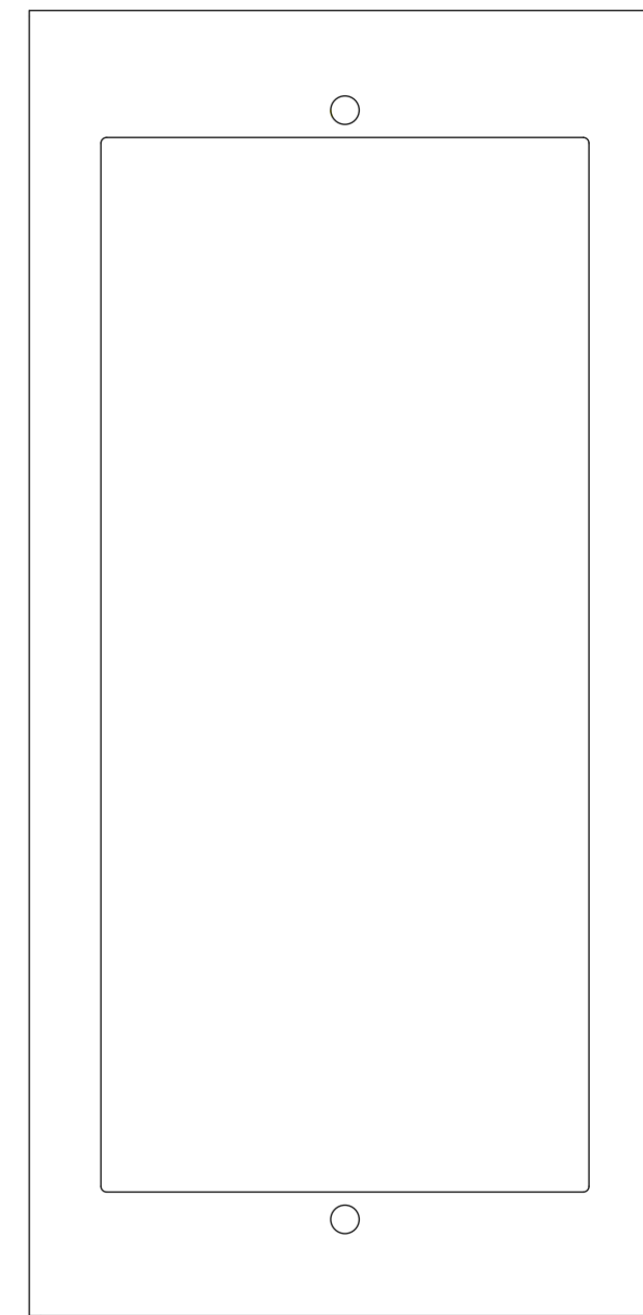
② **RIGHT VIEW**



① **FRONT VIEW**



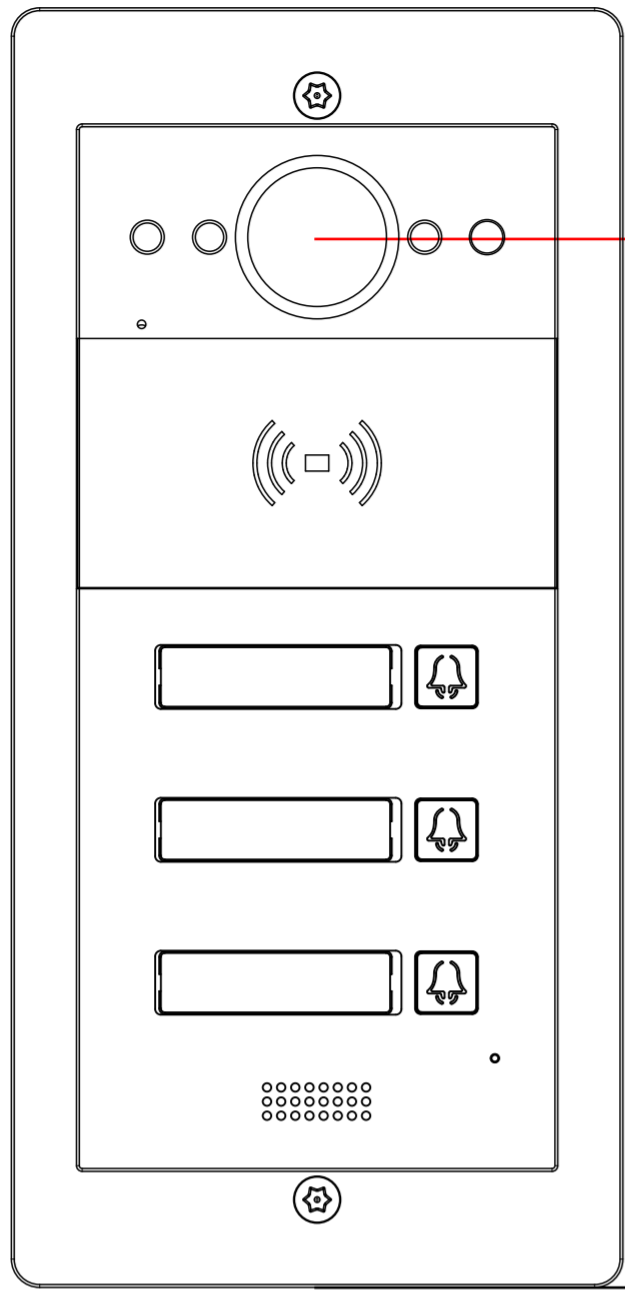
③ **LEFT VIEW**



④ **BACK VIEW**



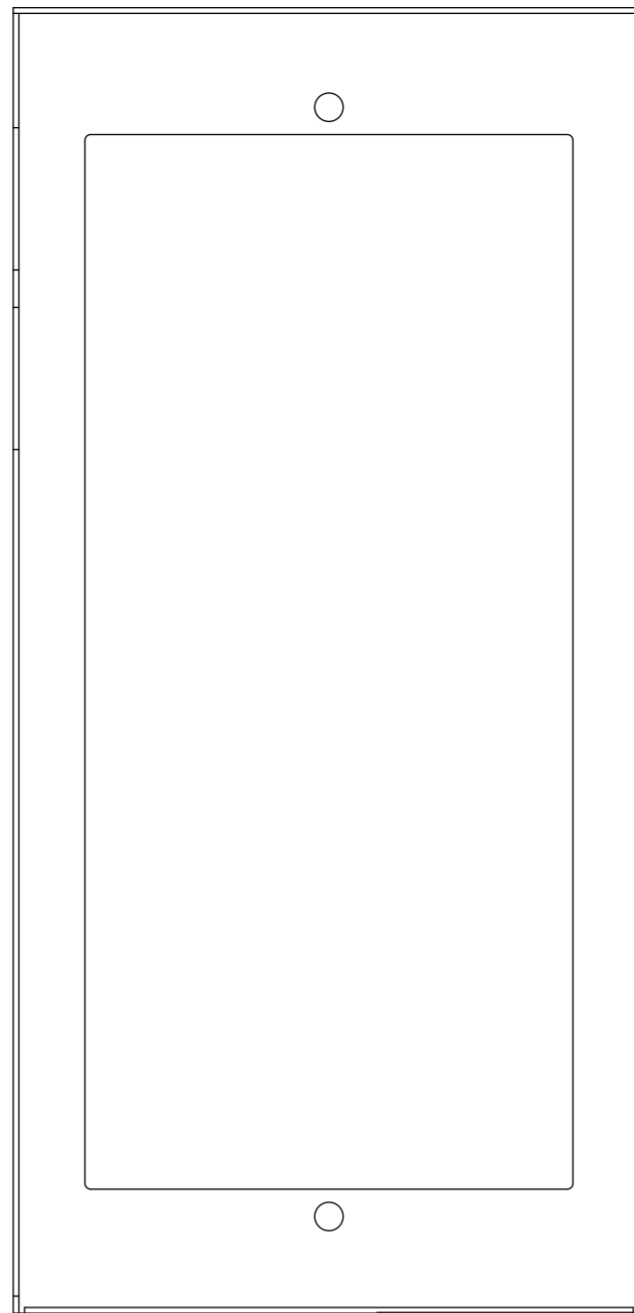
⑤ **TOP VIEW**



① INTERCOM PANEL FRONT VIEW

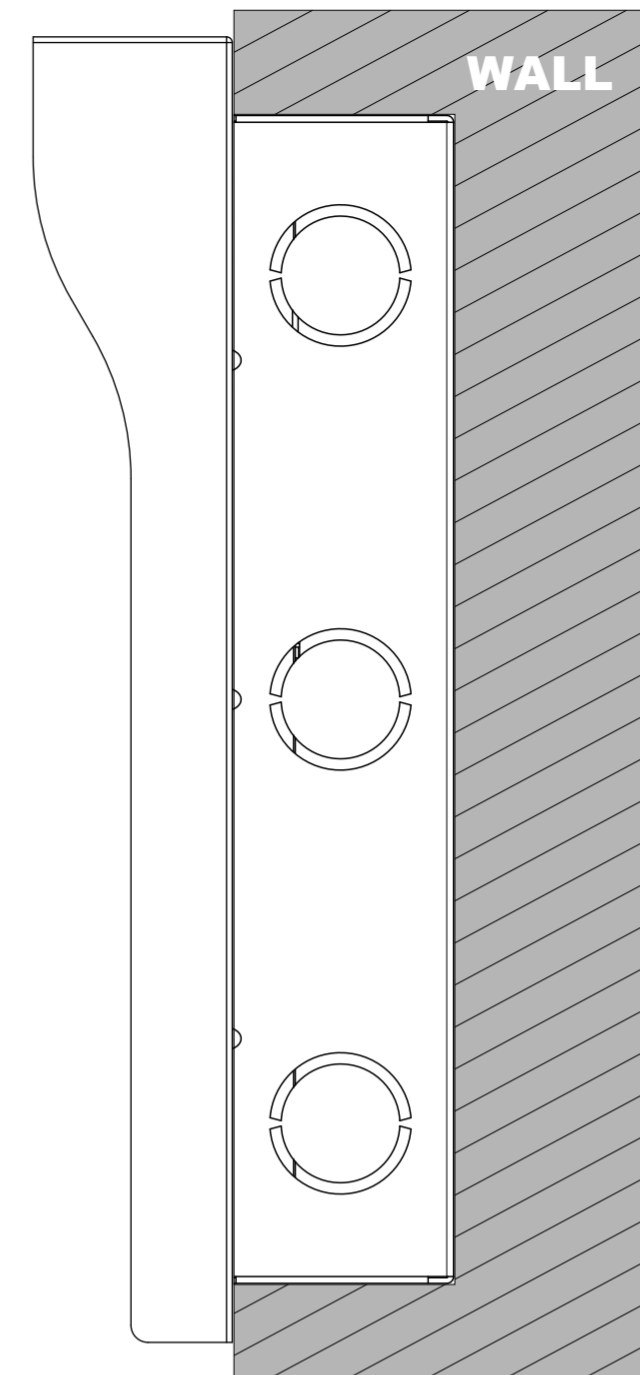
1214.5mm TO BOTTOM OF BRACKET

1400mm TO CENTER OF CAMERA



② FRONT VIEW:WALL MOUNTING BRACKET PLACEMENT

1213mm TO BOTTOM OF BRACKET



③ SIDE VIEW:INTERCOM PANEL IN WALL

ADA Compliance Requirement

GROUND

GROUND

Applicable Model

R20BX3

Drawing Title

Placement

Drawing Unit

mm

Drawing Scale

Not to scale

**DRAFT
SUBJECT TO
CHANGE**

Last Revised

Oct 09,2023

Drawing Version

V1.0

Page

10 of 10