

Applicable Model
R25A

Drawing Title
Intercom Panel

Drawing Unit
mm

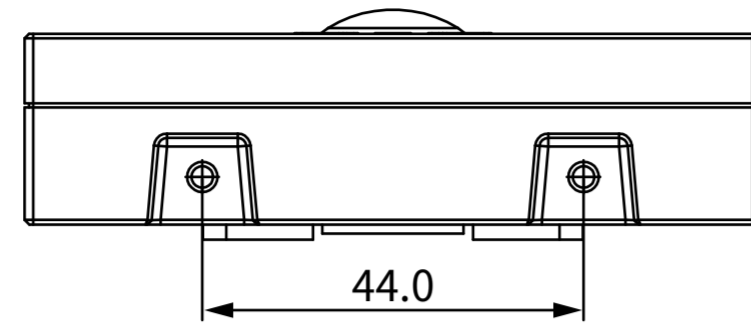
Drawing Scale
Not to Scale

DRAFT
SUBJECT TO
CHANGE

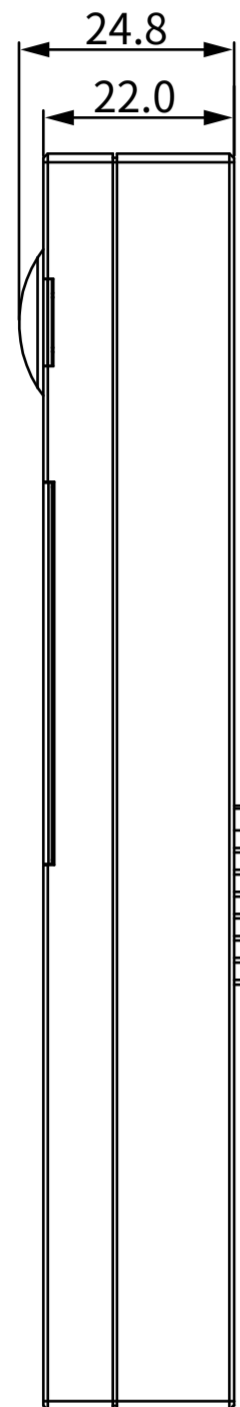
Last Revised
Aug 27, 2024

Drawing Version
V1.0

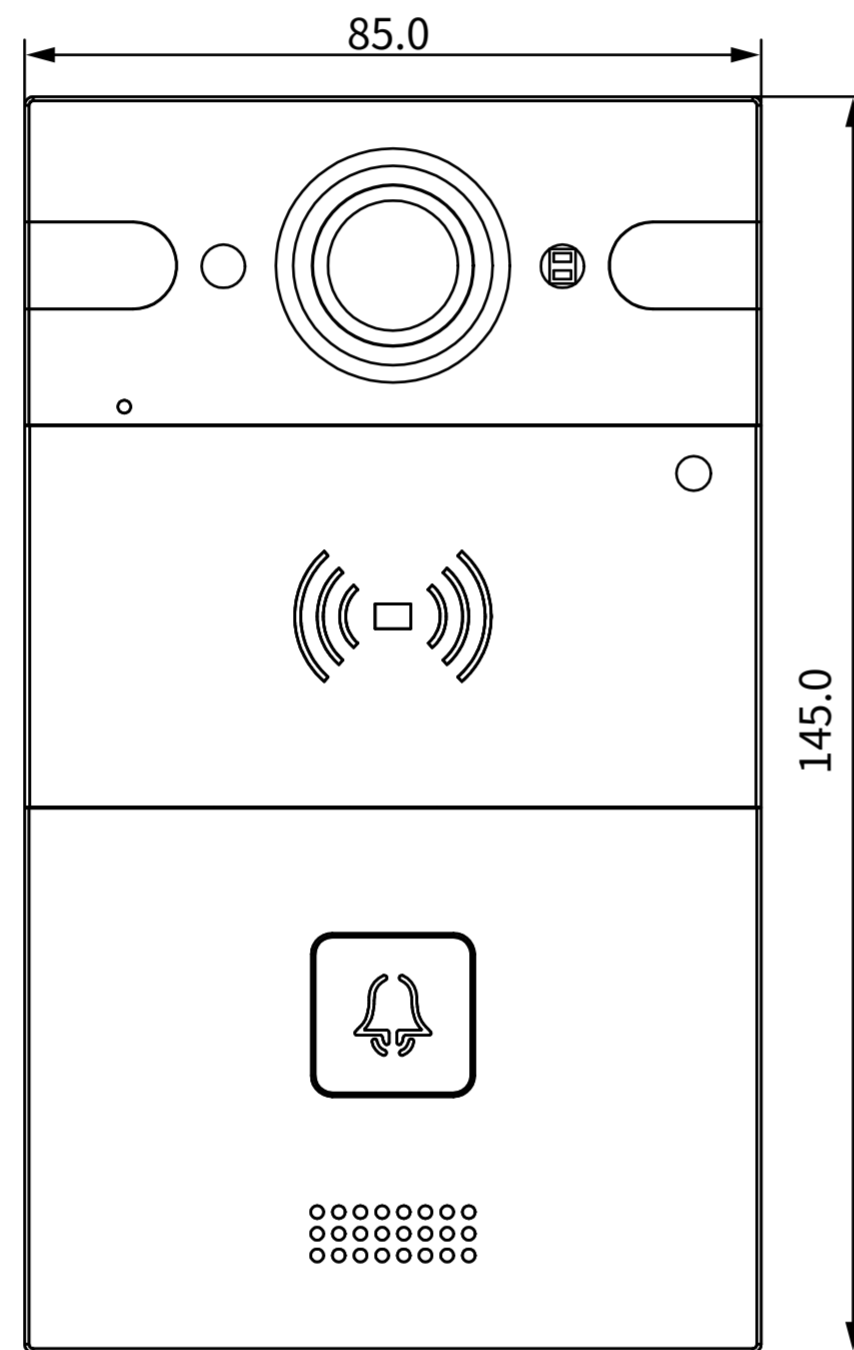
Page
1 of 6



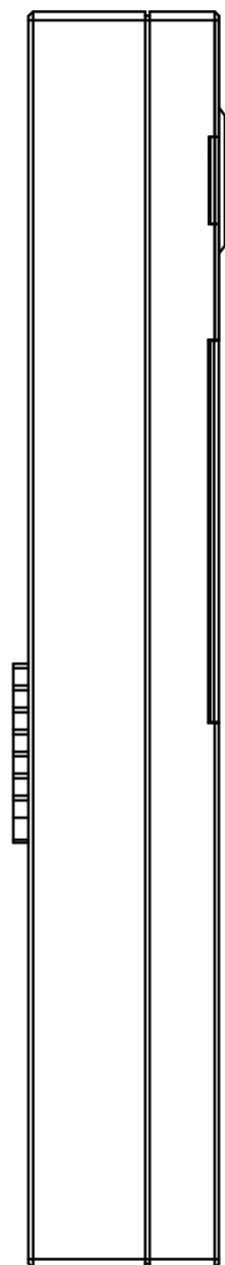
⑥ **BOTTOM VIEW**



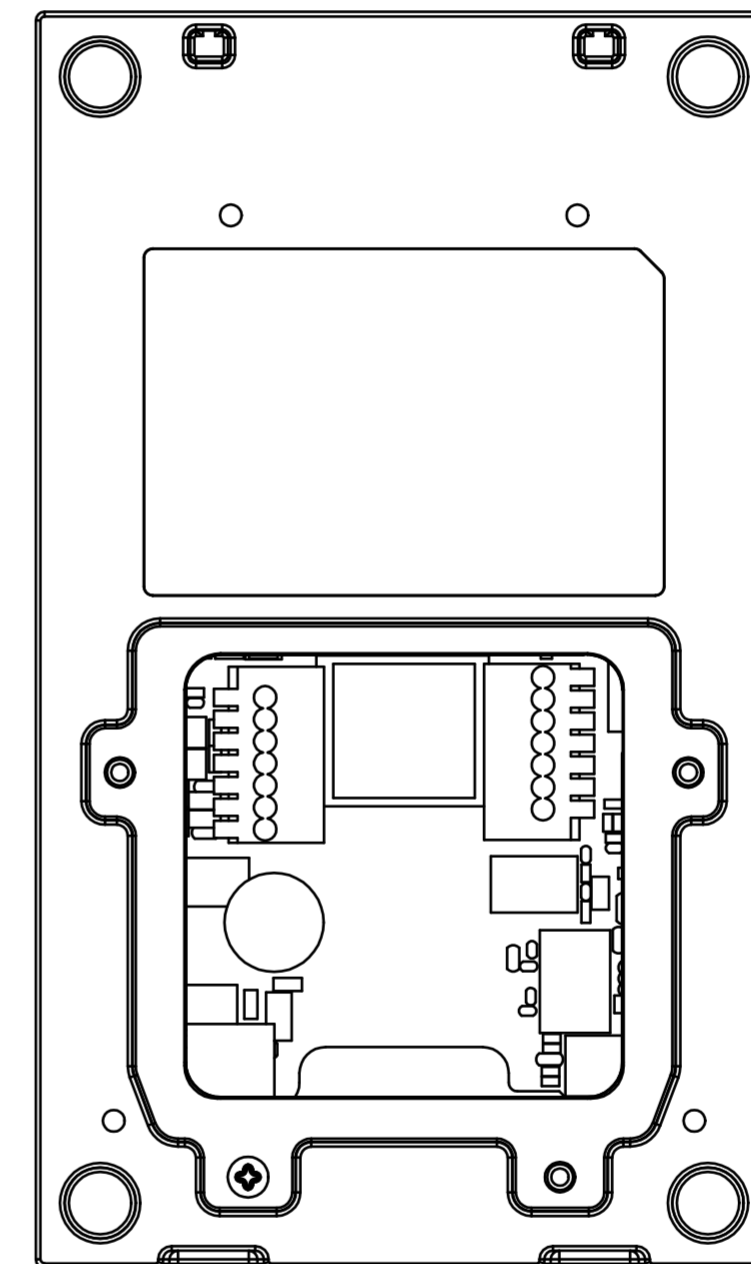
② **RIGHT VIEW**



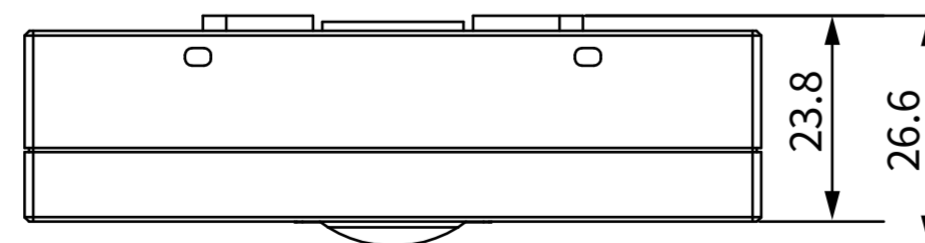
① **FRONT VIEW**



③ **LEFT VIEW**



④ **BACK VIEW**



⑤ **TOP VIEW**

Applicable Model
R25A

Drawing Title
Wall Mounting Bracket

Drawing Unit
mm

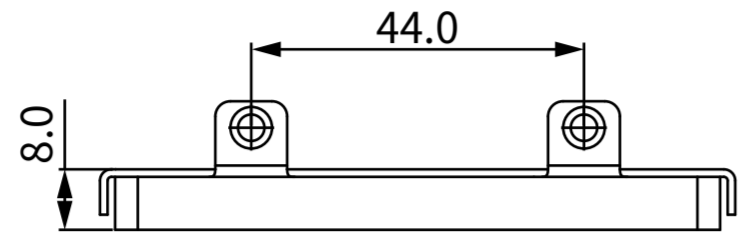
Drawing Scale
Not to Scale

DRAFT
SUBJECT TO
CHANGE

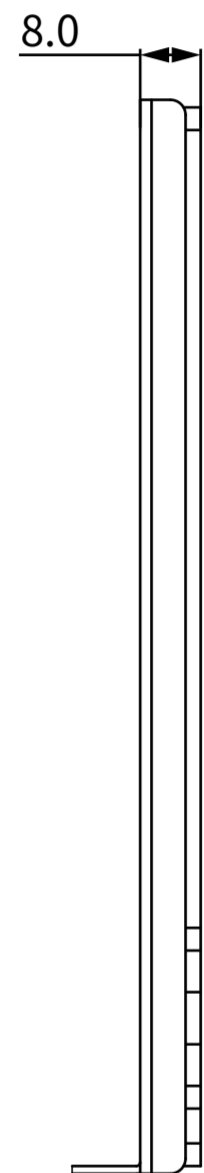
Last Revised
Aug 27, 2024

Drawing Version
V1.0

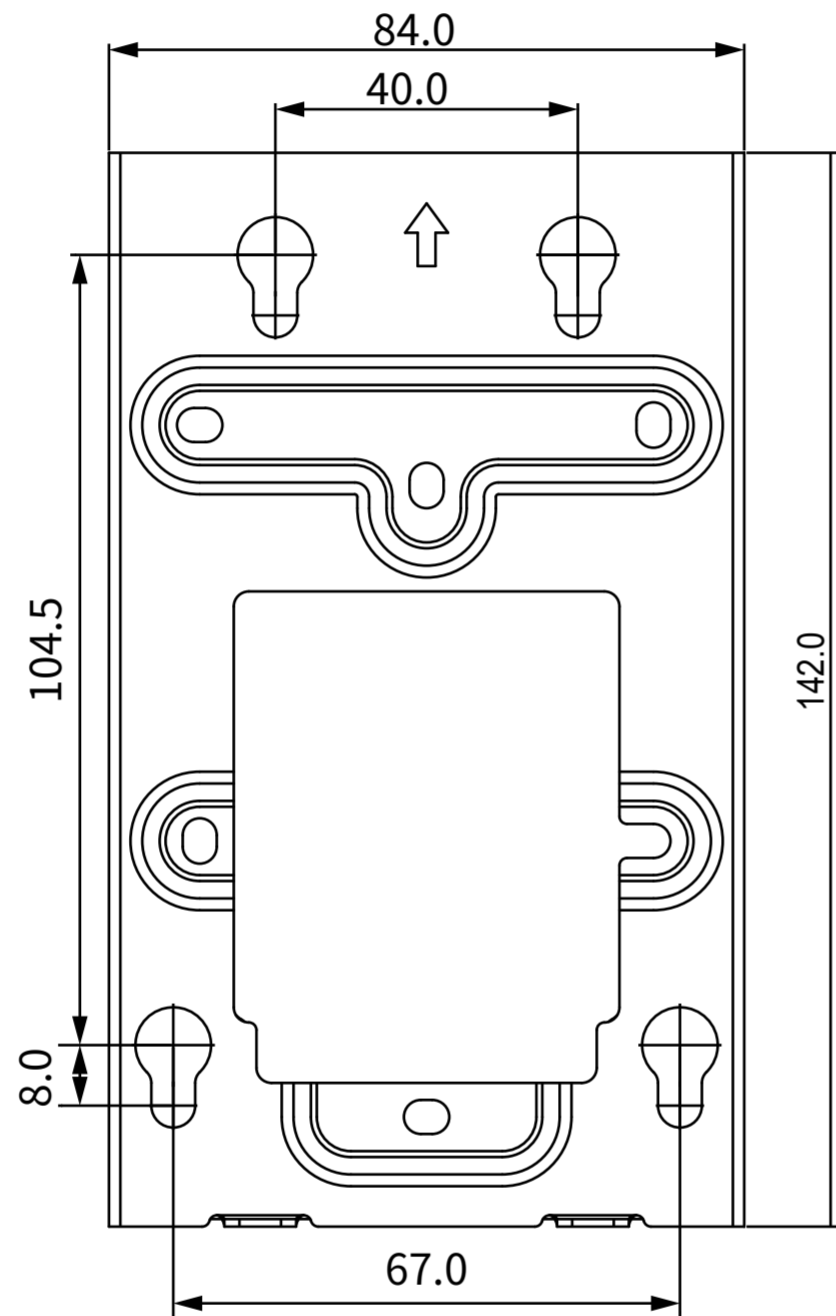
Page
2 of 6



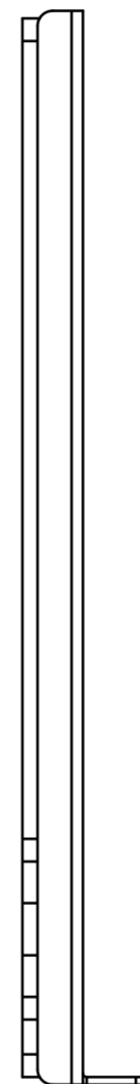
⑥ **BOTTOM VIEW**



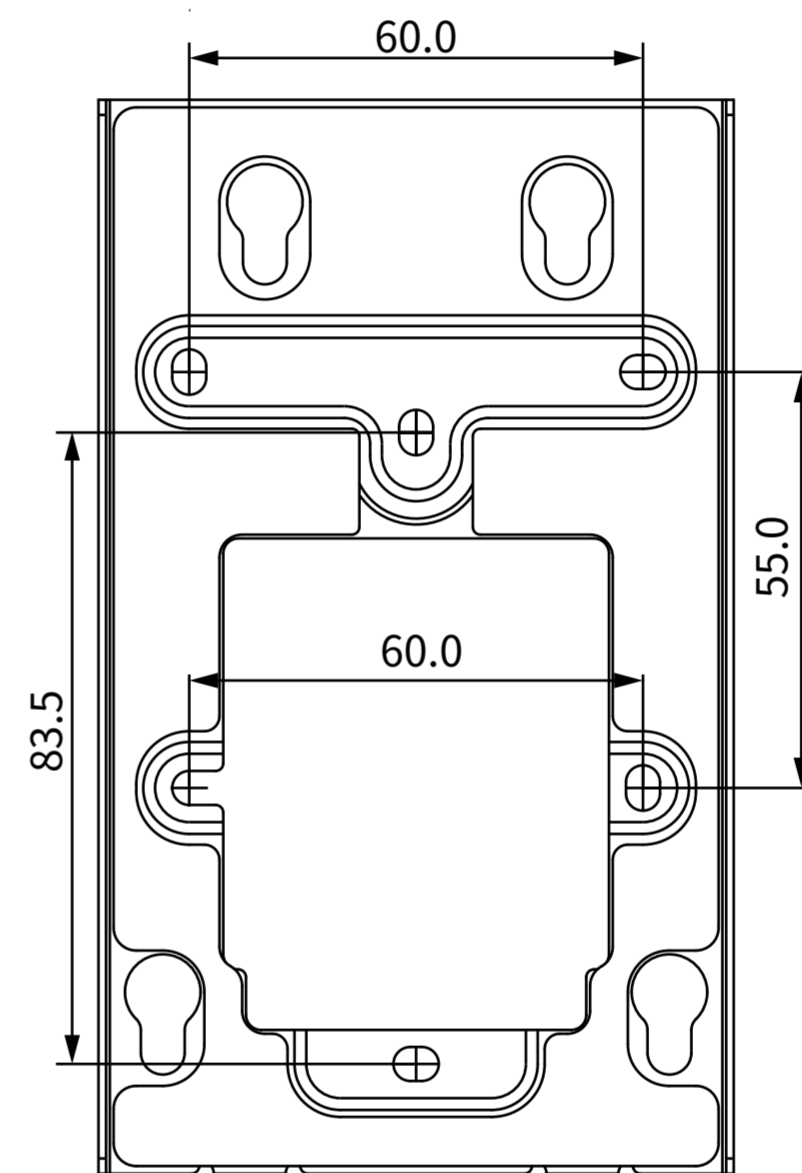
② **RIGHT VIEW**



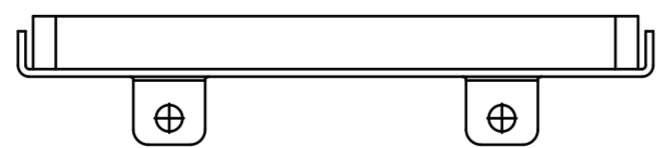
① **FRONT VIEW**



③ **LEFT VIEW**



④ **BACK VIEW**



⑤ **TOP VIEW**

Applicable Model
R25A

Drawing Title
Placement

Drawing Unit
mm

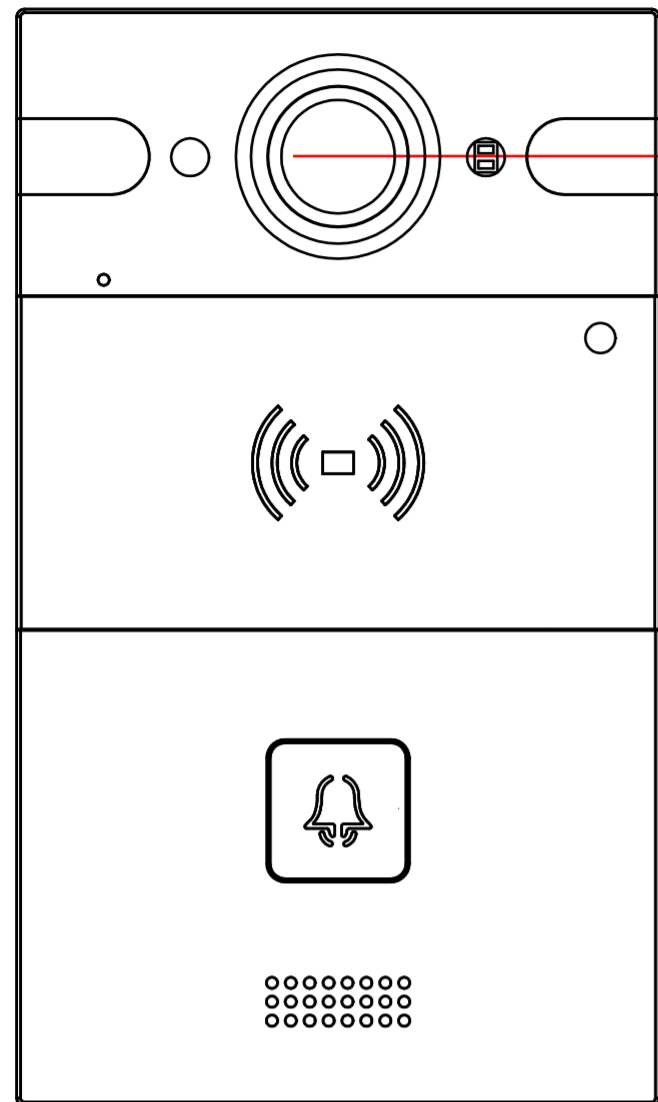
Drawing Scale
Not to Scale

DRAFT
SUBJECT TO
CHANGE

Last Revised
Aug 27, 2024

Drawing Version
V1.0

Page
3 of 6



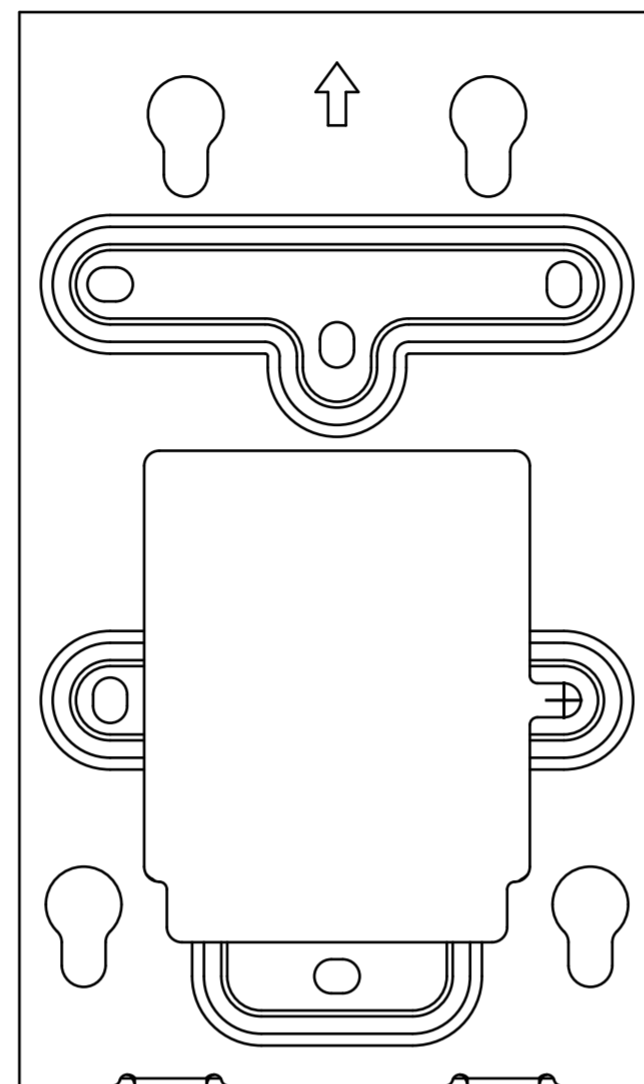
① INTERCOM PANEL FRONT VIEW

1374.5mm TO BOTTOM OF PANEL

1500mm TO CENTER OF CAMERA

ADA Compliance Requirement

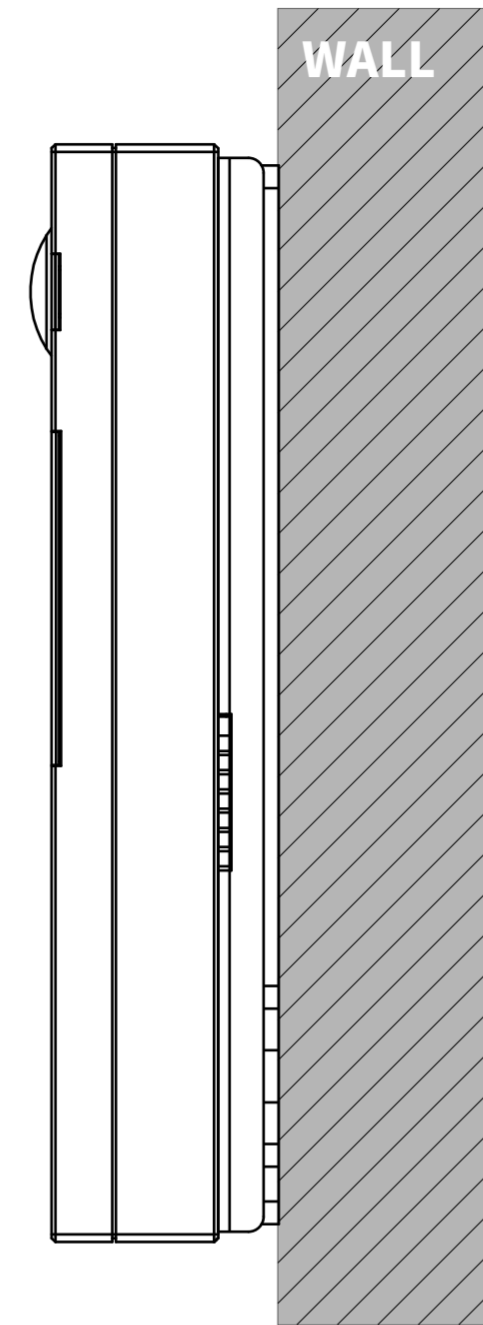
GROUND



② FRONT VIEW: WALL MOUNTING BRACKET PLACEMENT

1374.5mm TO BOTTOM OF BRACKET

GROUND



③ SIDE VIEW: INTERCOM PANEL ON WALL

WALL

Applicable Model
R25A

Drawing Title
Decorative Panel

Drawing Unit
mm

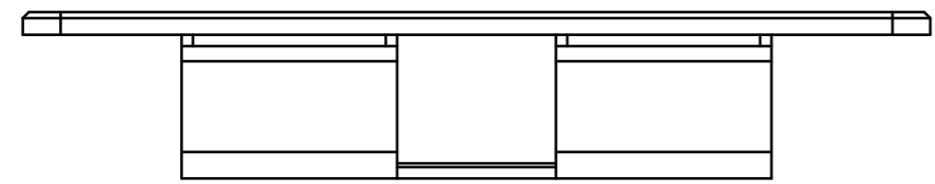
Drawing Scale
Not to Scale

DRAFT
SUBJECT TO
CHANGE

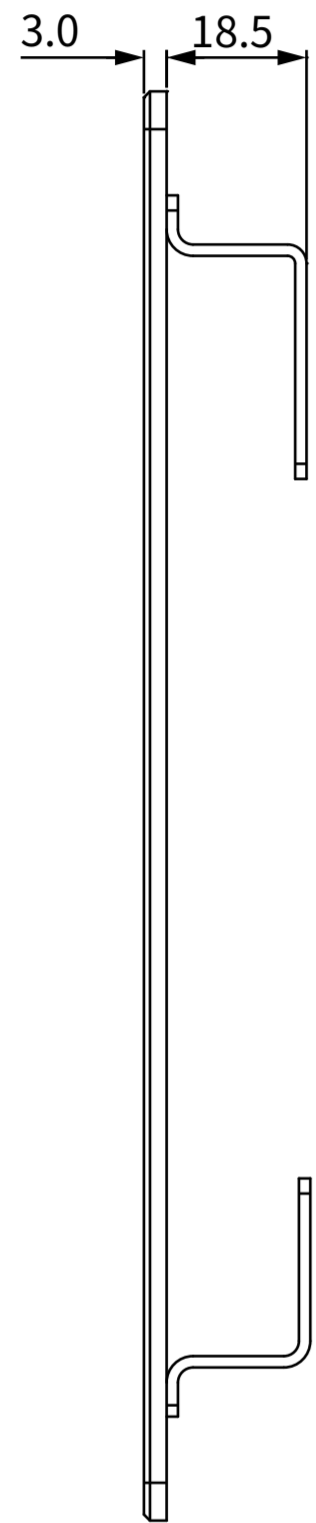
Last Revised
Aug 27, 2024

Drawing Version
V1.0

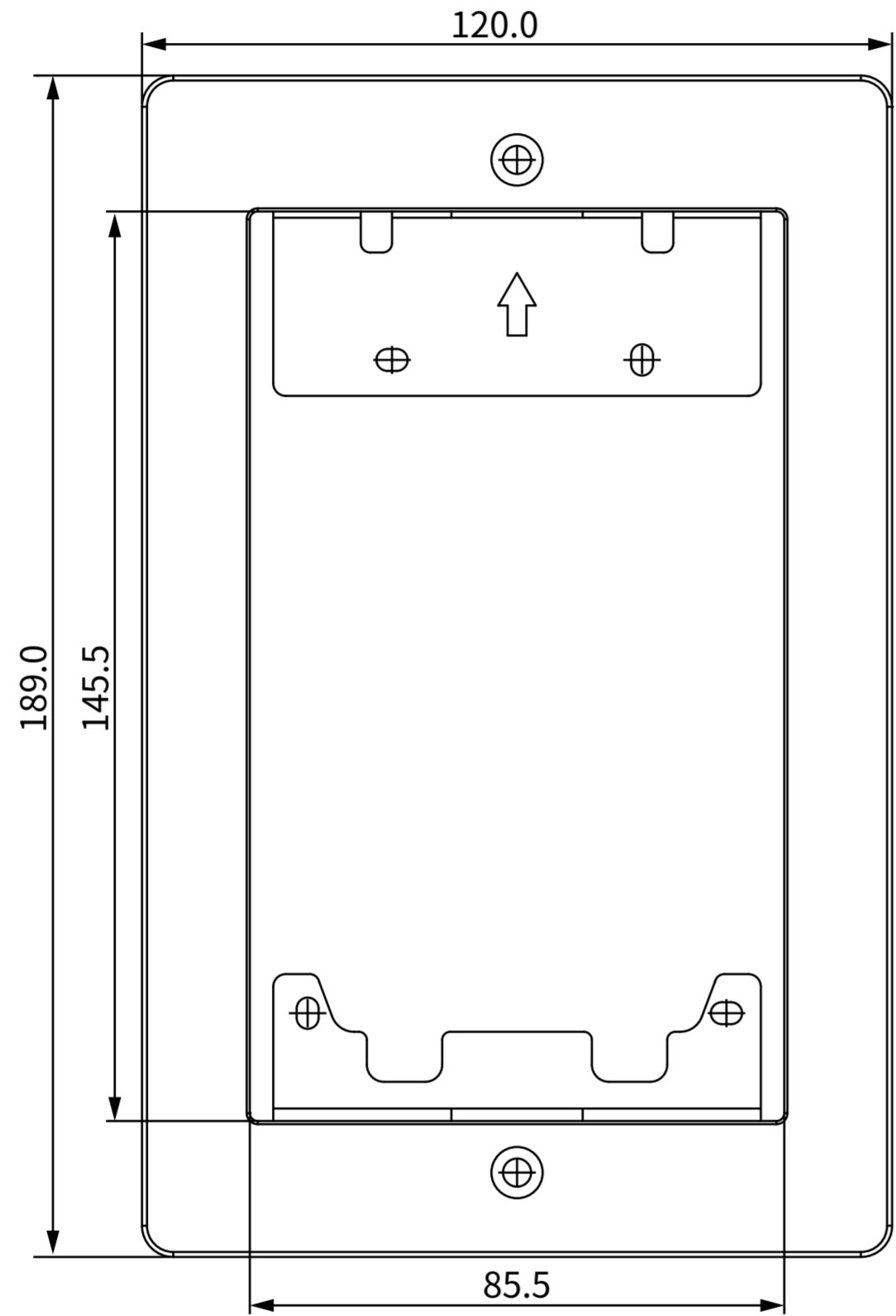
Page
4 of 6



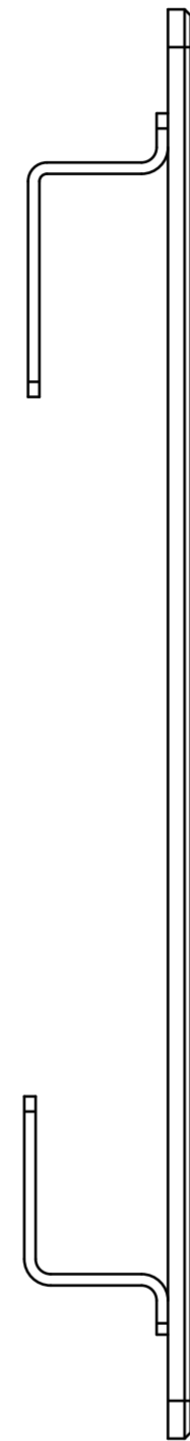
⑥ **BOTTOM VIEW**



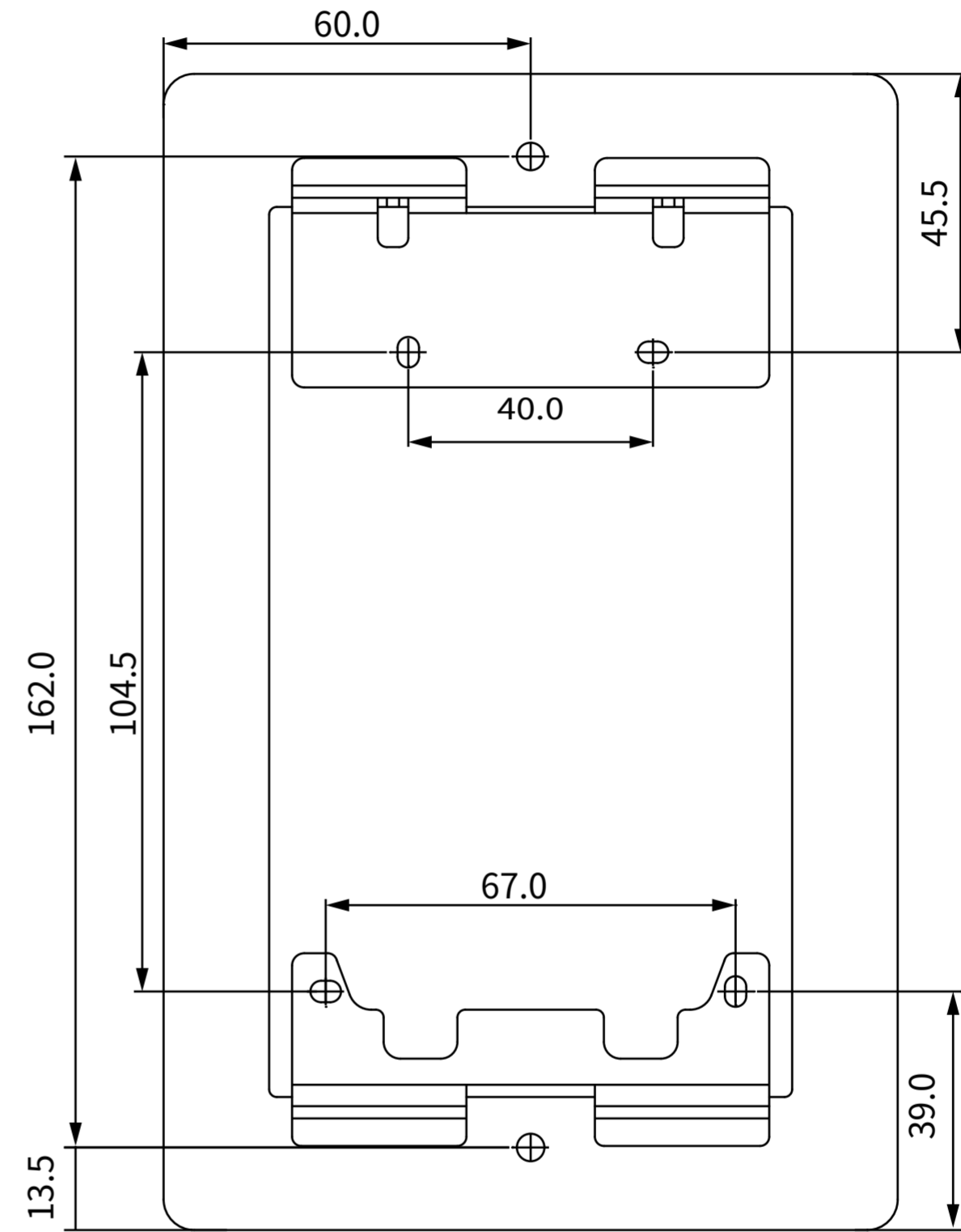
② **RIGHT VIEW**



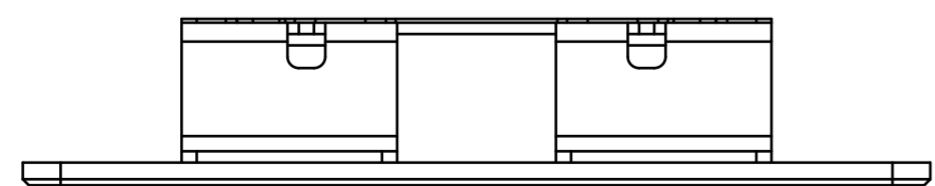
① **FRONT VIEW**



③ **LEFT VIEW**



④ **BACK VIEW**



⑤ **TOP VIEW**

Applicable Model
R25A

Drawing Title
Flush Mounting Box

Drawing Unit
mm

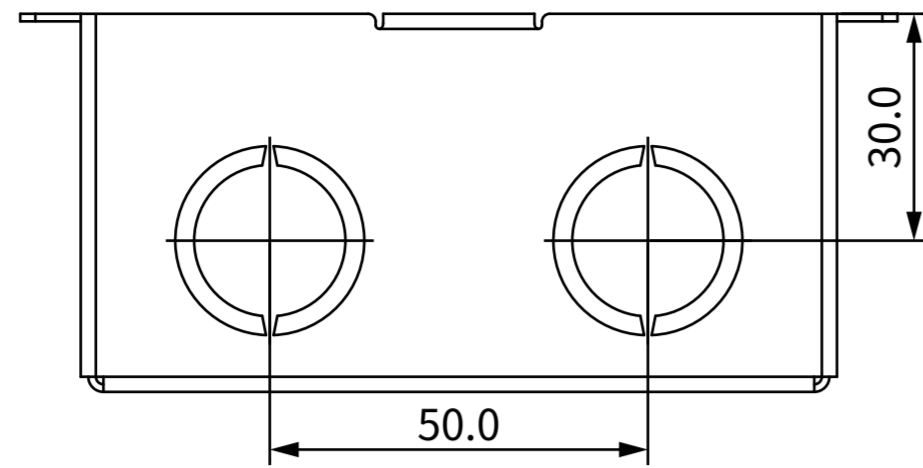
Drawing Scale
Not to Scale

DRAFT
SUBJECT TO
CHANGE

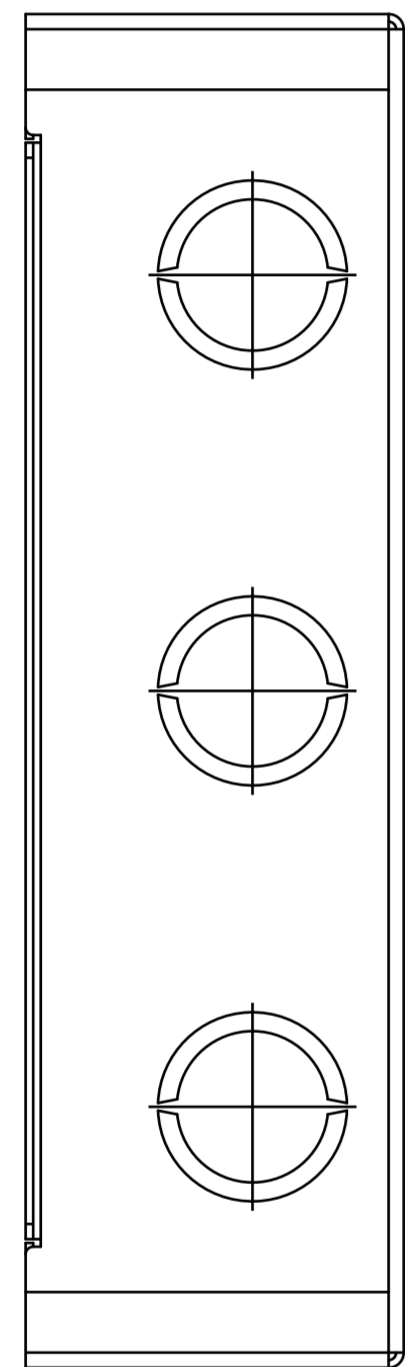
Last Revised
Aug 27, 2024

Drawing Version
V1.0

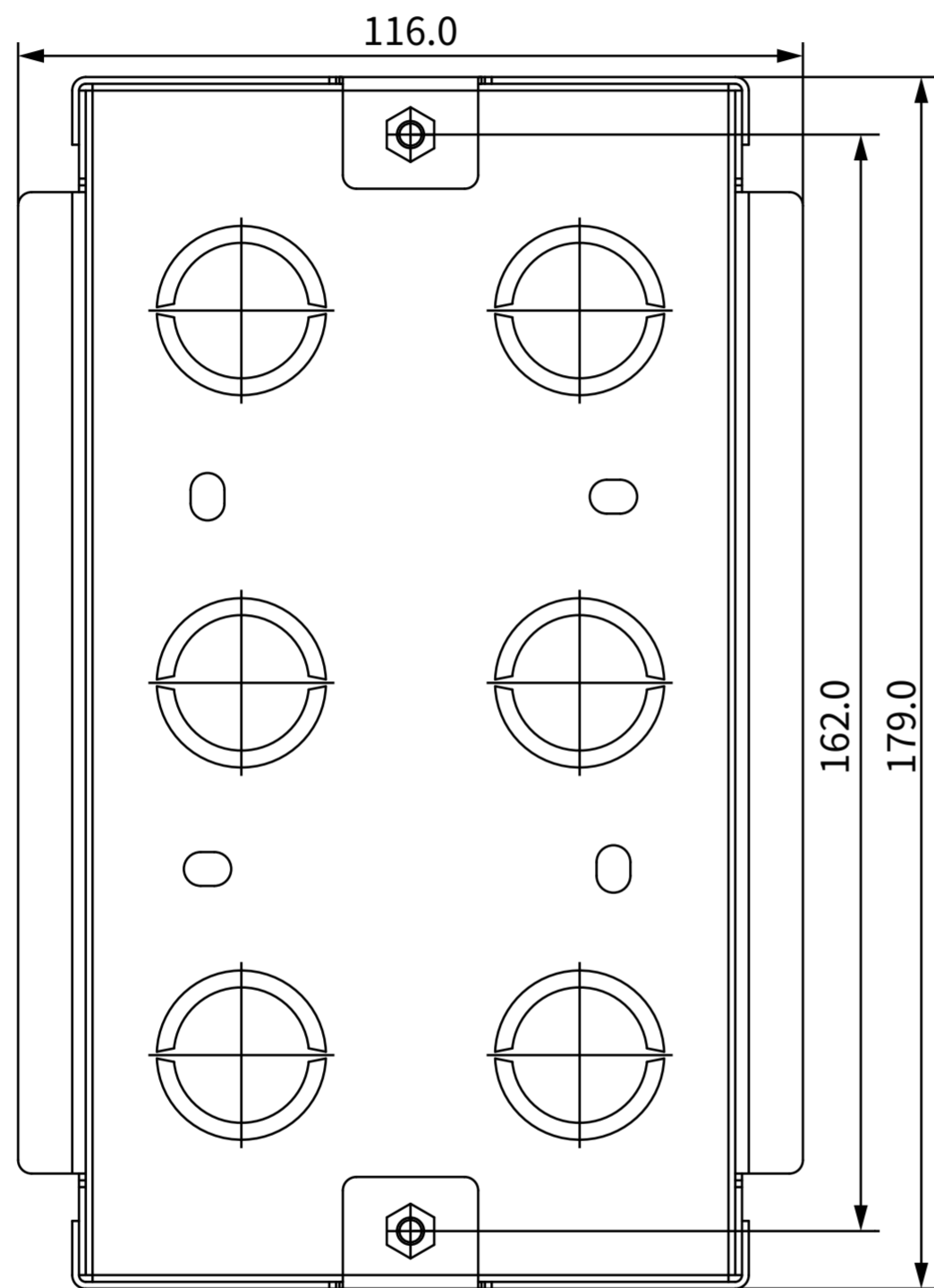
Page
5 of 6



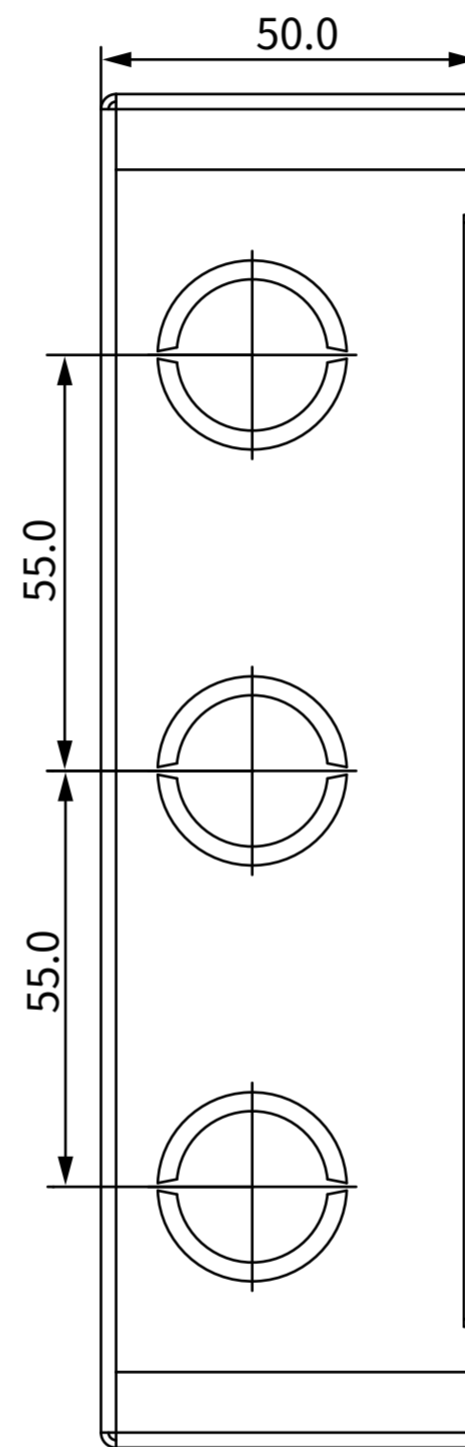
⑥ **BOTTOM VIEW**



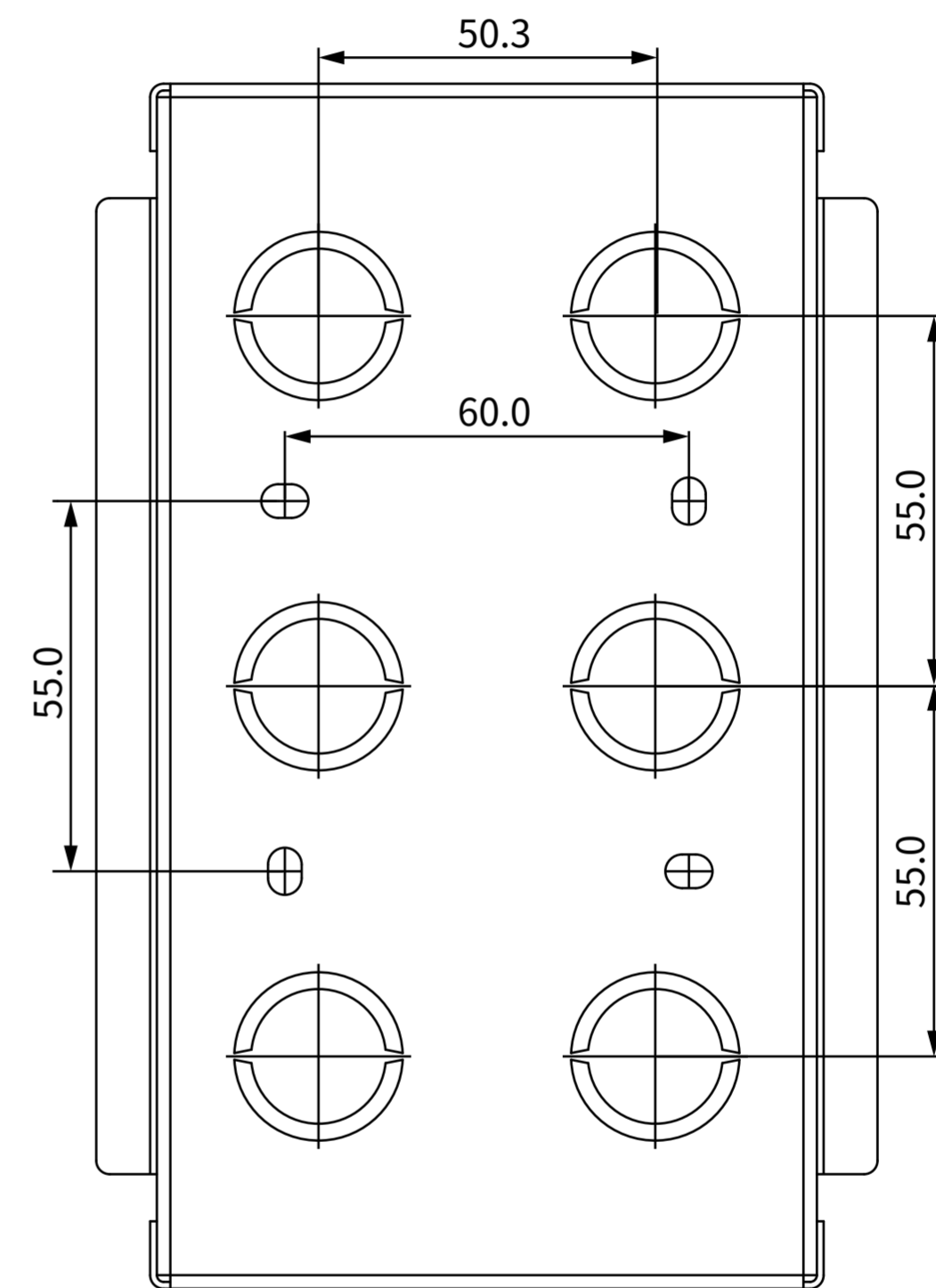
② **RIGHT VIEW**



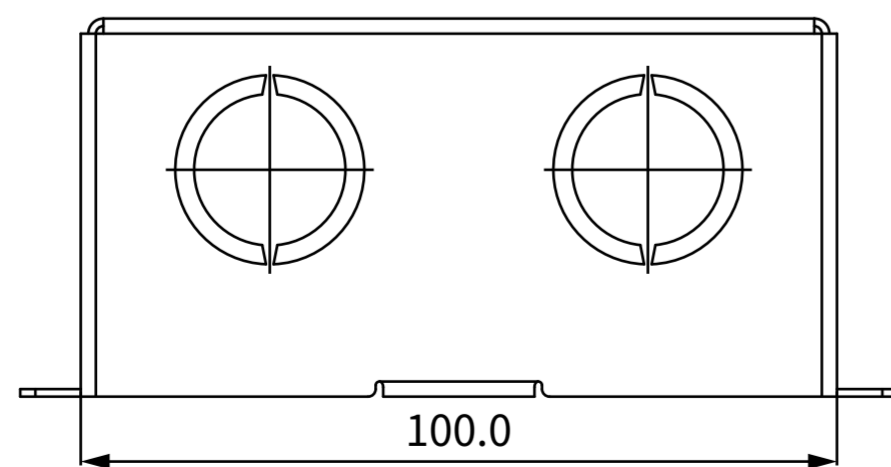
① **FRONT VIEW**



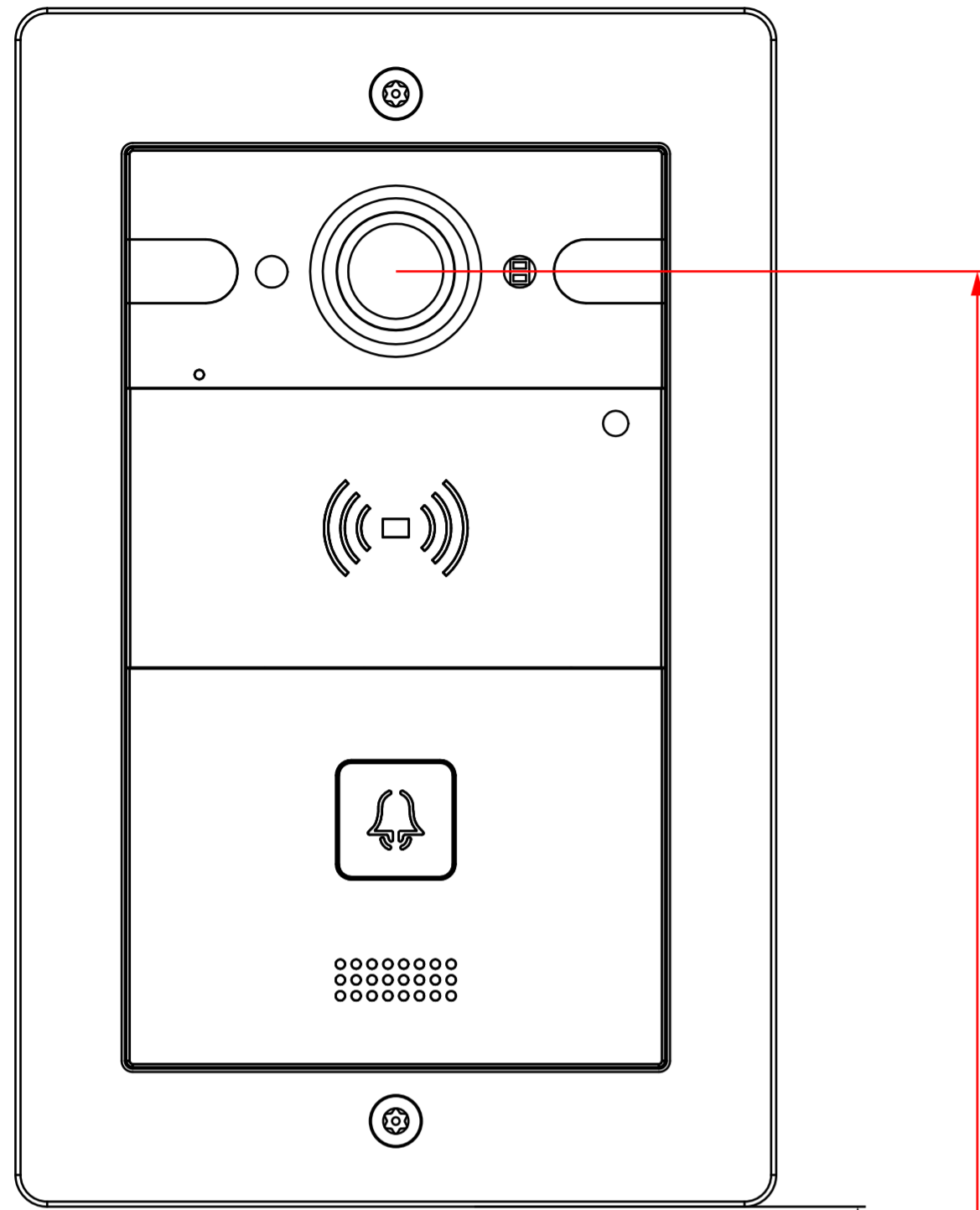
③ **LEFT VIEW**



④ **BACK VIEW**



⑤ **TOP VIEW**

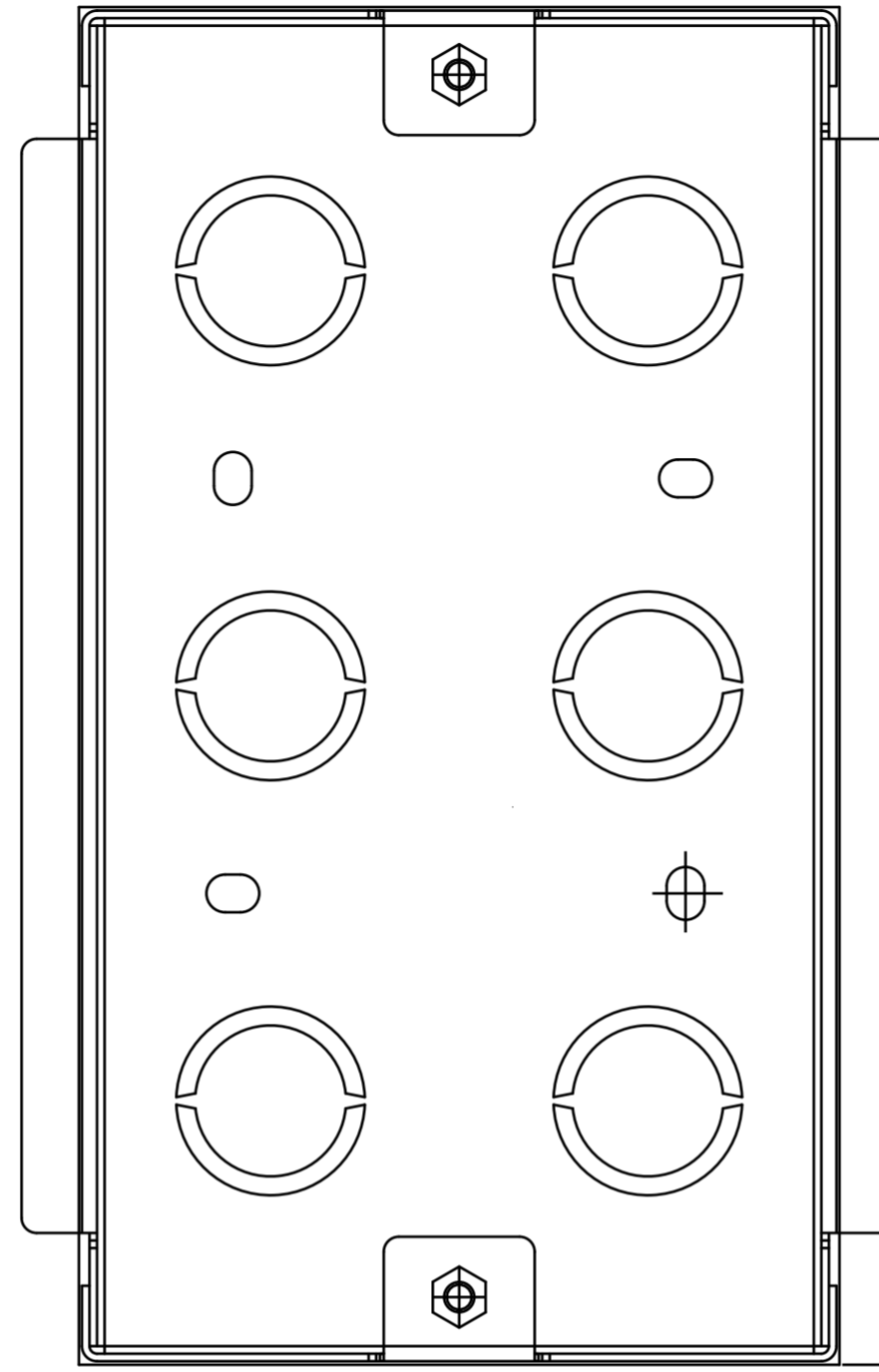


1352.75mm TO BOTTOM OF DECORATIVE PANEL

1500mm TO CENTER OF CAMERA

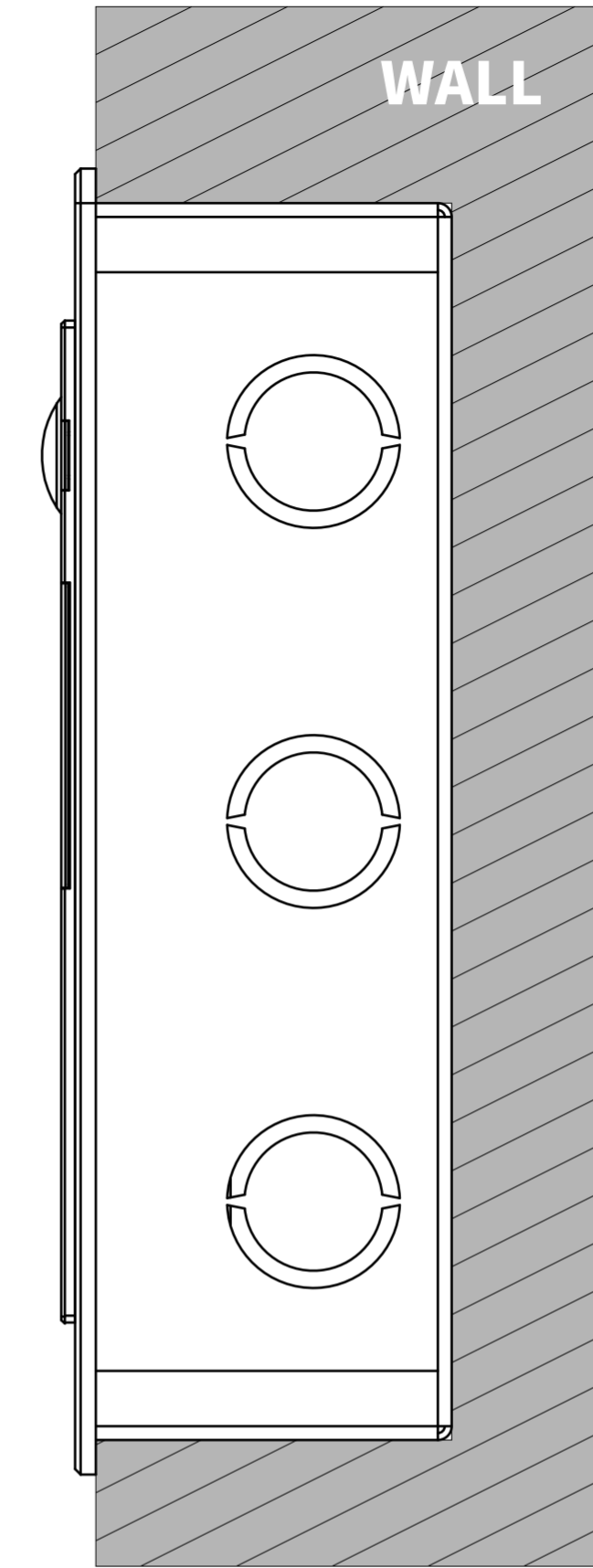
ADA Compliance Requirement

GROUND



1357.5mm TO BOTTOM OF BRACKET

GROUND



WALL

Applicable Model
R25A

Drawing Title
Placement

Drawing Unit
mm

Drawing Scale
Not to Scale

DRAFT
SUBJECT TO
CHANGE

Last Revised
Aug 27, 2024

Drawing Version
V1.0

Page
6 of 6