

Applicable Model

R29

Drawing Title

Intercom Panel

Drawing Unit

mm

Drawing Scale

Not to scale

**DRAFT
SUBJECT TO
CHANGE**

Last Revised

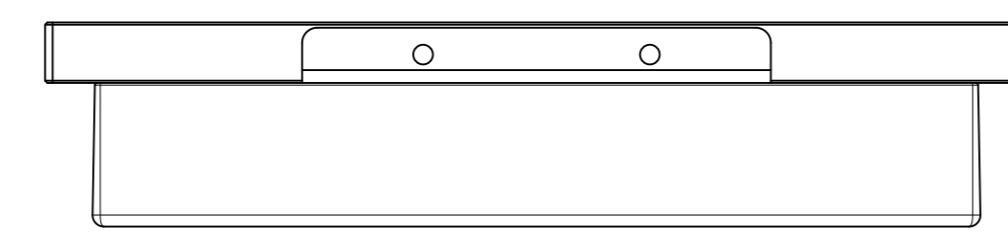
Dec 21,2023

Drawing Version

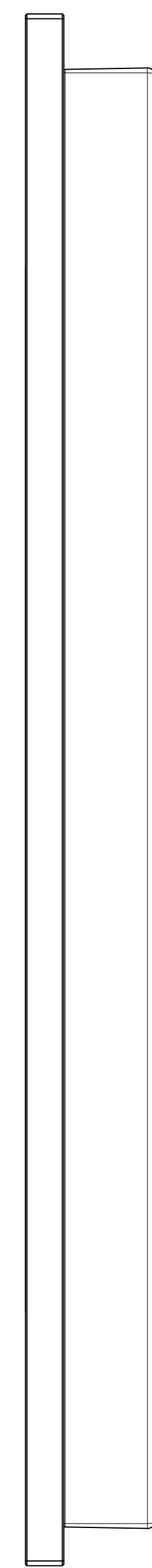
V1.0

Page

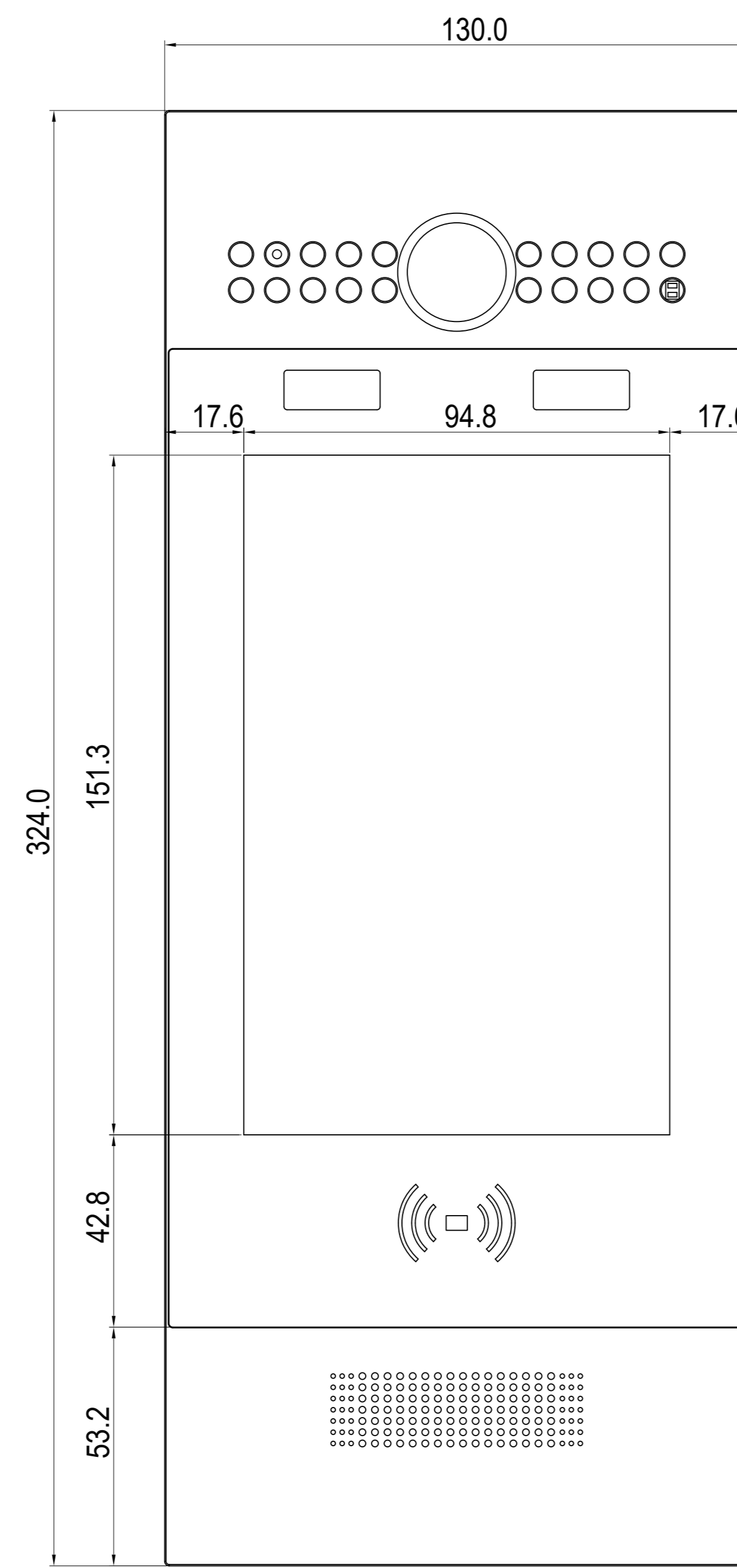
1 of 5



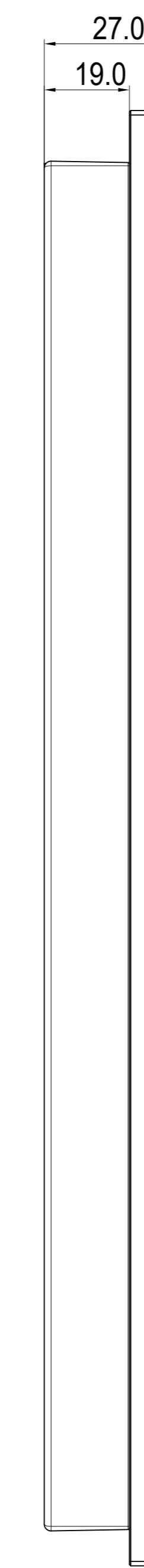
6 **BOTTOM VIEW**



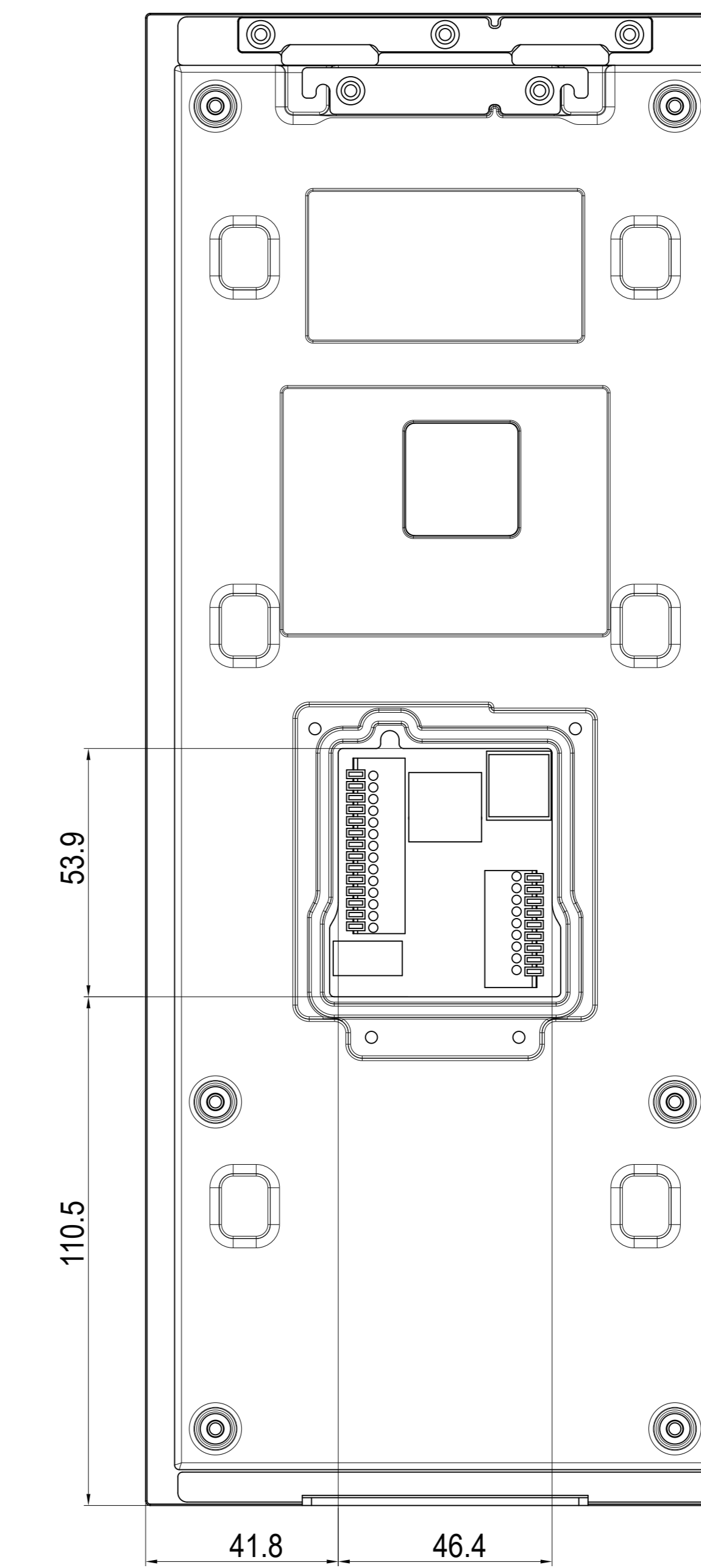
2 **RIGHT VIEW**



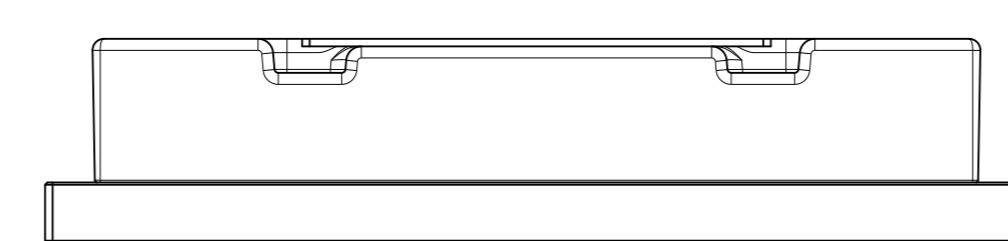
1 **FRONT VIEW**



3 **LEFT VIEW**



4 **BACK VIEW**



5 **TOP VIEW**

Applicable Model
R29

Drawing Title
Wall Mounting Bracket

Drawing Unit
mm

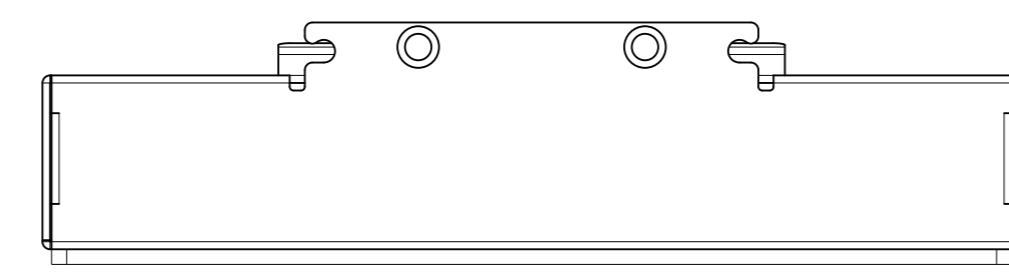
Drawing Scale
Not to scale

DRAFT
SUBJECT TO
CHANGE

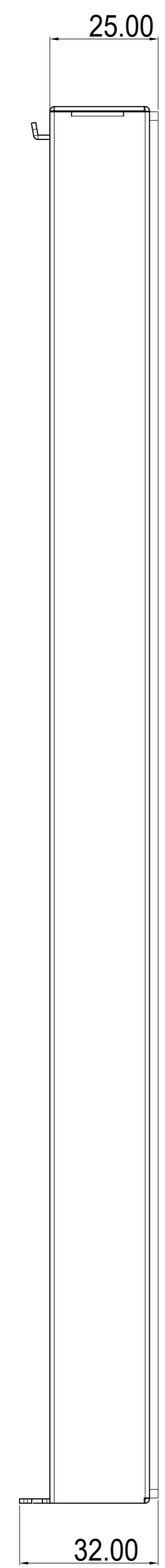
Last Revised
Dec 21,2023

Drawing Version
V1.0

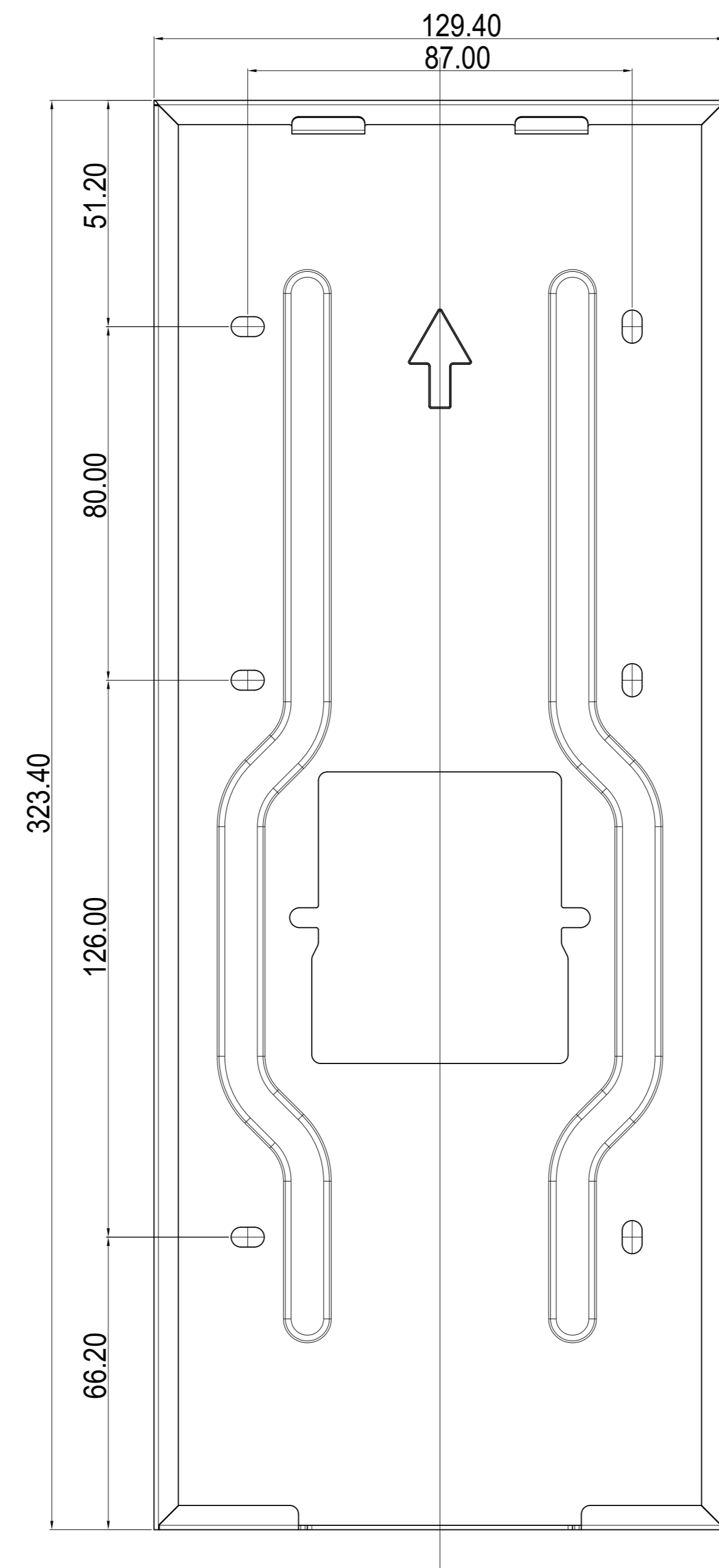
Page
2 of 5



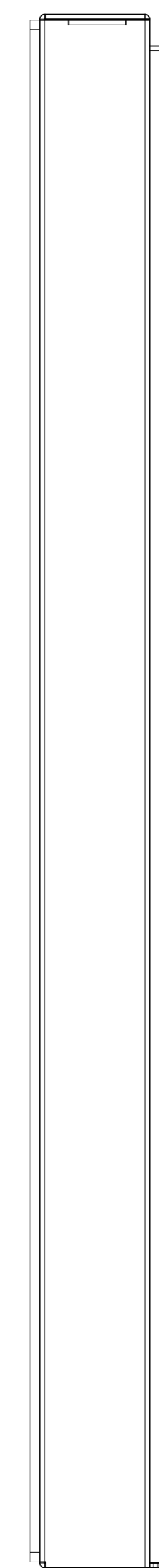
6 **BOTTOM VIEW**



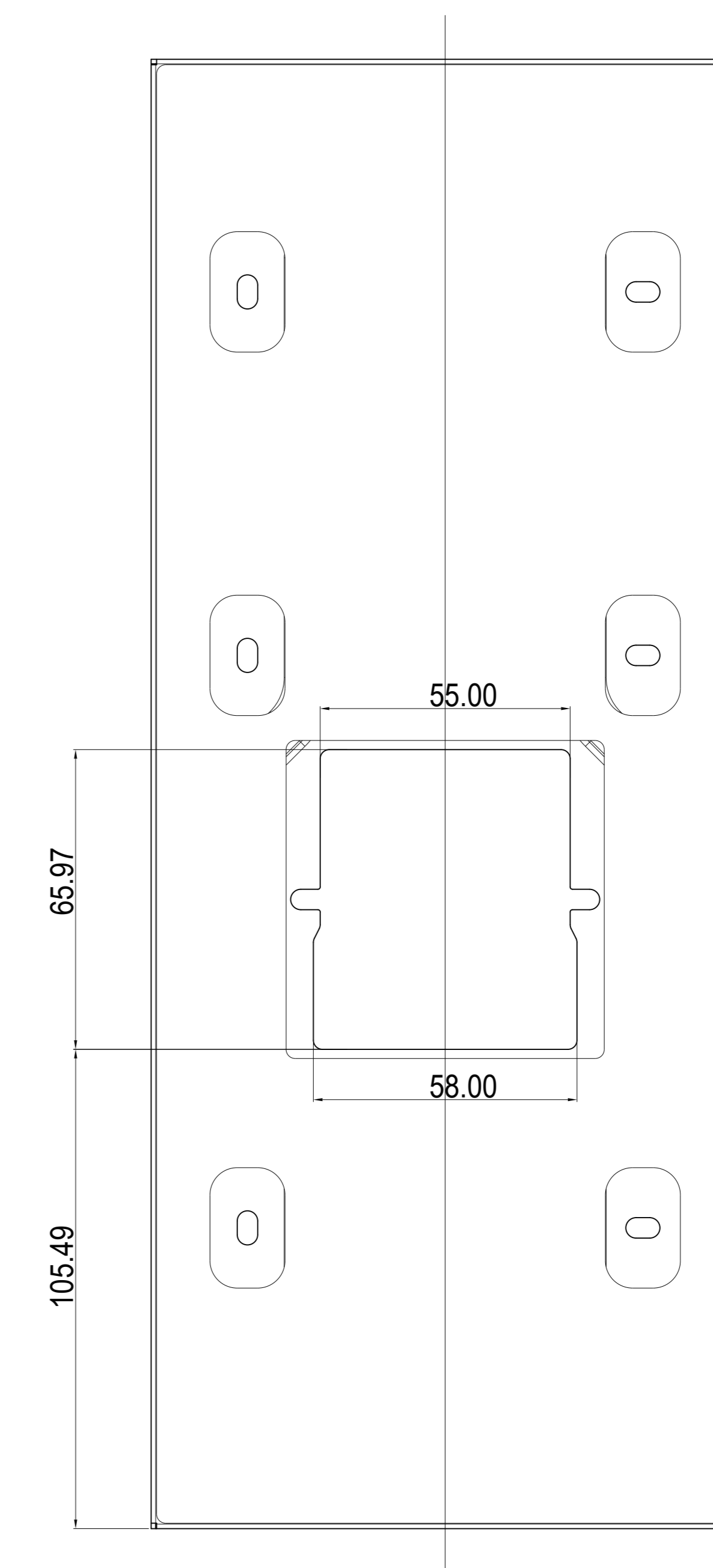
2 **RIGHT VIEW**



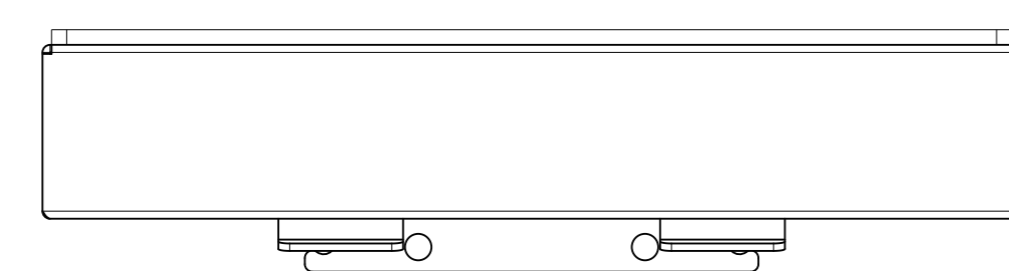
1 **FRONT VIEW**



3 **LEFT VIEW**



4 **BACK VIEW**



5 **TOP VIEW**

Applicable Model
R29

Drawing Title
Placement

Drawing Unit
mm

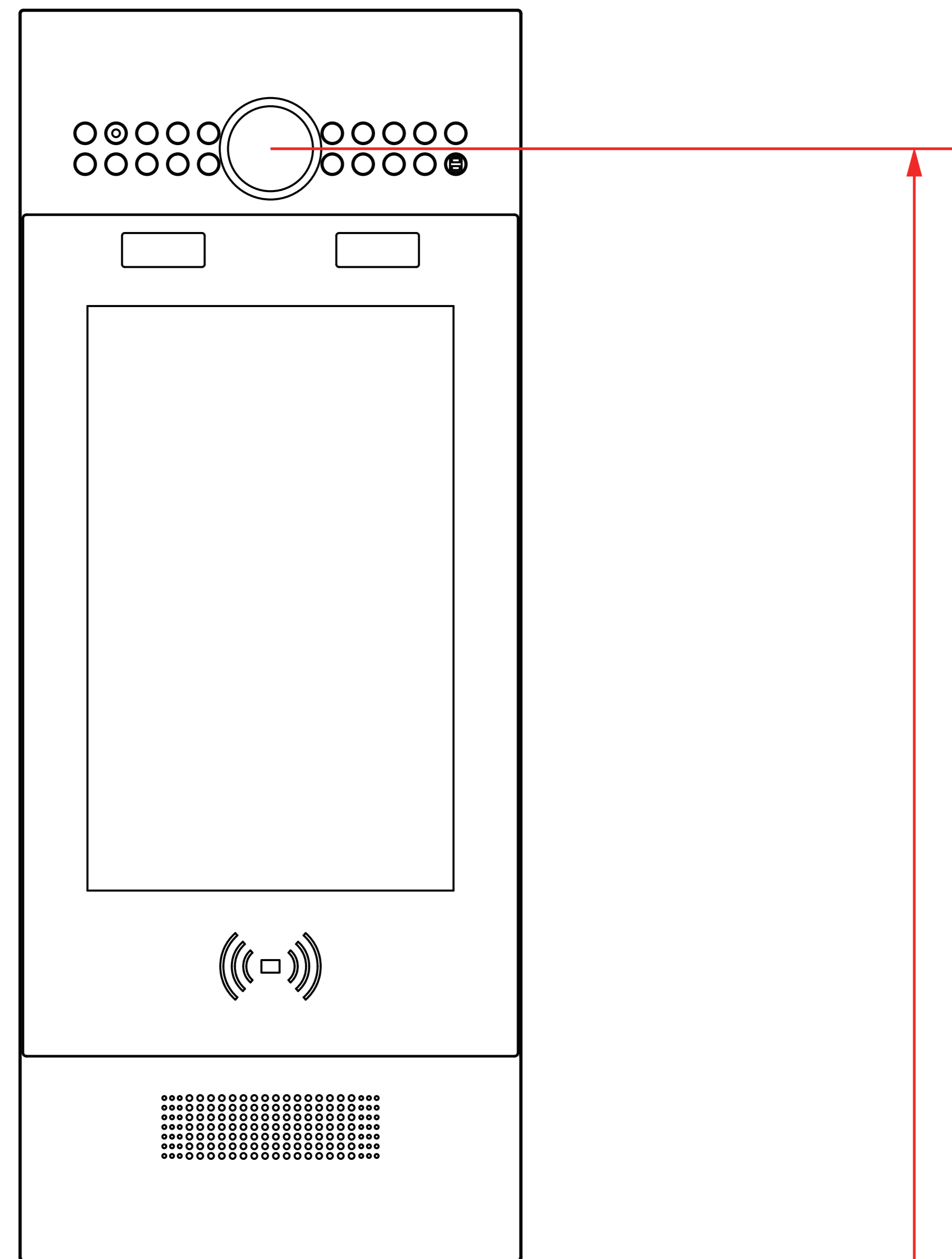
Drawing Scale
Not to scale

DRAFT
SUBJECT TO
CHANGE

Last Revised
Dec 21,2023

Drawing Version
V1.0

Page
3 of 5



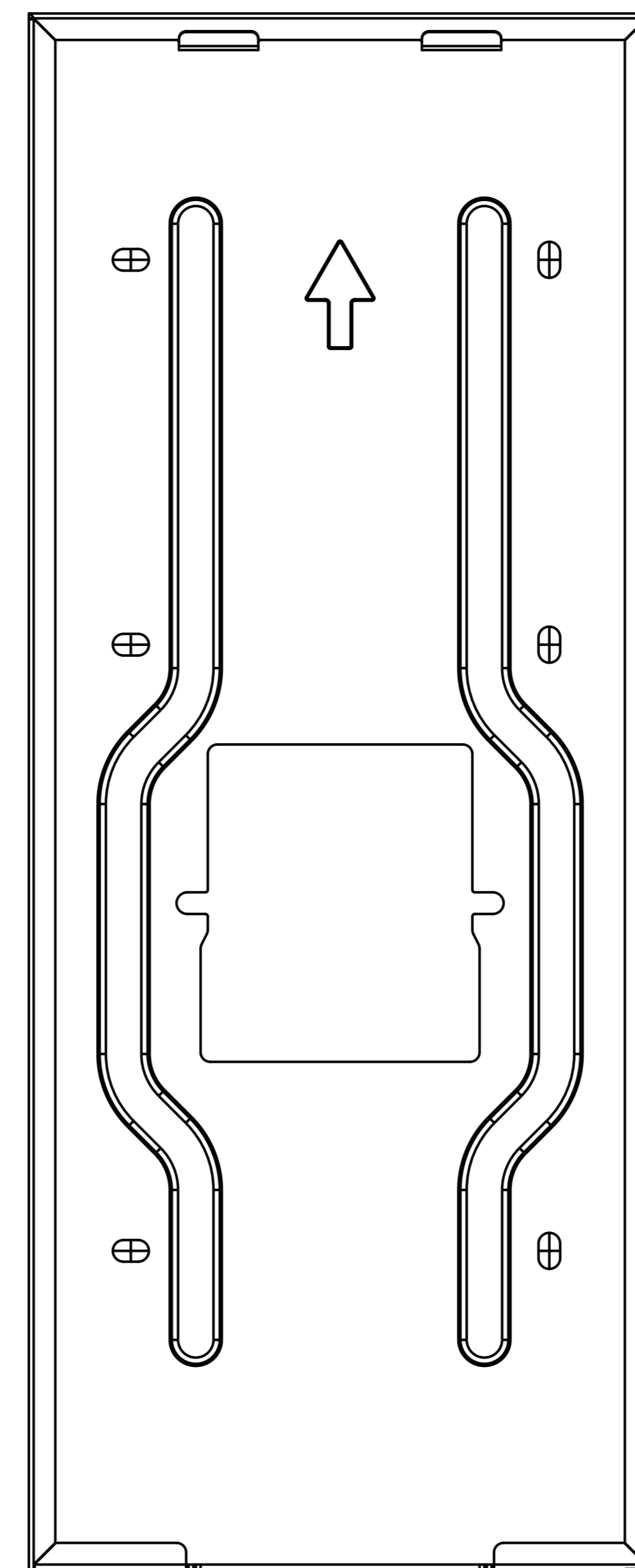
① INTERCOM PANEL FRONT VIEW

1212mm TO BOTTOM OF PANEL

1500mm MAX TO CENTER OF CAMERA

ADA Compliance Requirement

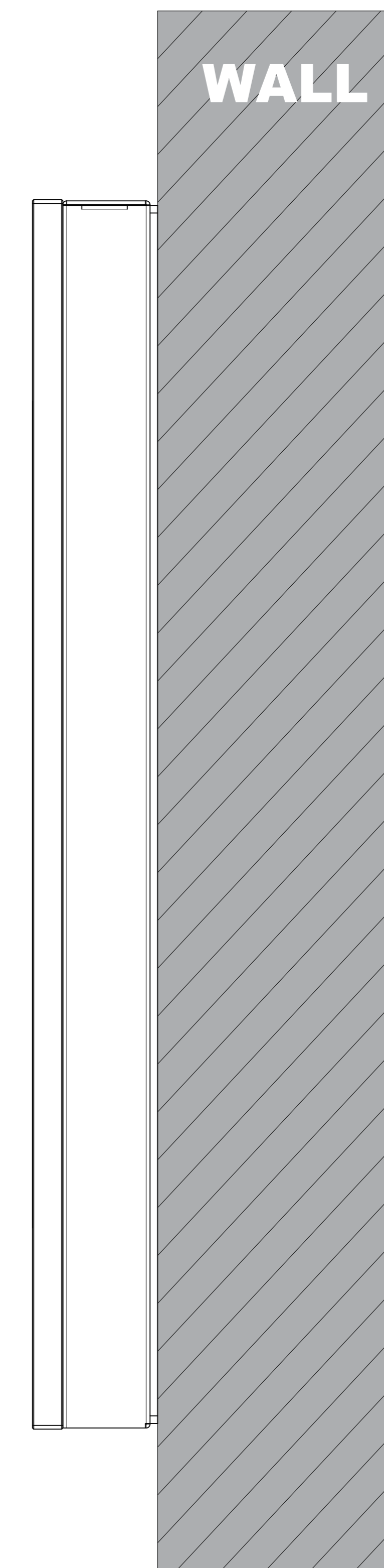
GROUND



② FRONT VIEW:WALL MOUNTING BRACKET PLACEMENT

1212mm TO BOTTOM OF BRACKET

GROUND



③ SIDE VIEW:INTERCOM ON WALL

Applicable Model

R29

Drawing Title

Flush Mounting Box

Drawing Unit

mm

Drawing Scale

Not to scale

**DRAFT
SUBJECT TO
CHANGE**

Last Revised

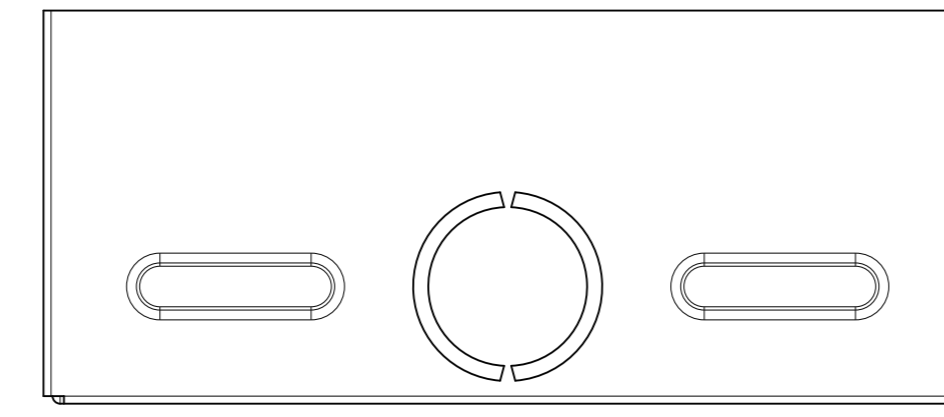
Dec 21,2023

Drawing Version

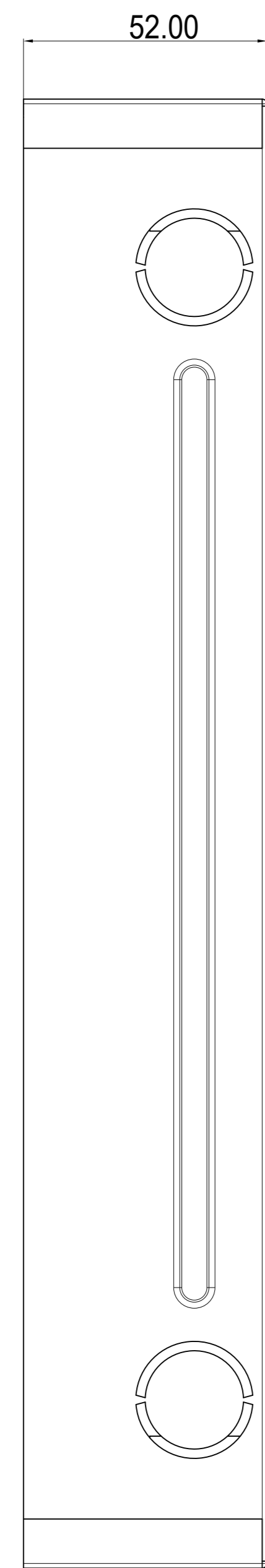
V1.0

Page

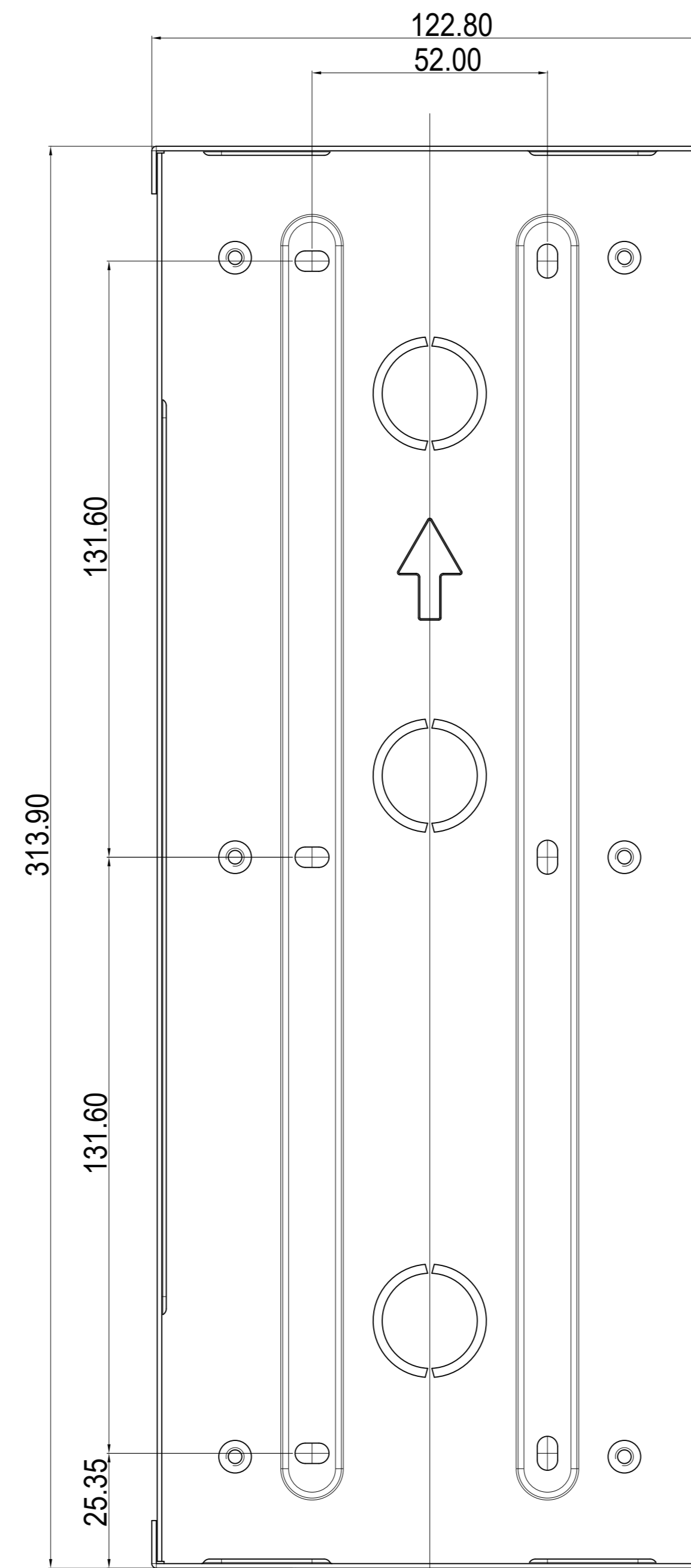
4 of 5



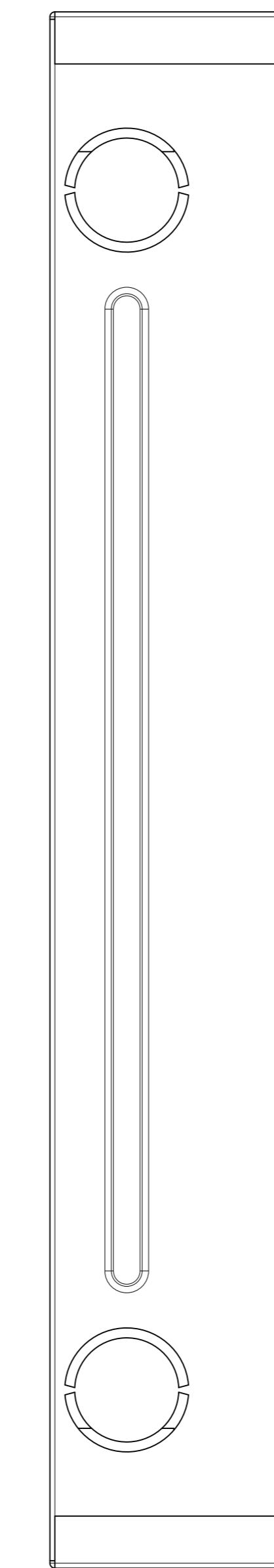
6 **BOTTOM VIEW**



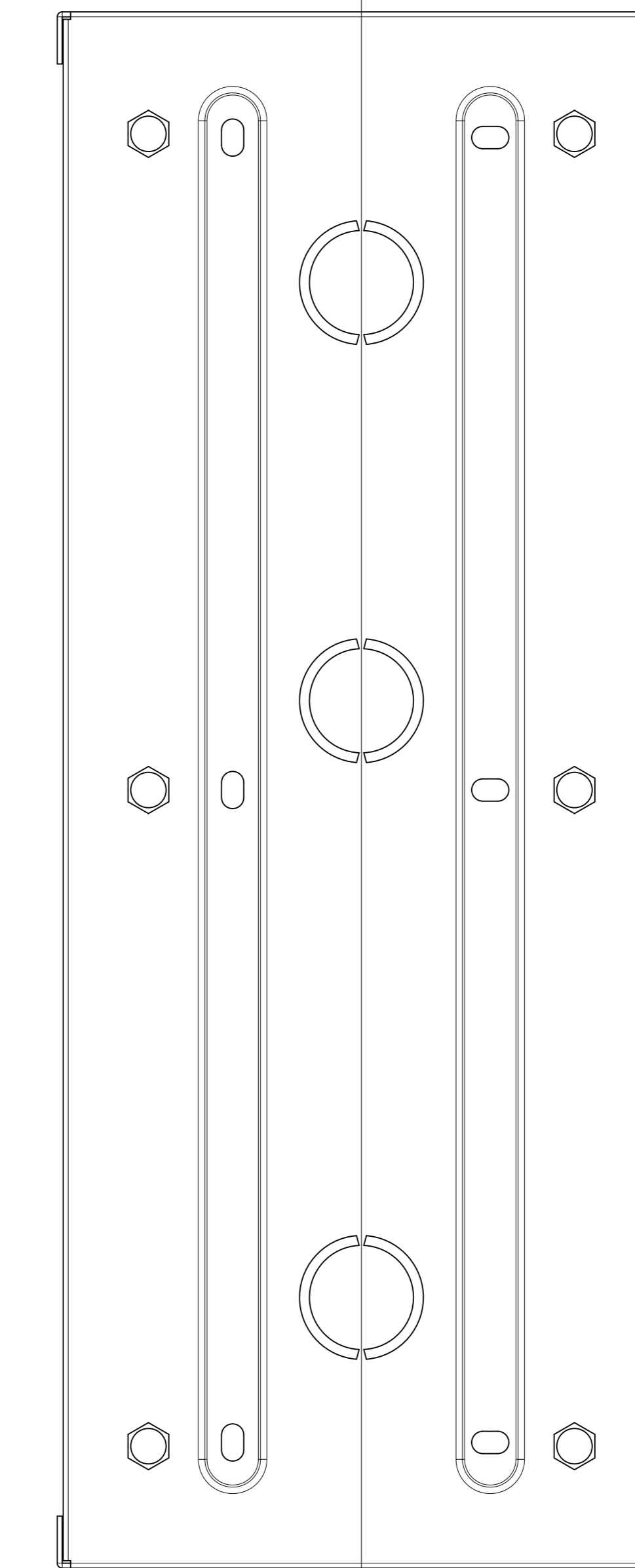
2 **RIGHT VIEW**



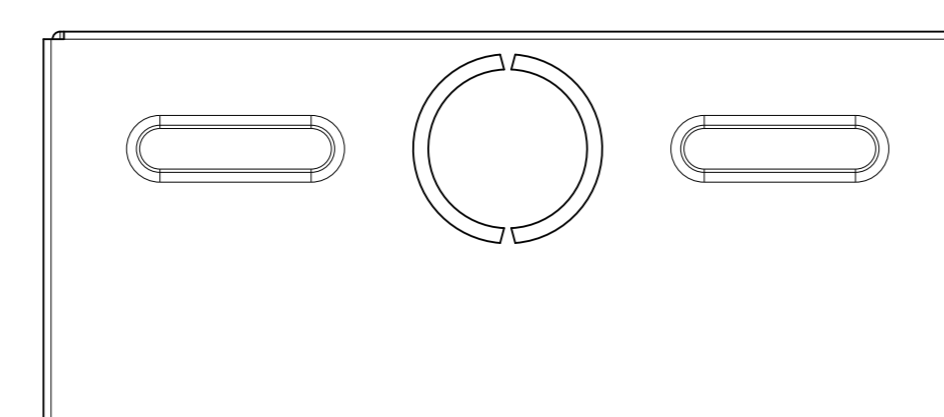
1 **FRONT VIEW**



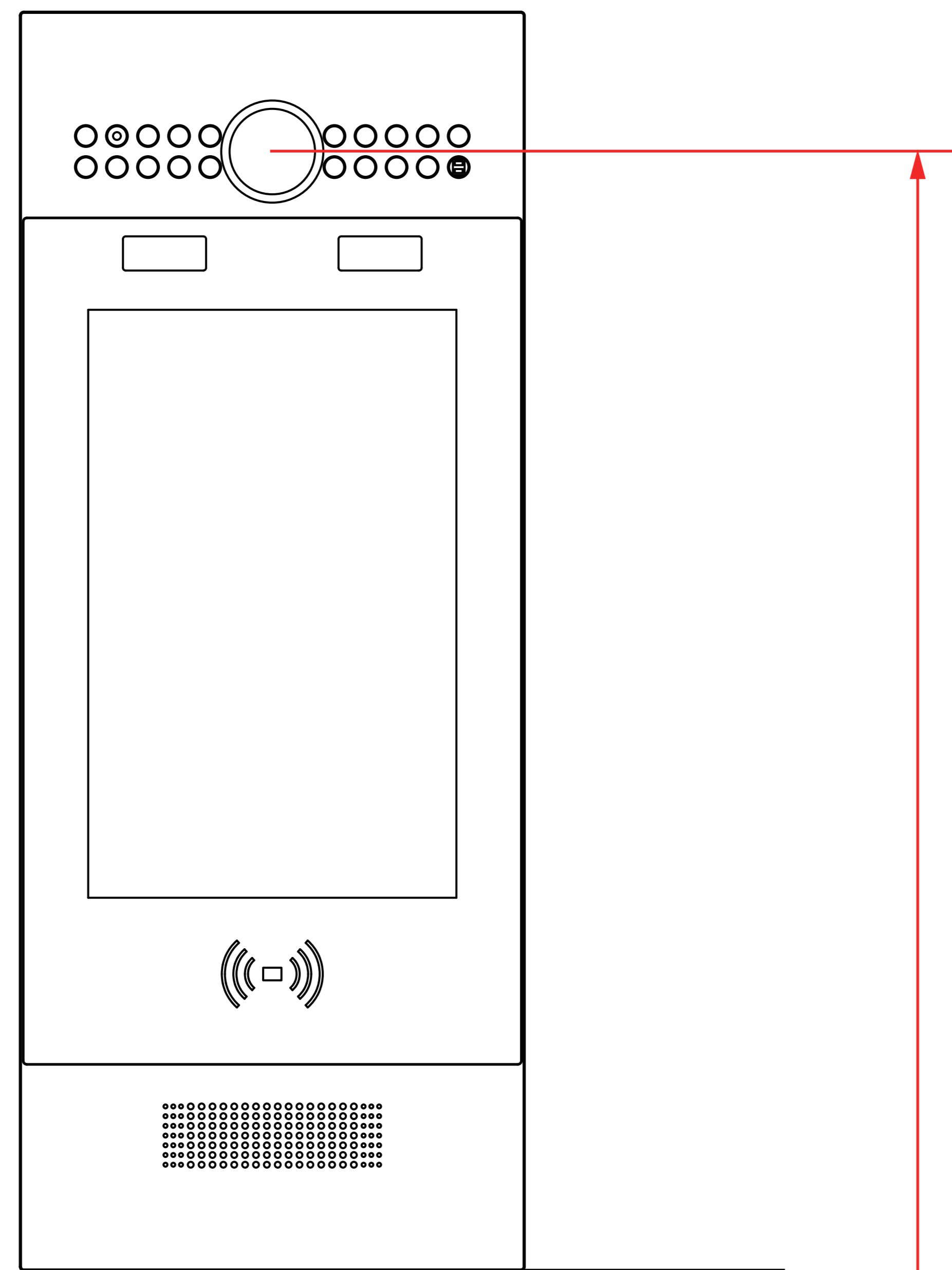
3 **LEFT VIEW**



4 **BACK VIEW**



5 **TOP VIEW**



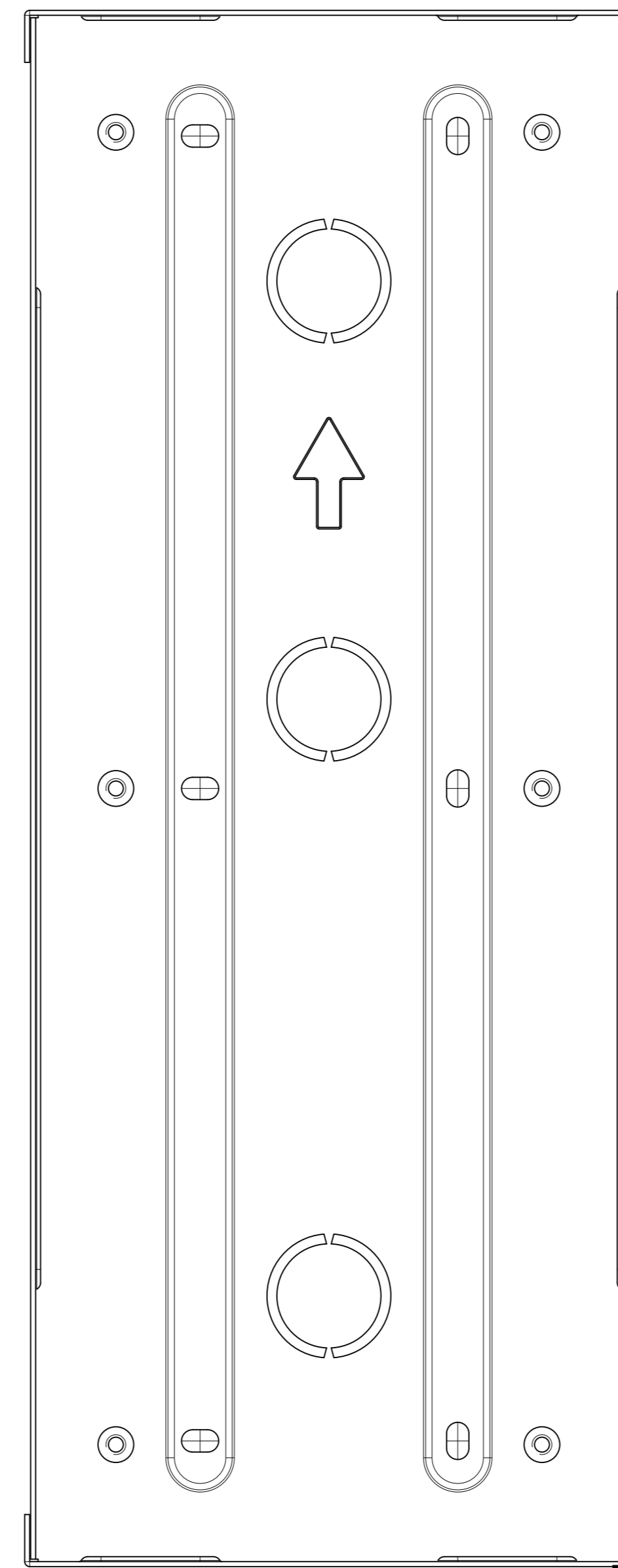
① INTERCOM PANEL FRONT VIEW

1212mm TO BOTTOM OF PANEL

1500mm MAX TO CENTER OF CAMERA

ADA Compliance Requirement

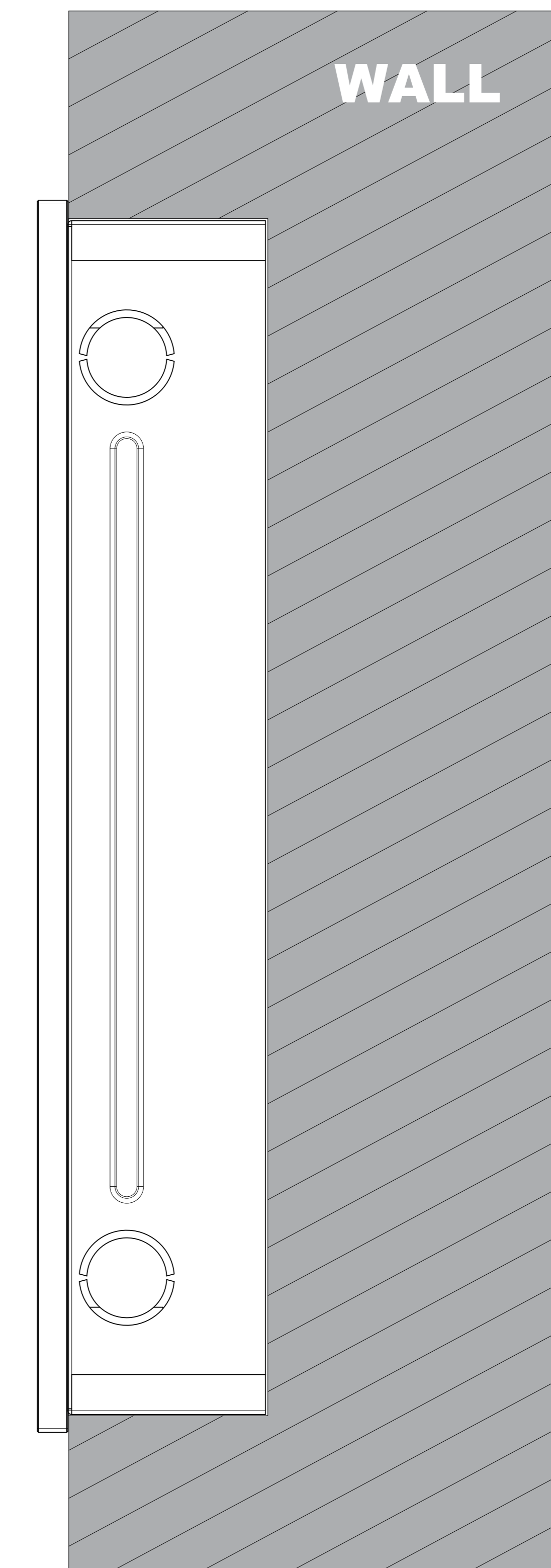
GROUND



② FRONT VIEW: FLUSHING MOUNTING BOX PLACEMENT

1216.7mm TO BOTTOM OF BRACKET

GROUND



③ SIDE VIEW:INTERCOM IN WALL