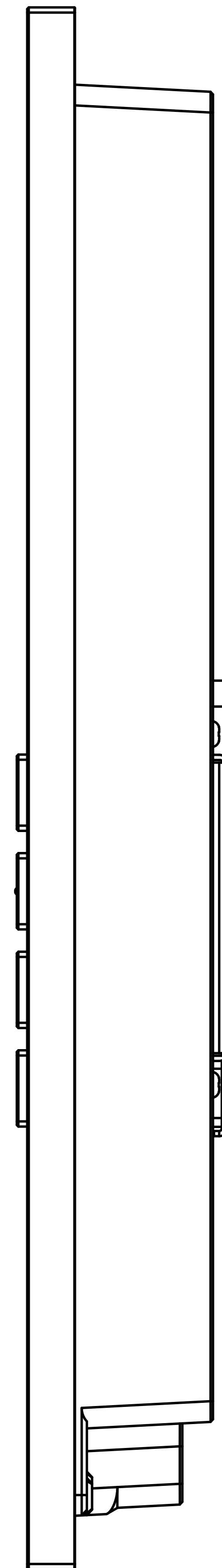
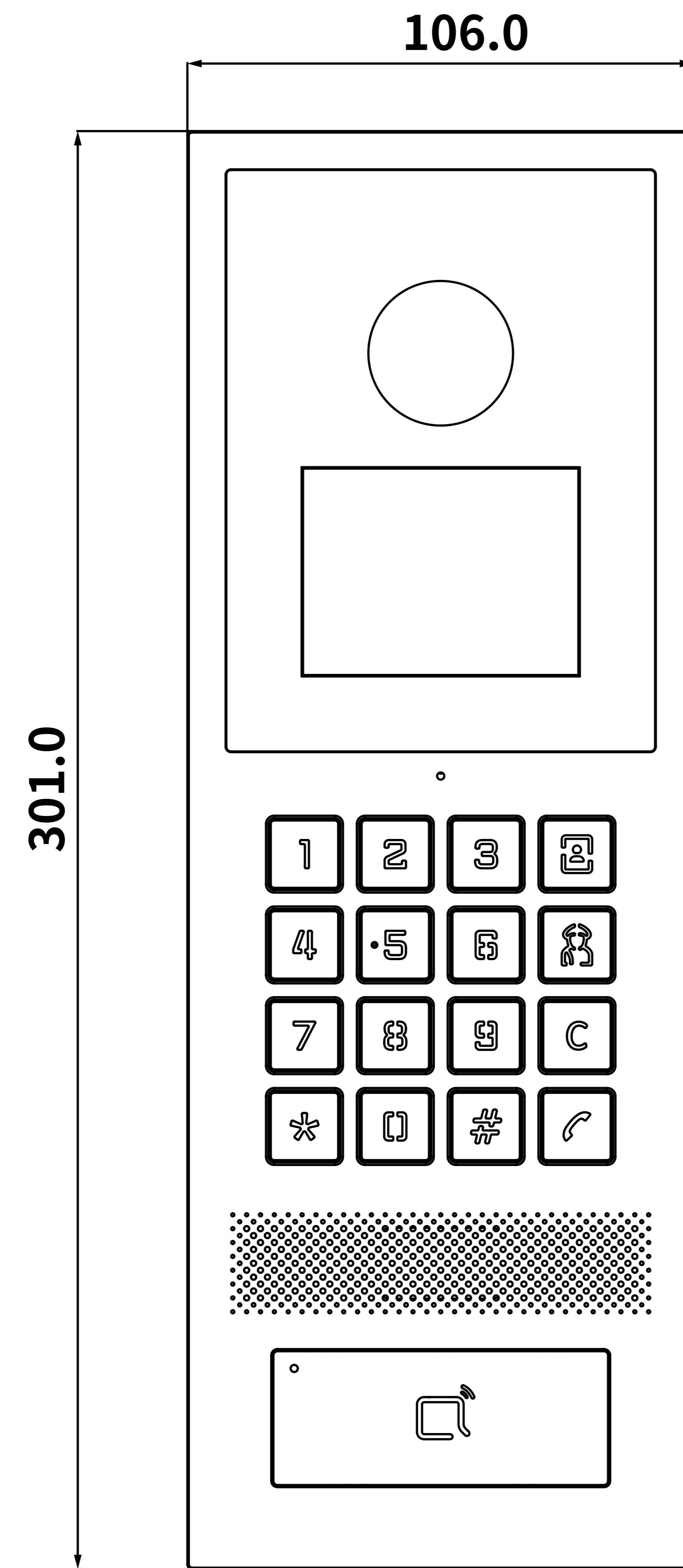


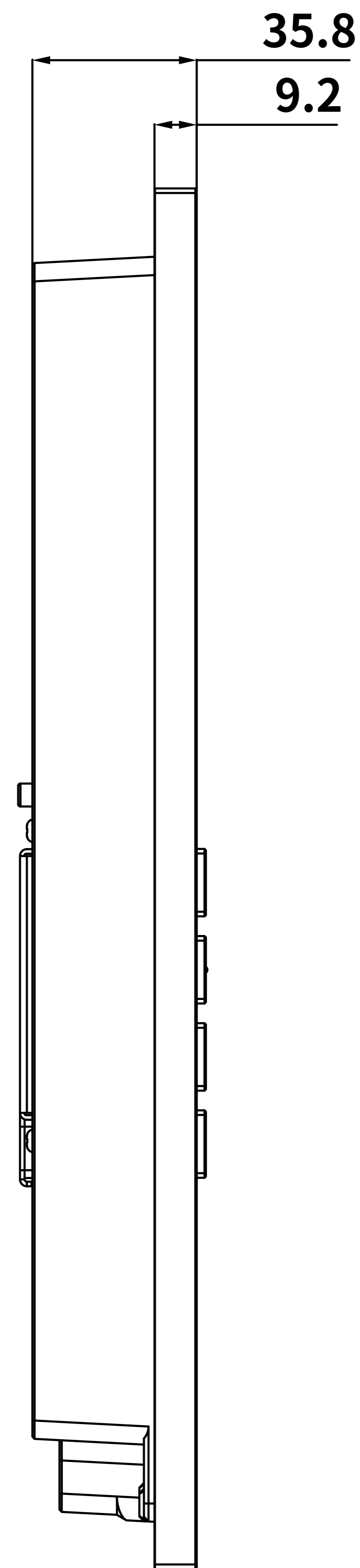
6 BOTTOM VIEW



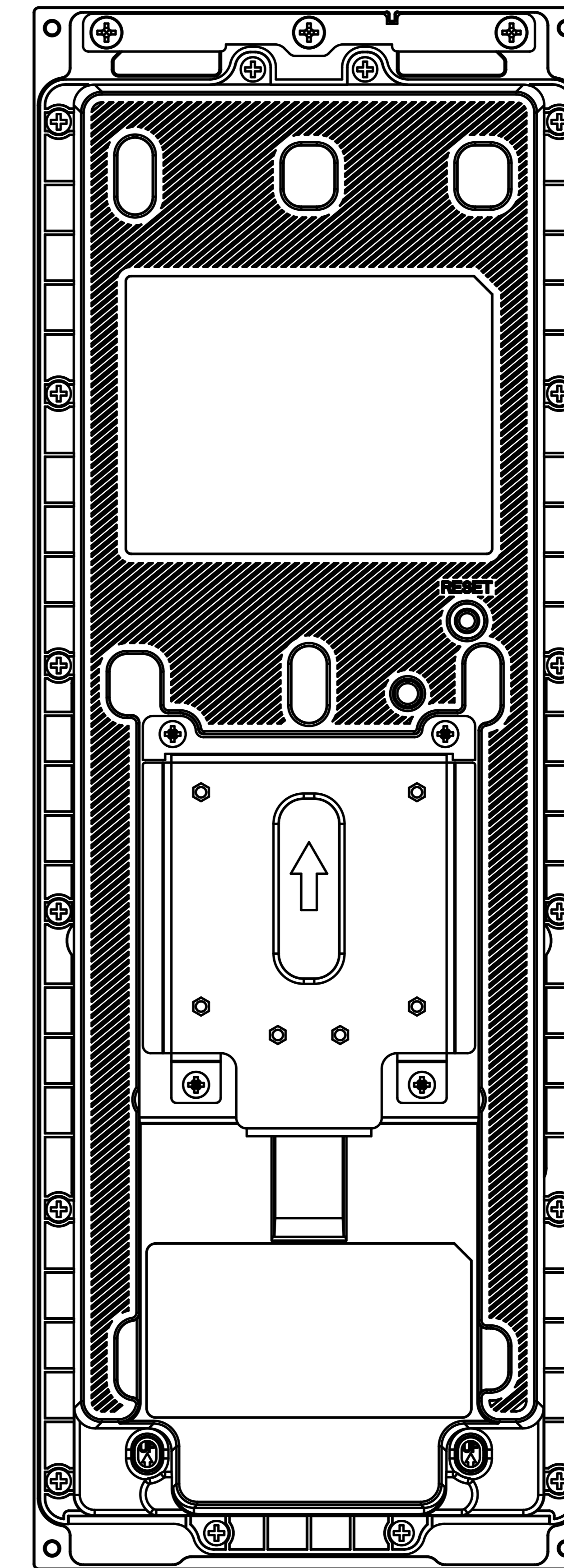
2 RIGHT VIEW



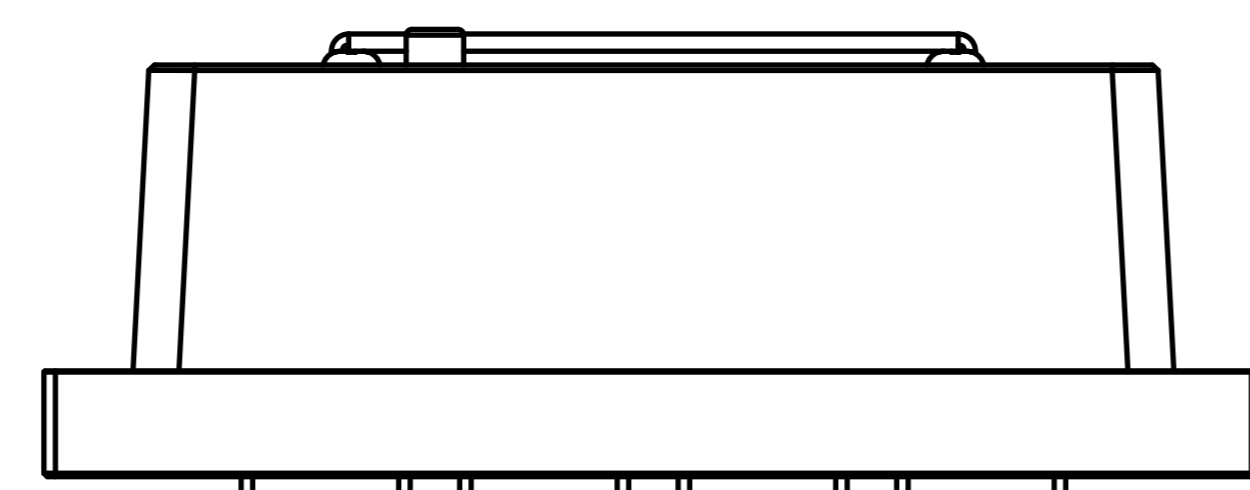
1 FRONT VIEW



3 LEFT VIEW



4 BACK VIEW



5 TOP VIEW

Applicable Model

S532

Drawing Title

Wall Mounting Box

Drawing Unit

mm

Drawing Scale

Not to scale

**DRAFT
SUBJECT TO
CHANGE**

Last Revised

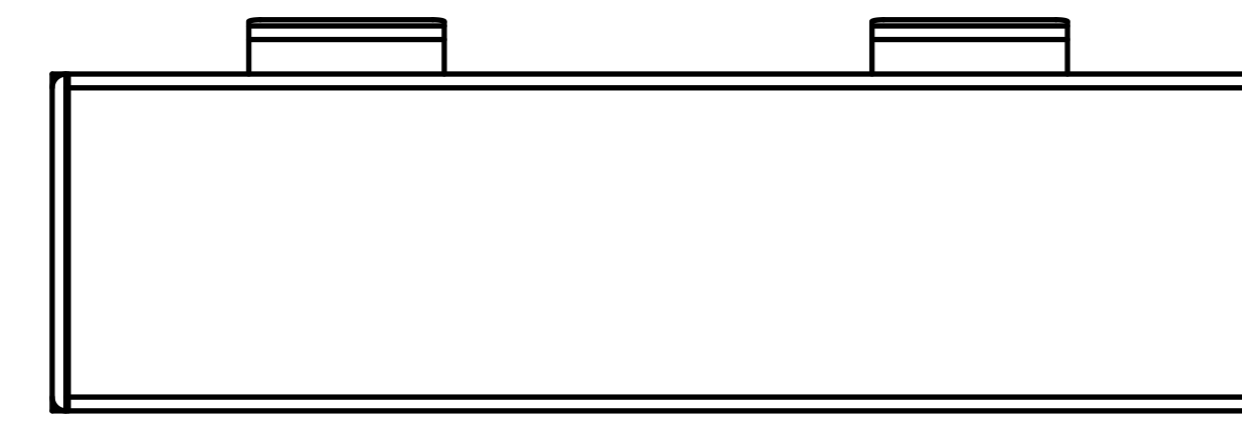
May 30, 2024

Drawing Version

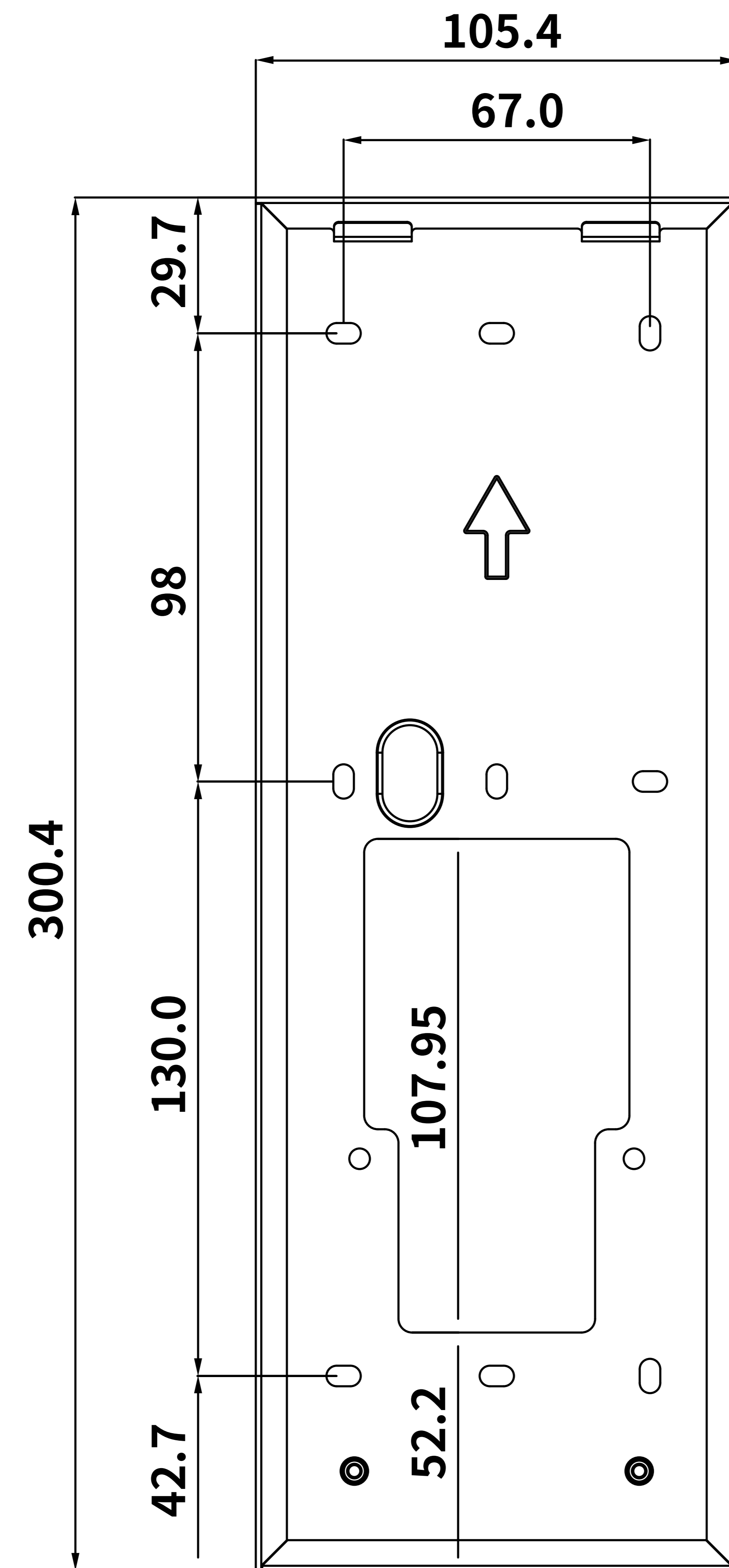
V1.0

Page

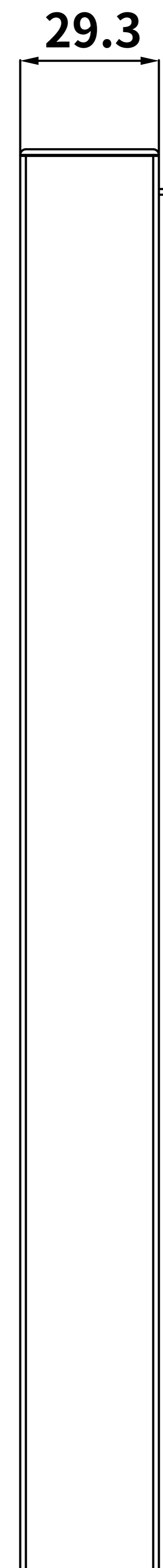
2 of 10



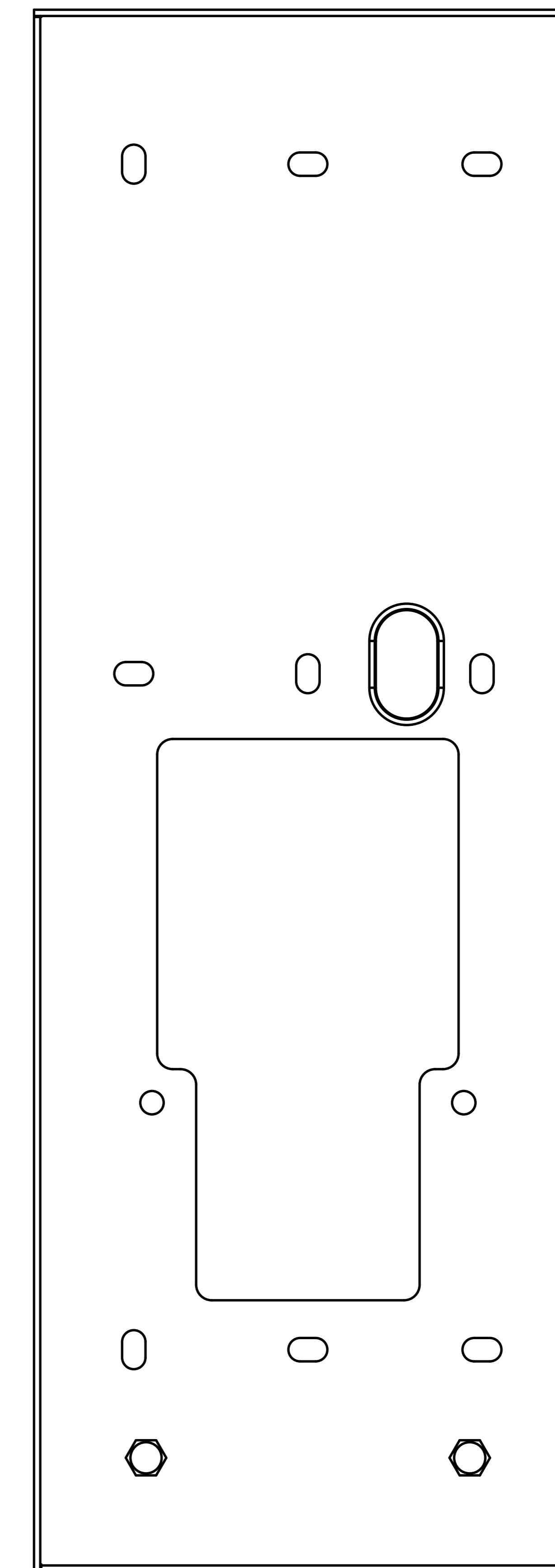
⑥ BOTTOM VIEW



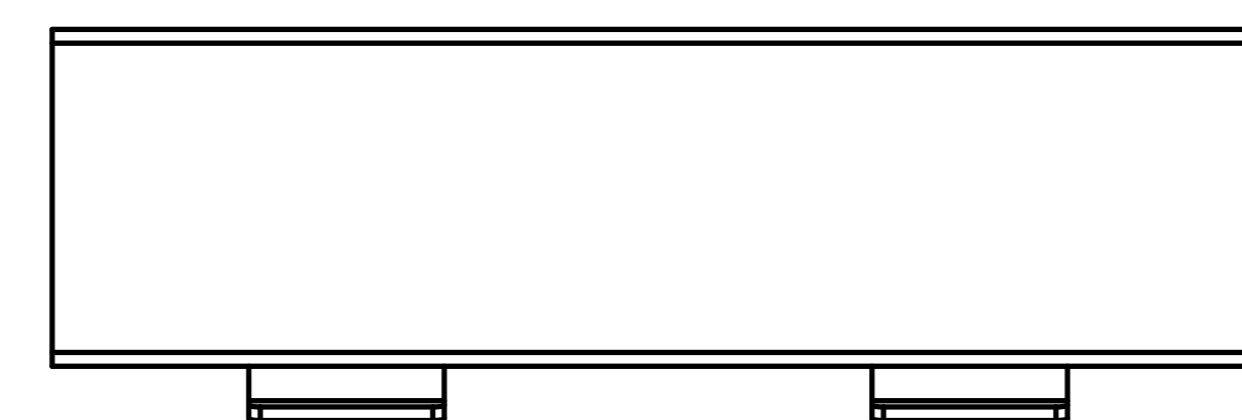
① FRONT VIEW



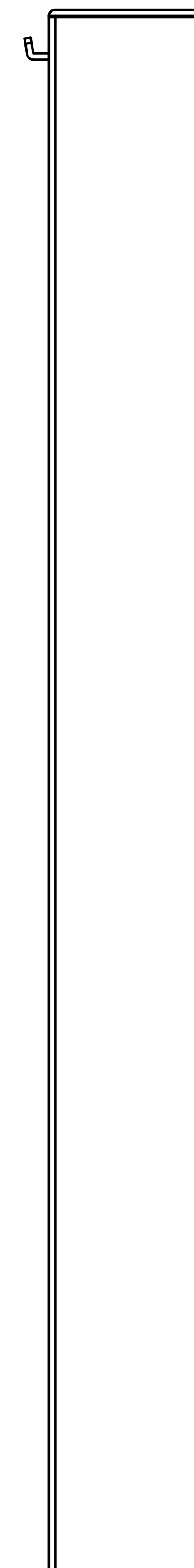
③ LEFT VIEW



④ BACK VIEW



⑤ TOP VIEW



② RIGHT VIEW

Applicable Model
S532

Drawing Title
Placement

Drawing Unit
mm

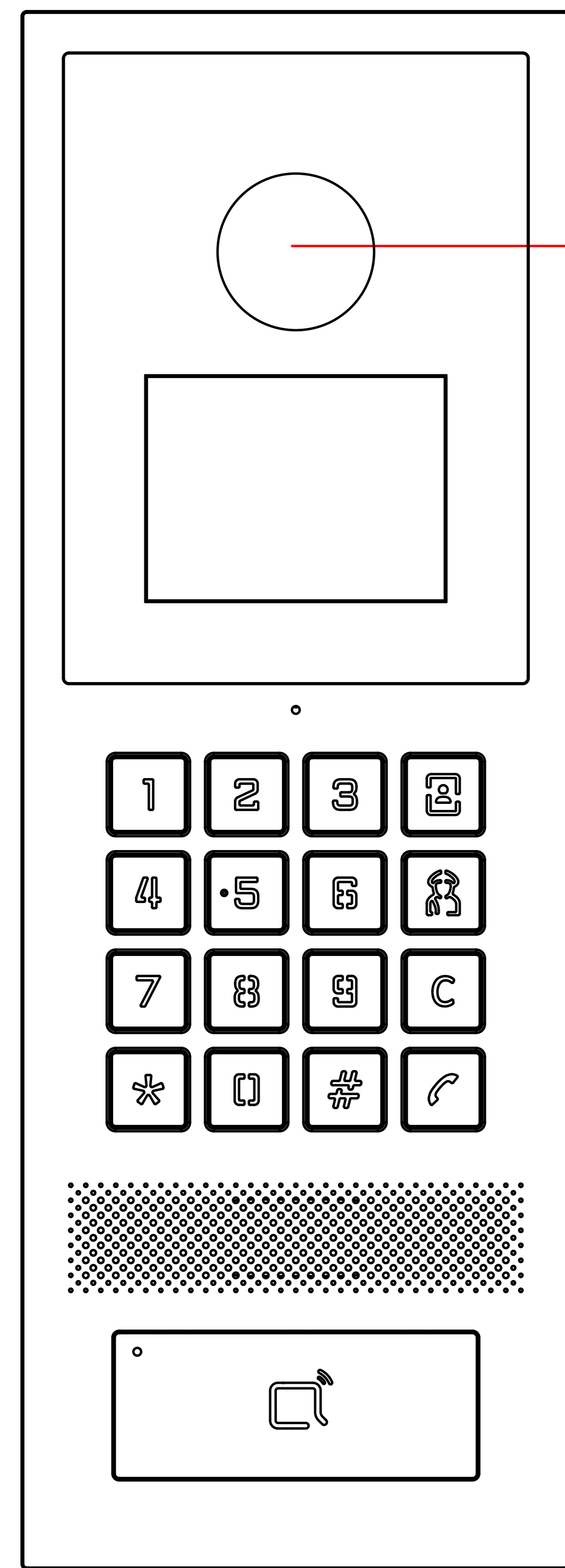
Drawing Scale
Not to scale

DRAFT
SUBJECT TO
CHANGE

Last Revised
May 30, 2024

Drawing Version
V1.0

Page
3 of 10



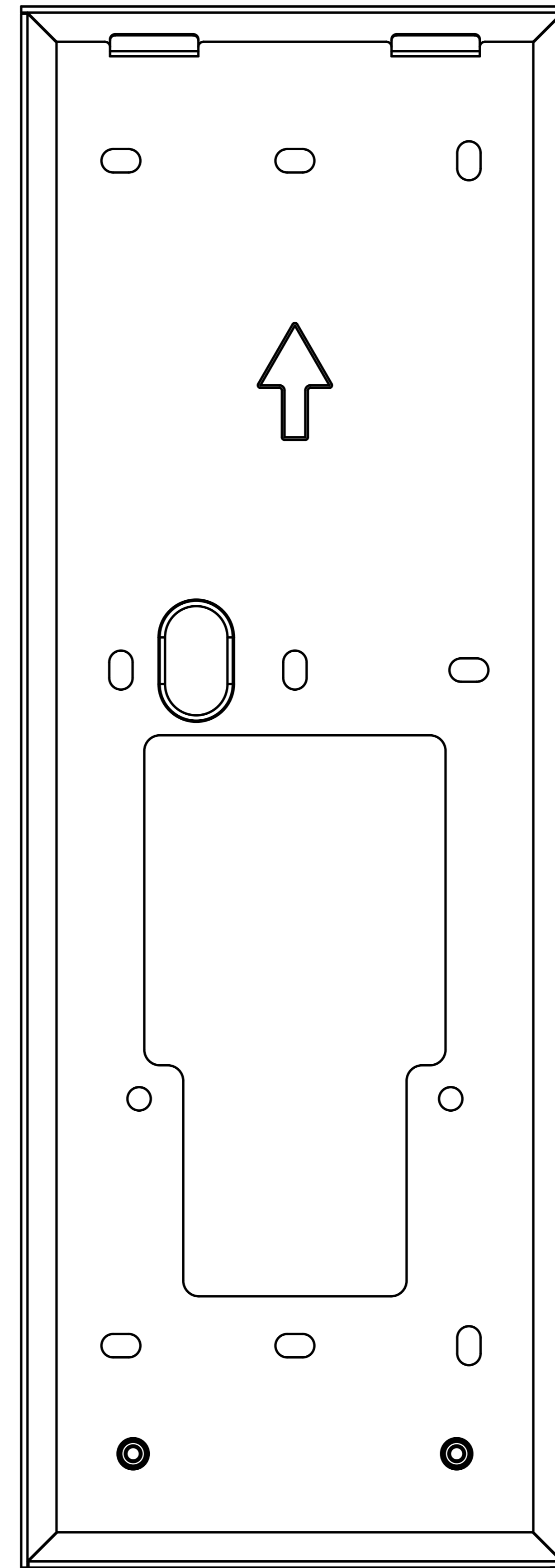
① INTERCOM PANEL FRONT VIEW

1245.5mm TO BOTTOM OF PANEL

1500mm TO CENTER OF CAMERA

ADA Compliance Requirement

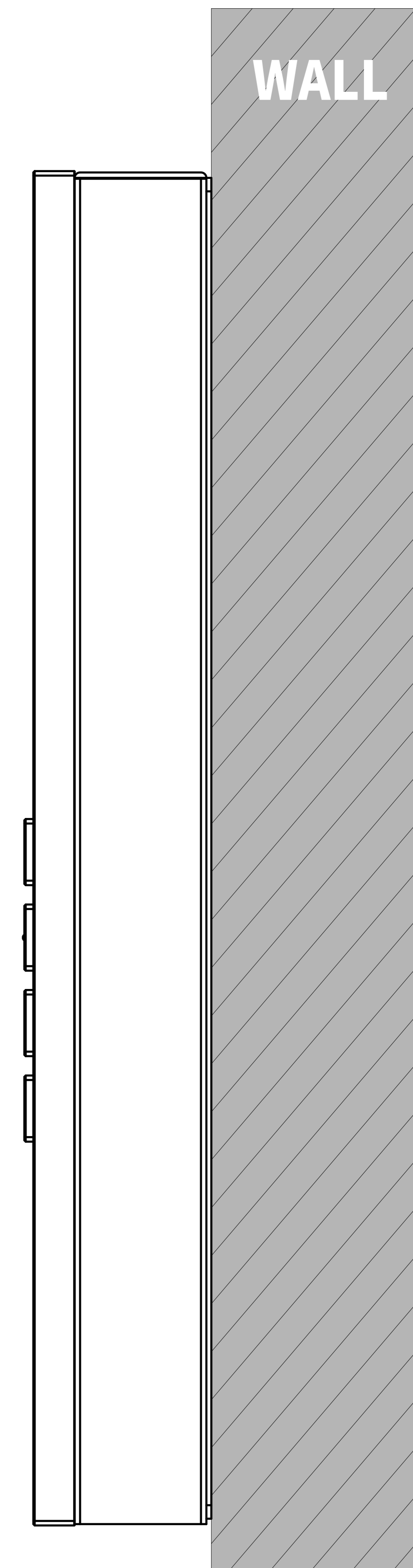
GROUND



② FRONT VIEW: WALL MOUNTING BOX PLACEMENT

1245.8mm TO BOTTOM OF BRACKET

GROUND



③ SIDE VIEW: INTERCOM ON WALL

Applicable Model

S532

Drawing Title

On-Wall Mounting
Rain Cover

Drawing Unit

mm

Drawing Scale

Not to scale

**DRAFT
SUBJECT TO
CHANGE**

Last Revised

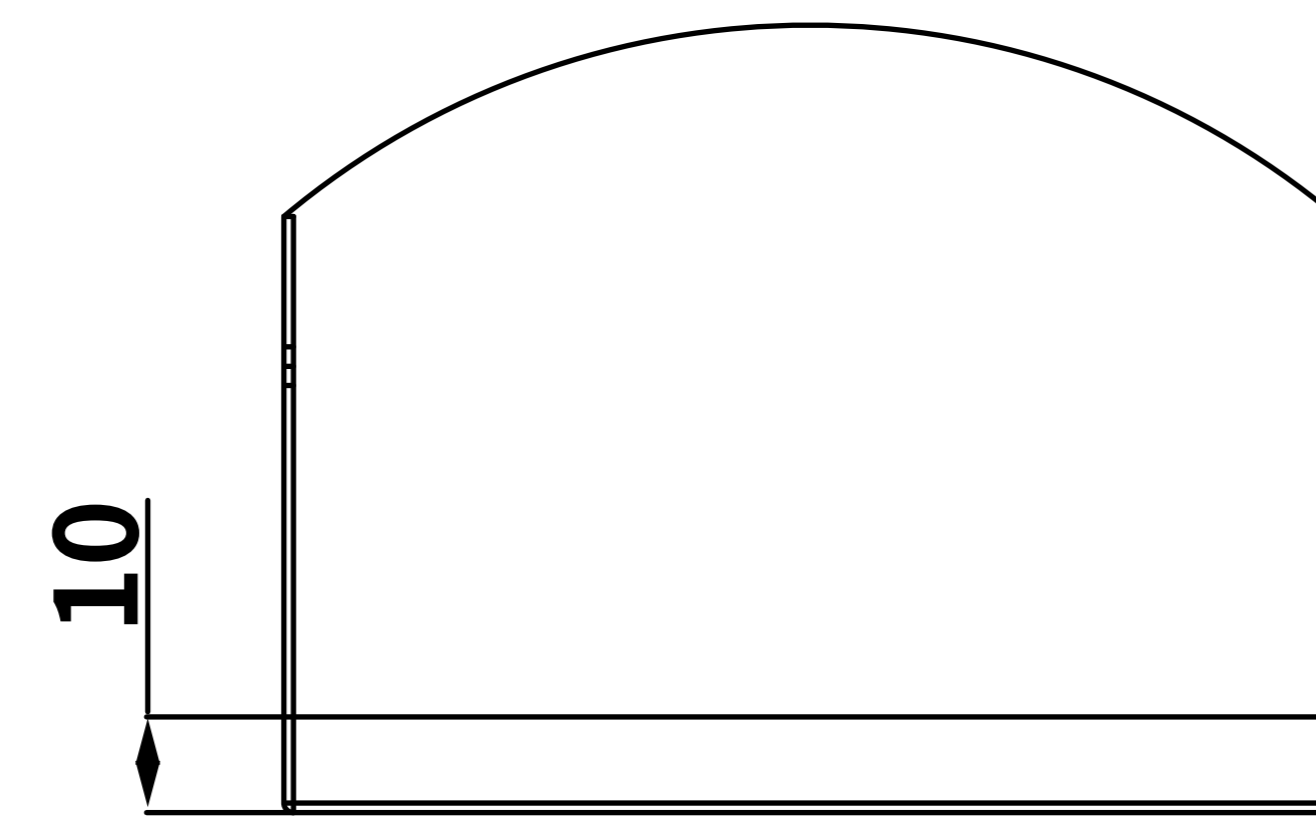
May 30, 2024

Drawing Version

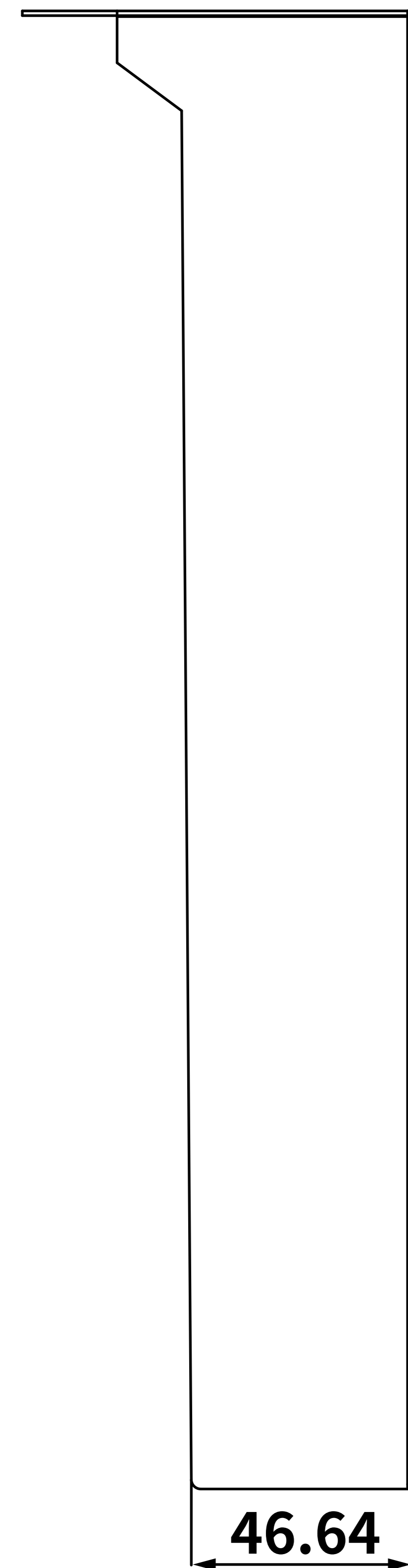
V1.0

Page

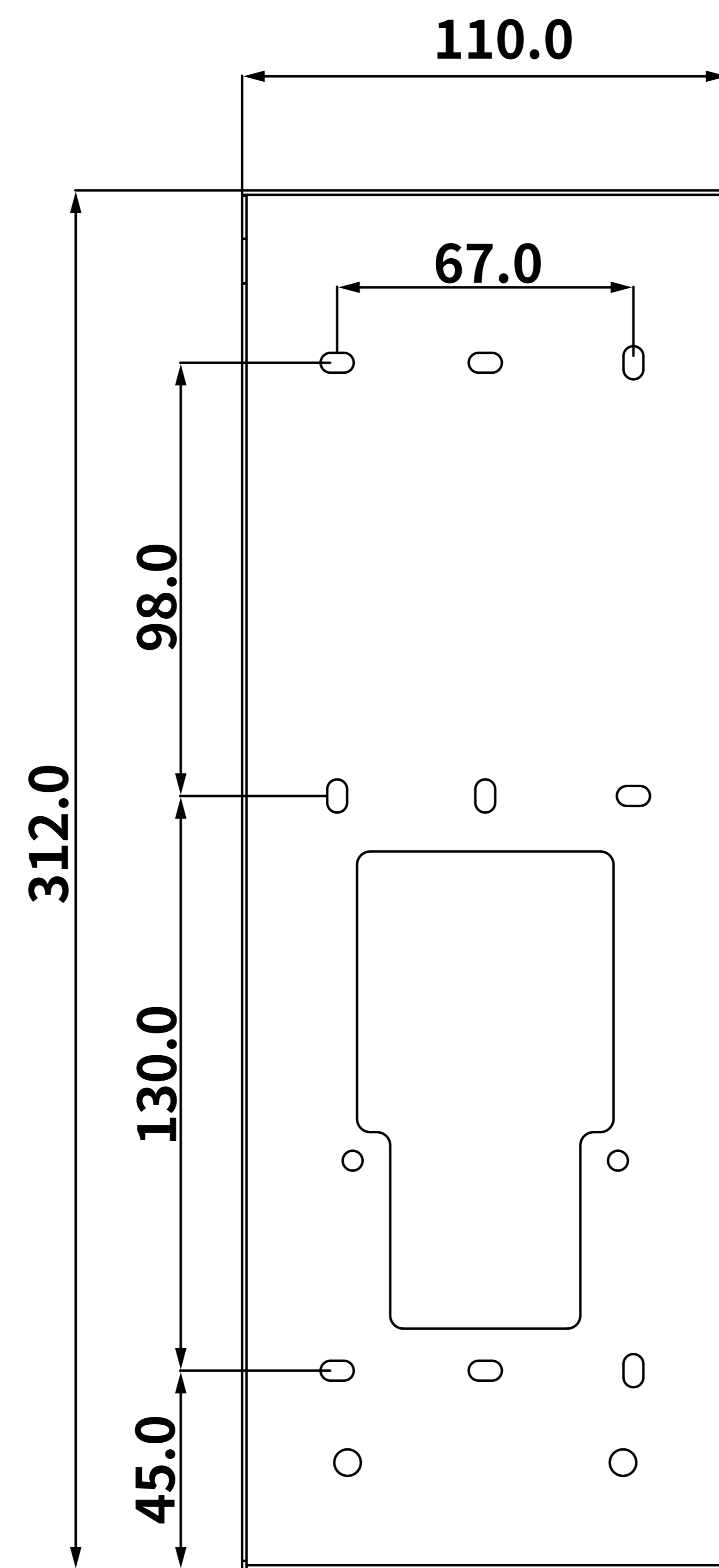
4 of 10



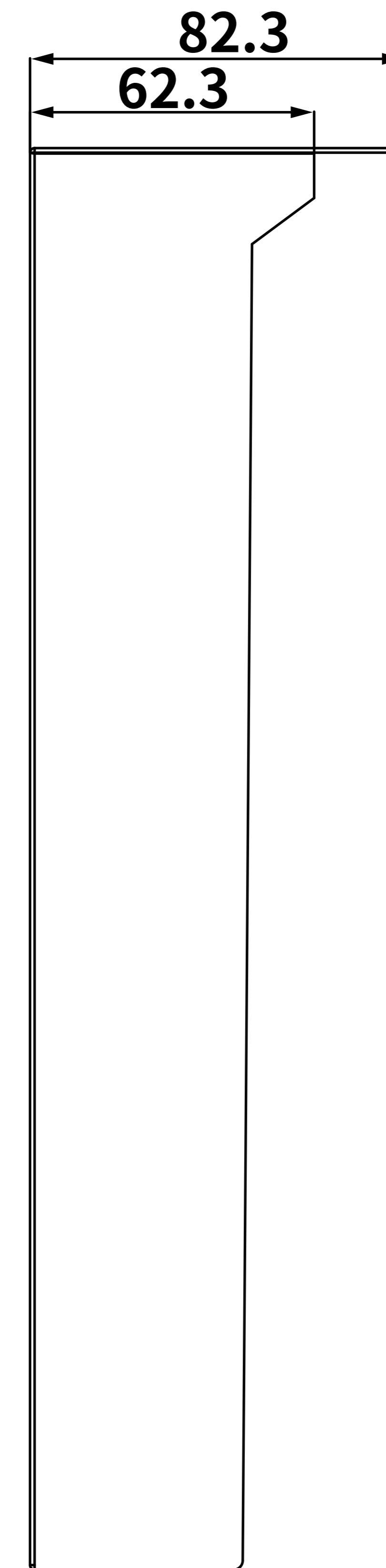
⑥ BOTTOM VIEW



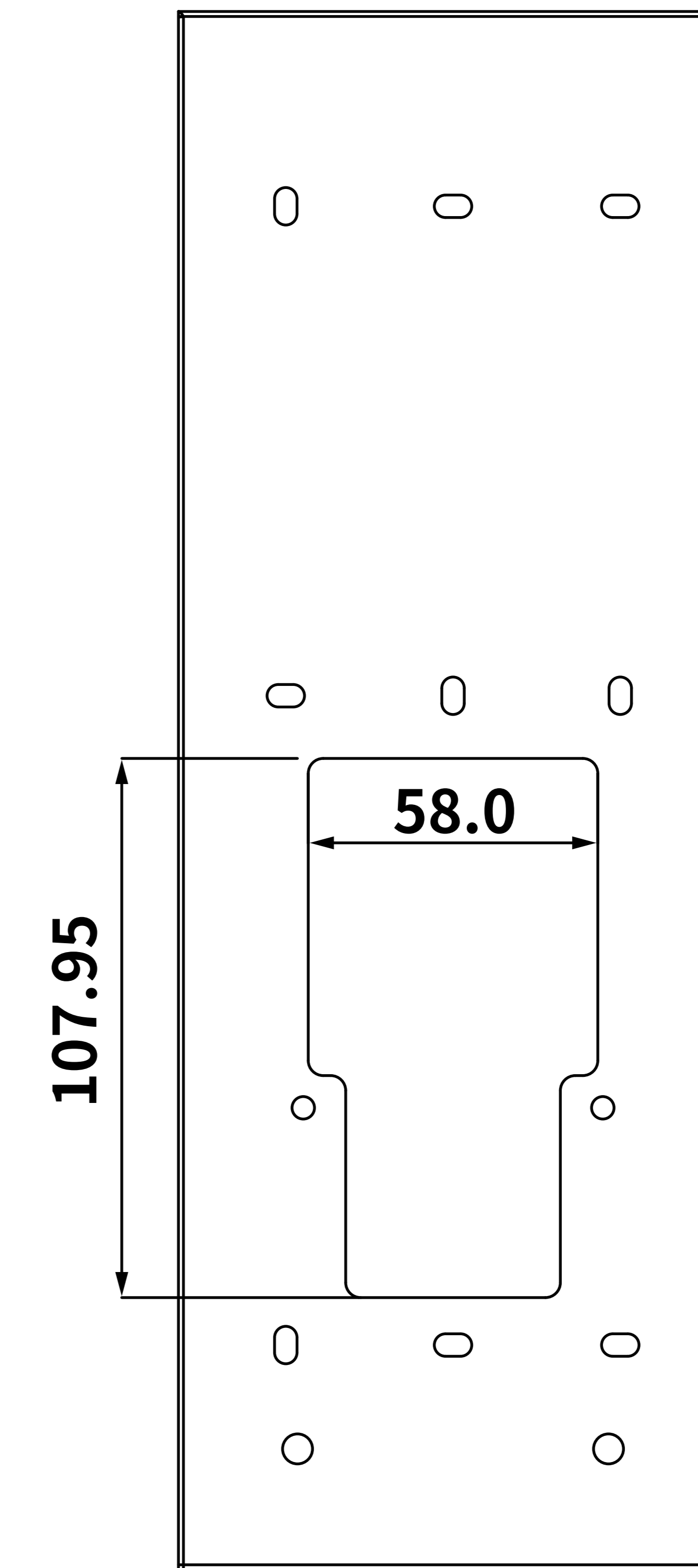
② RIGHT VIEW



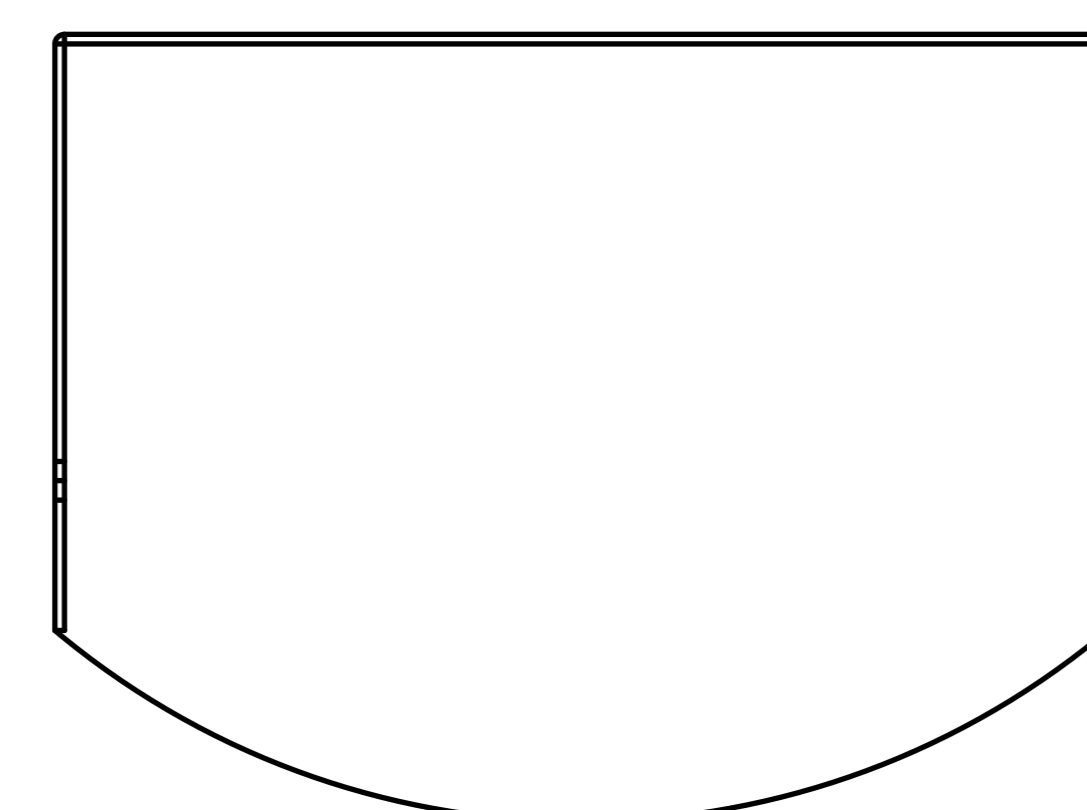
① FRONT VIEW



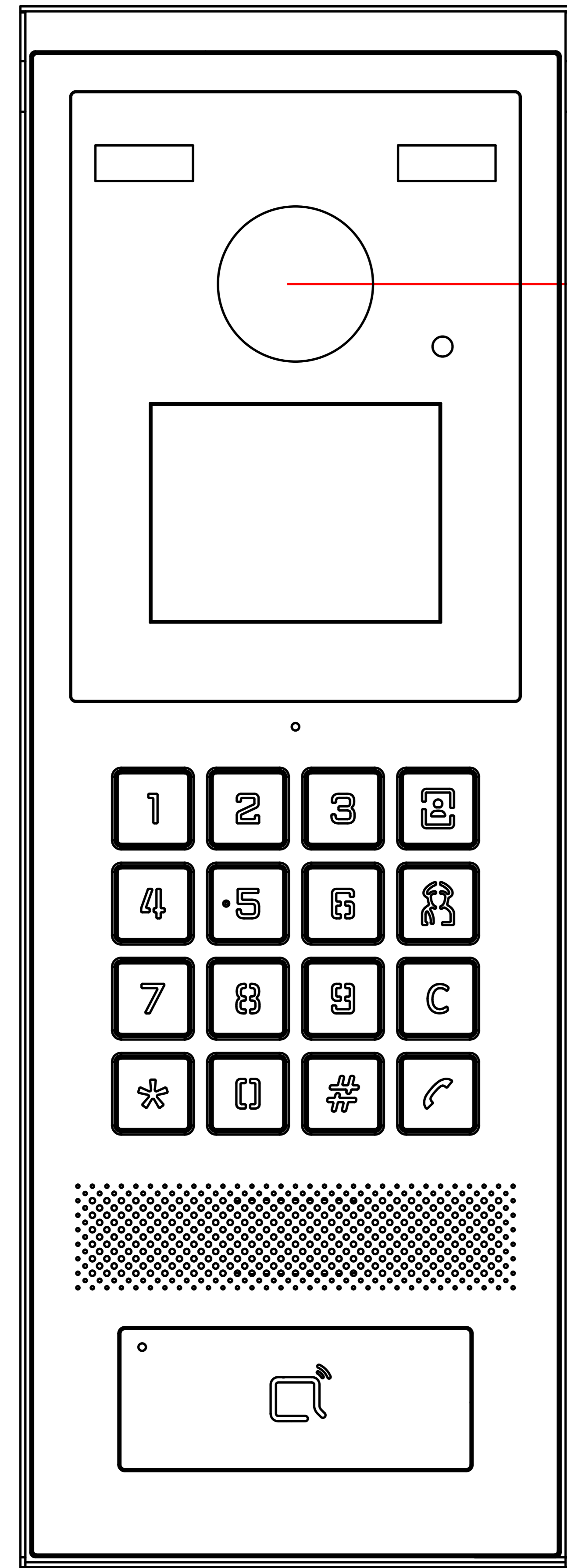
③ LEFT VIEW



④ BACK VIEW



⑤ TOP VIEW

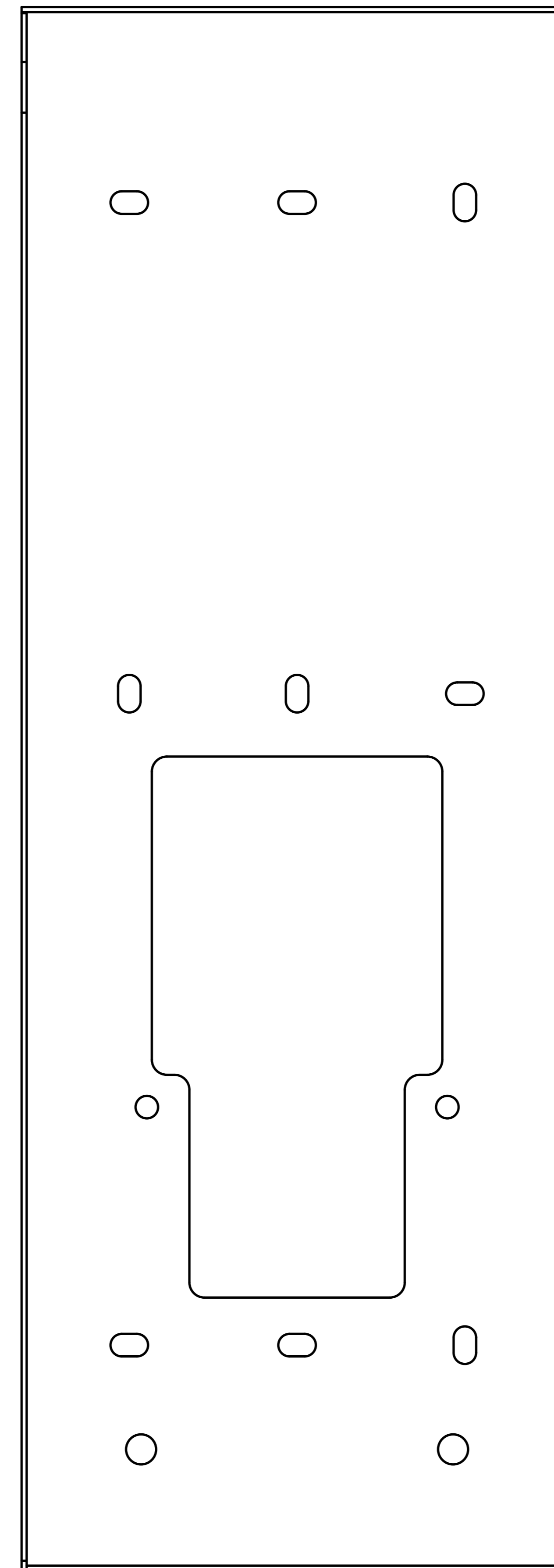


1245.5mm TO BOTTOM OF PANEL

1500mm TO CENTER OF CAMERA

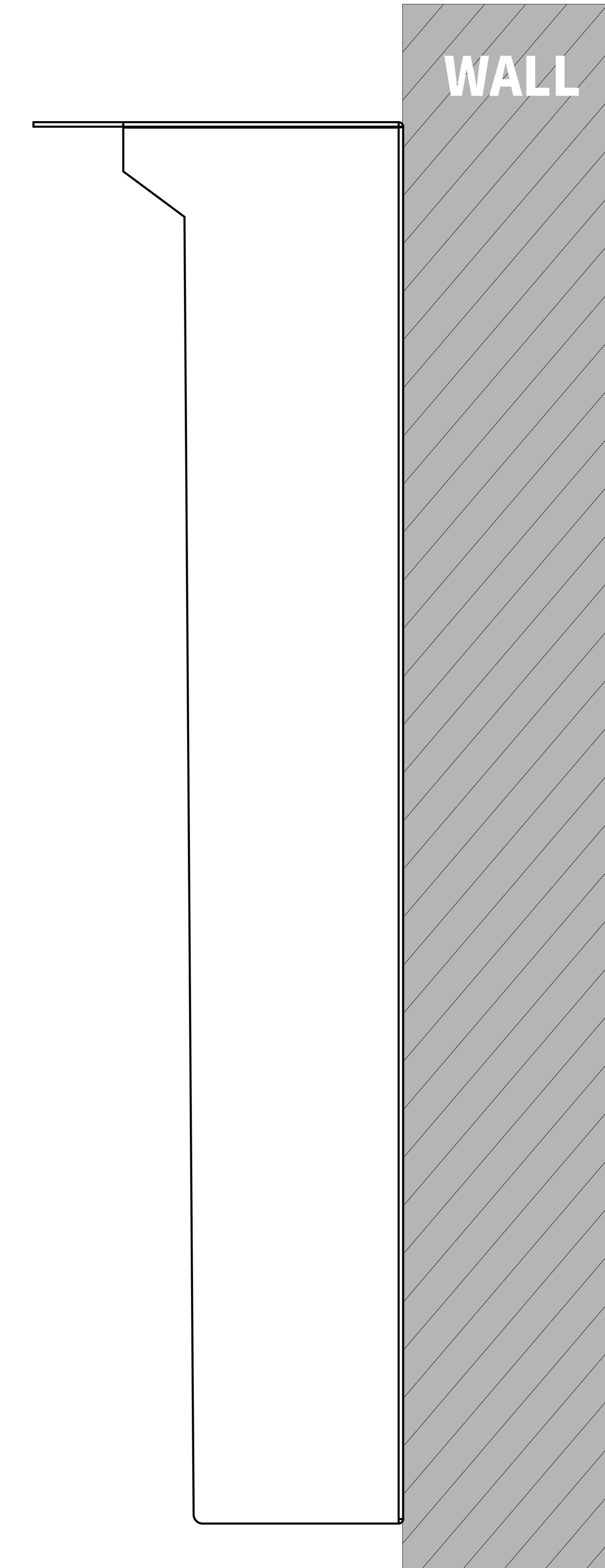
ADA Compliance Requirement

GROUND



1243mm TO BOTTOM OF BRACKET

GROUND



Applicable Model

S532

Drawing Title

Flushing Mounting
Bracket

Drawing Unit

mm

Drawing Scale

Not to scale

**DRAFT
SUBJECT TO
CHANGE**

Last Revised

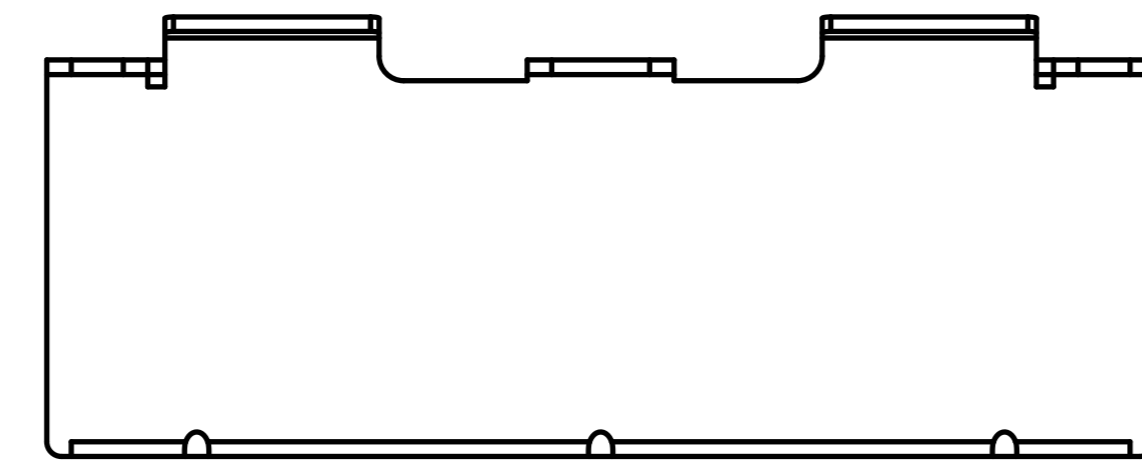
May 30, 2024

Drawing Version

V1.0

Page

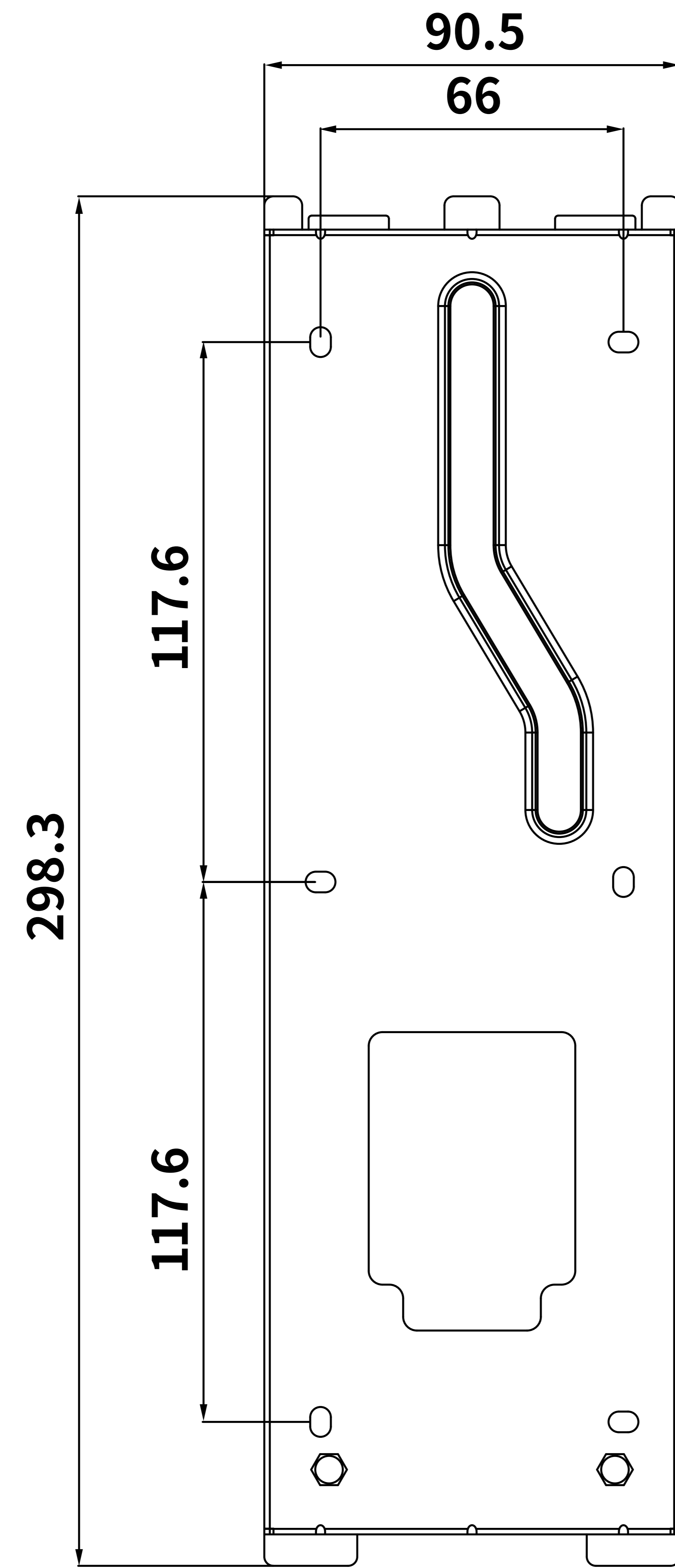
6 of 10



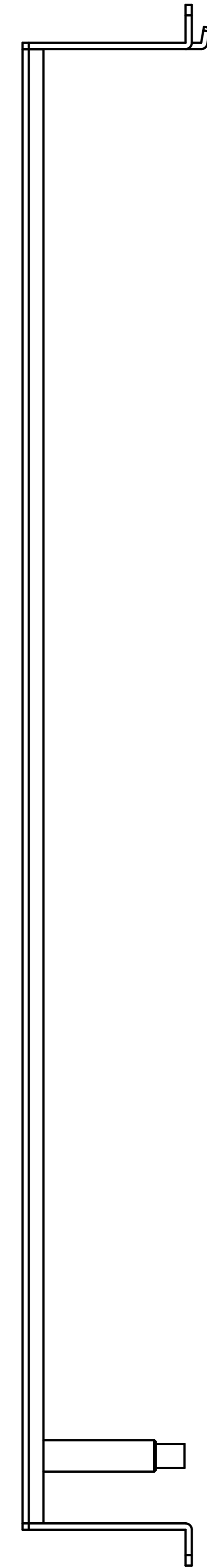
⑥ BOTTOM VIEW



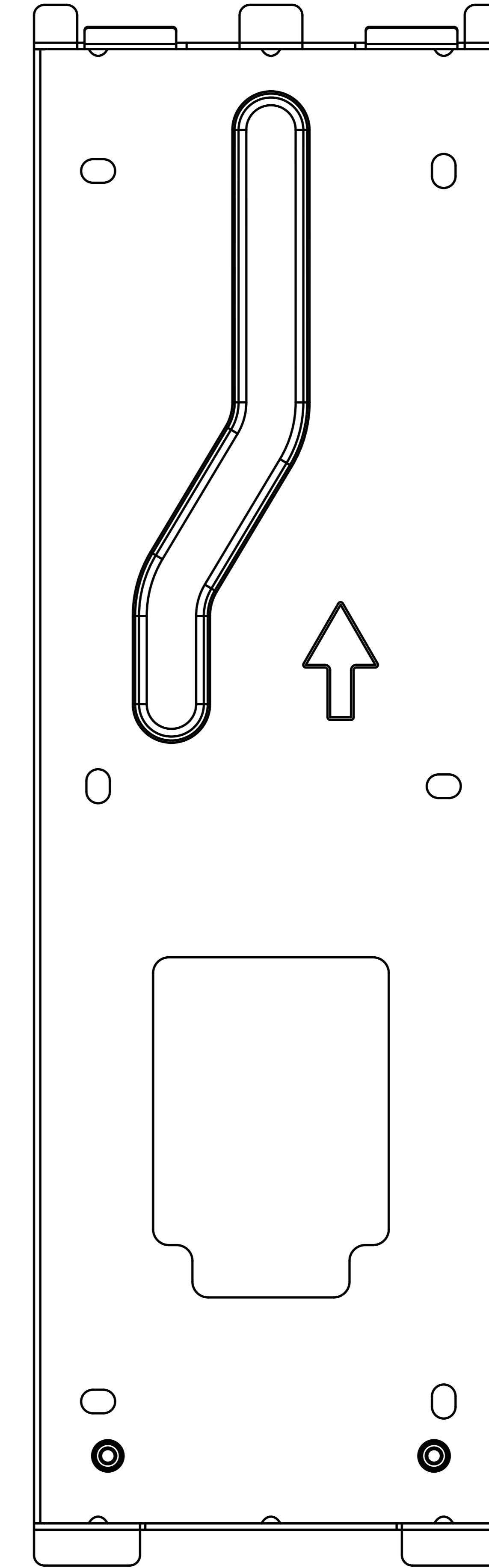
② RIGHT VIEW



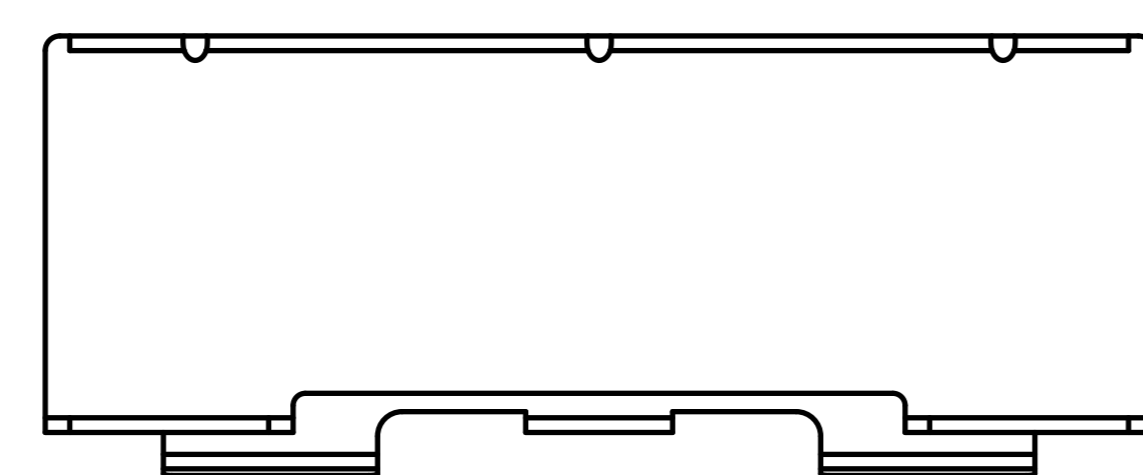
① FRONT VIEW



③ LEFT VIEW



④ BACK VIEW



⑤ TOP VIEW

Applicable Model

S532

Drawing Title

Flushing Mounting
Box

Drawing Unit

mm

Drawing Scale

Not to scale

**DRAFT
SUBJECT TO
CHANGE**

Last Revised

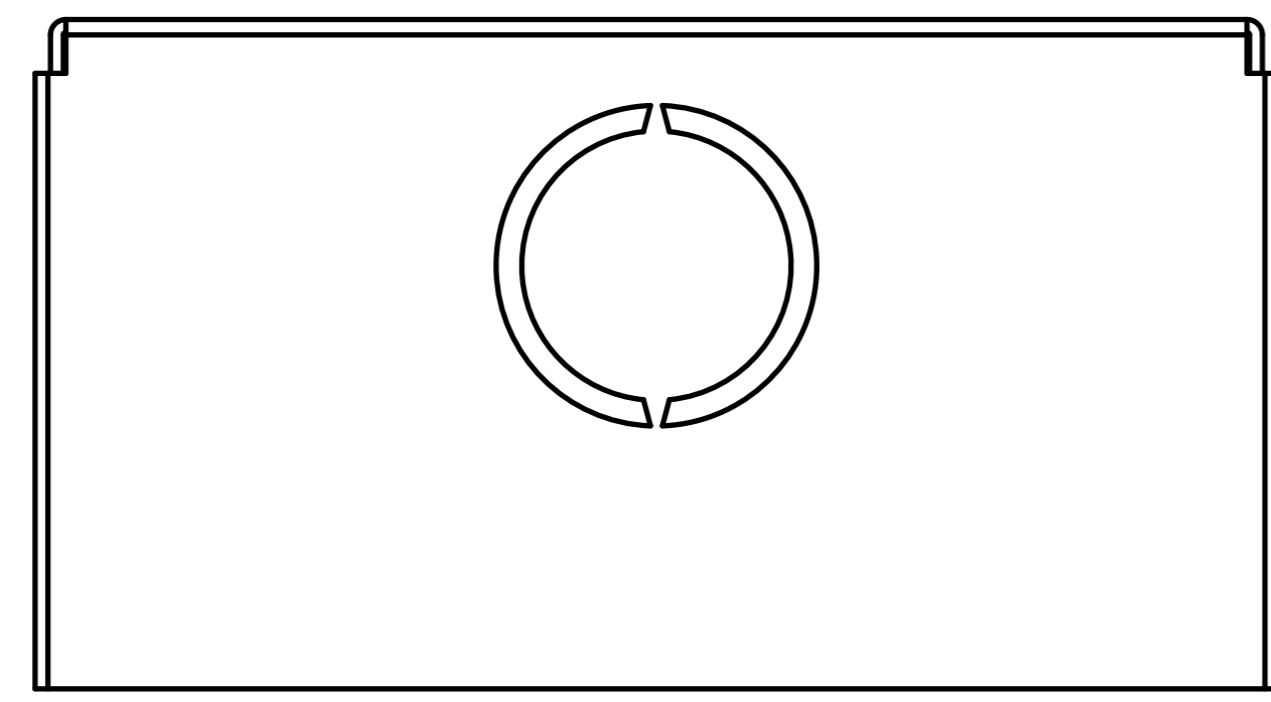
May 30, 2024

Drawing Version

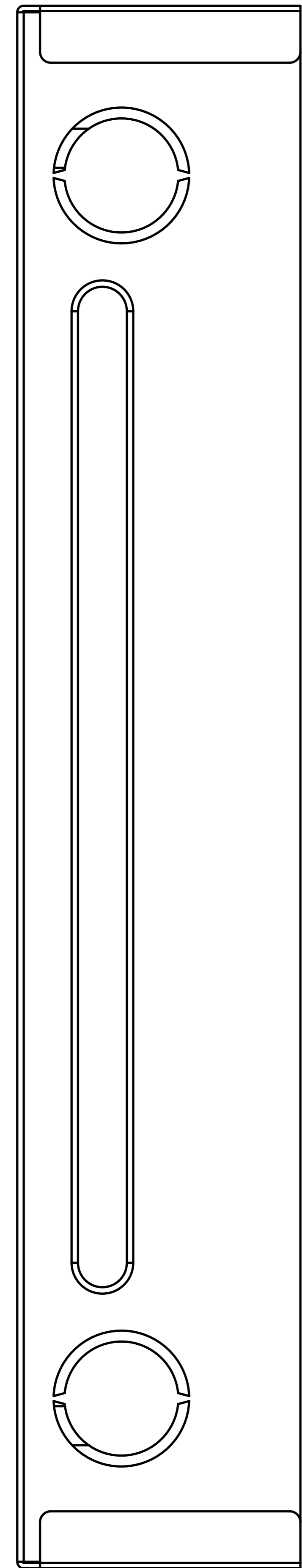
V1.0

Page

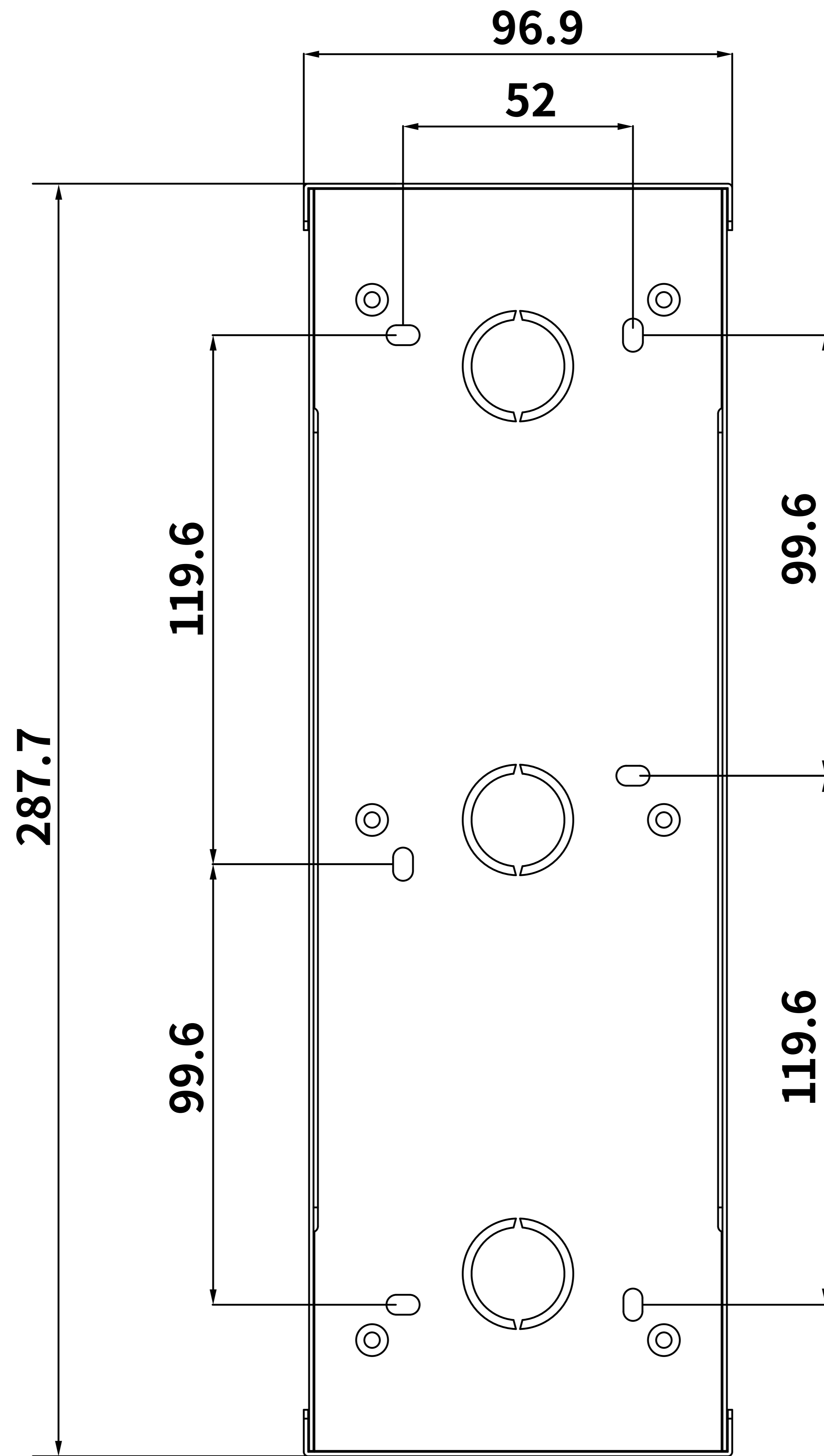
7 of 10



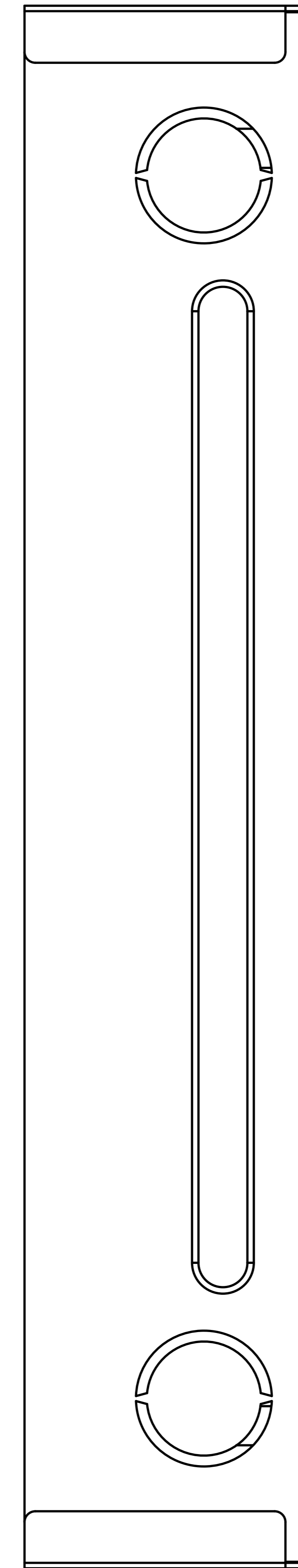
⑤ TOP VIEW



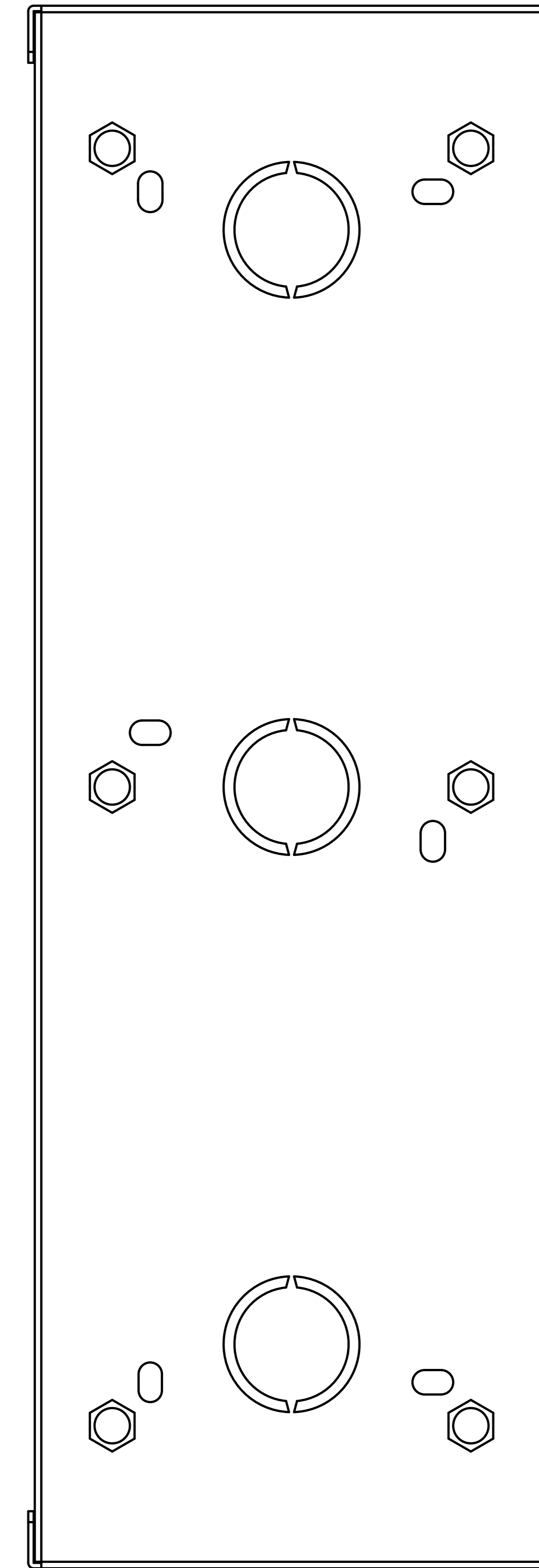
② RIGHT VIEW



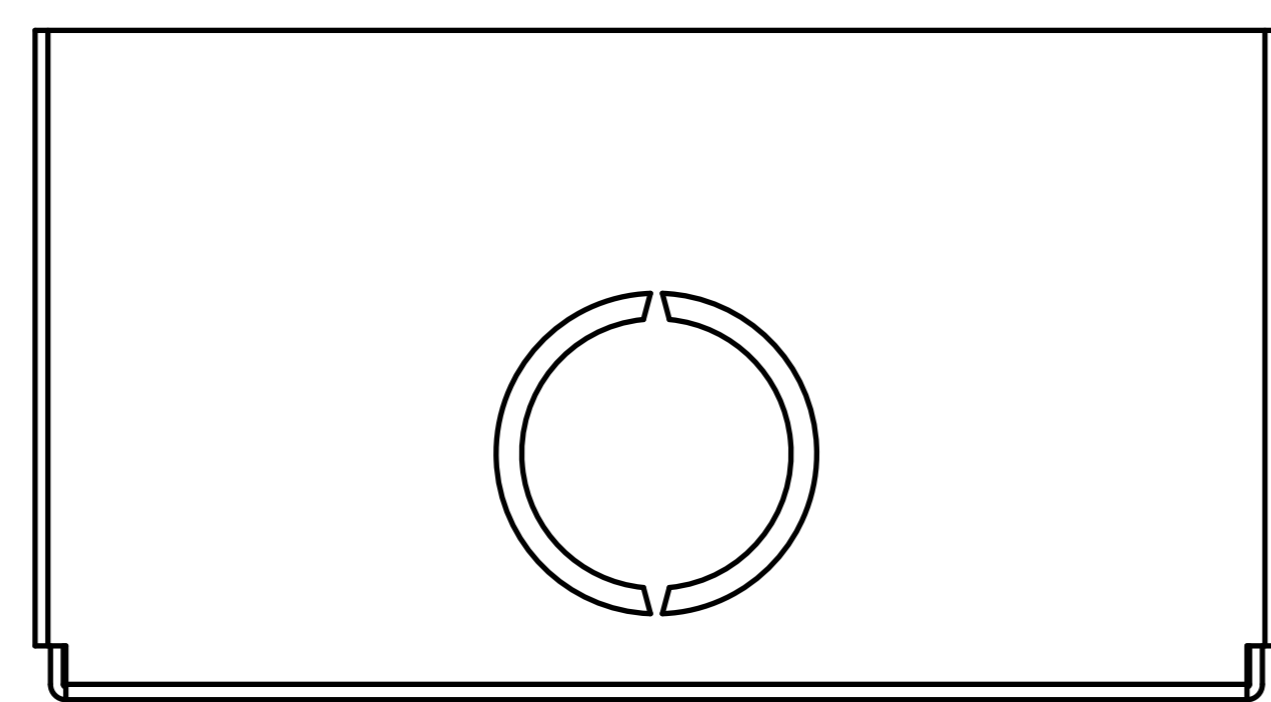
① FRONT VIEW



③ LEFT VIEW



④ BACK VIEW



⑥ BOTTOM VIEW

Applicable Model
S532

Drawing Title
Placement

Drawing Unit
mm

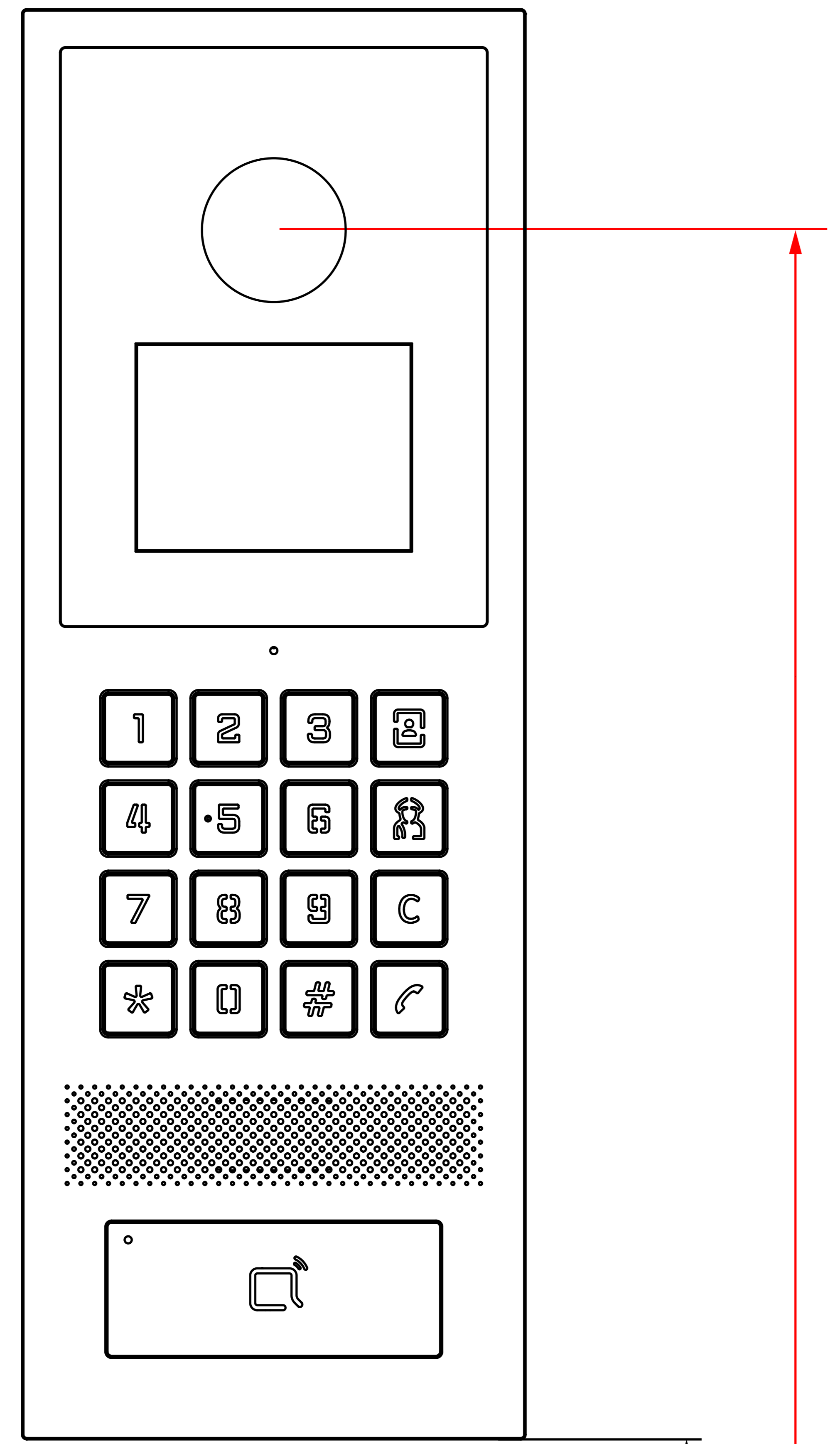
Drawing Scale
Not to scale

DRAFT
SUBJECT TO
CHANGE

Last Revised
May 30, 2024

Drawing Version
V1.0

Page
8 of 10

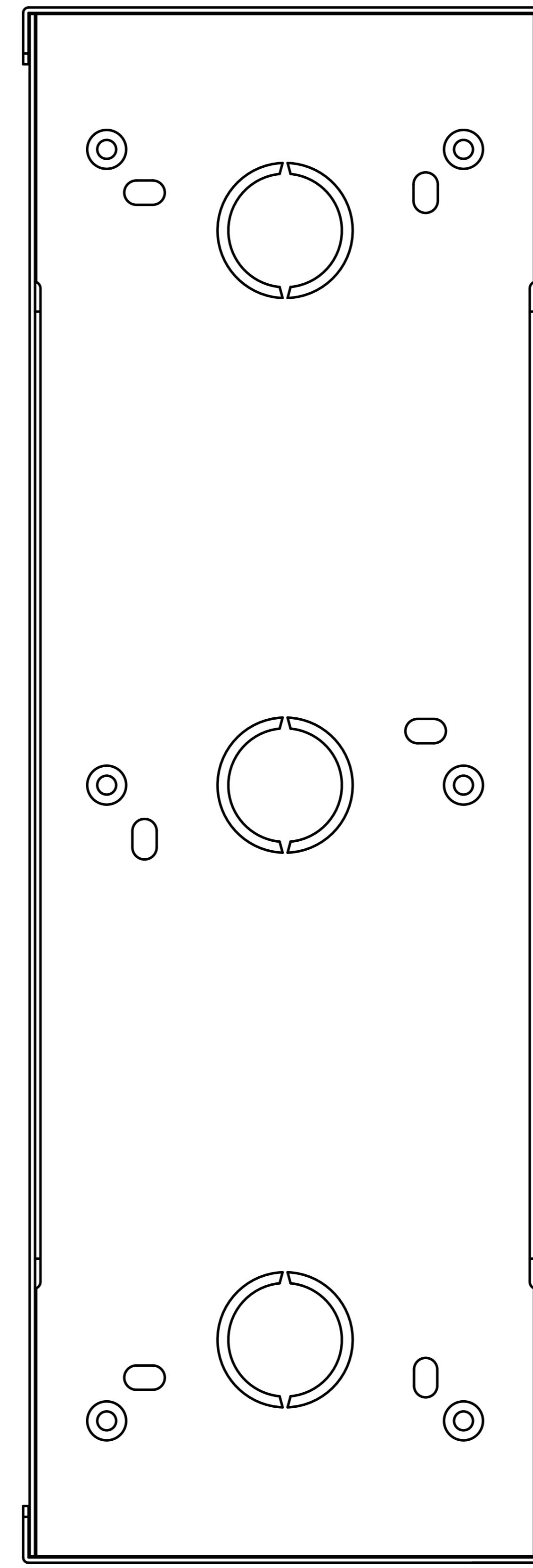


1245.5mm TO BOTTOM OF PANEL

1500mm TO CENTER OF CAMERA

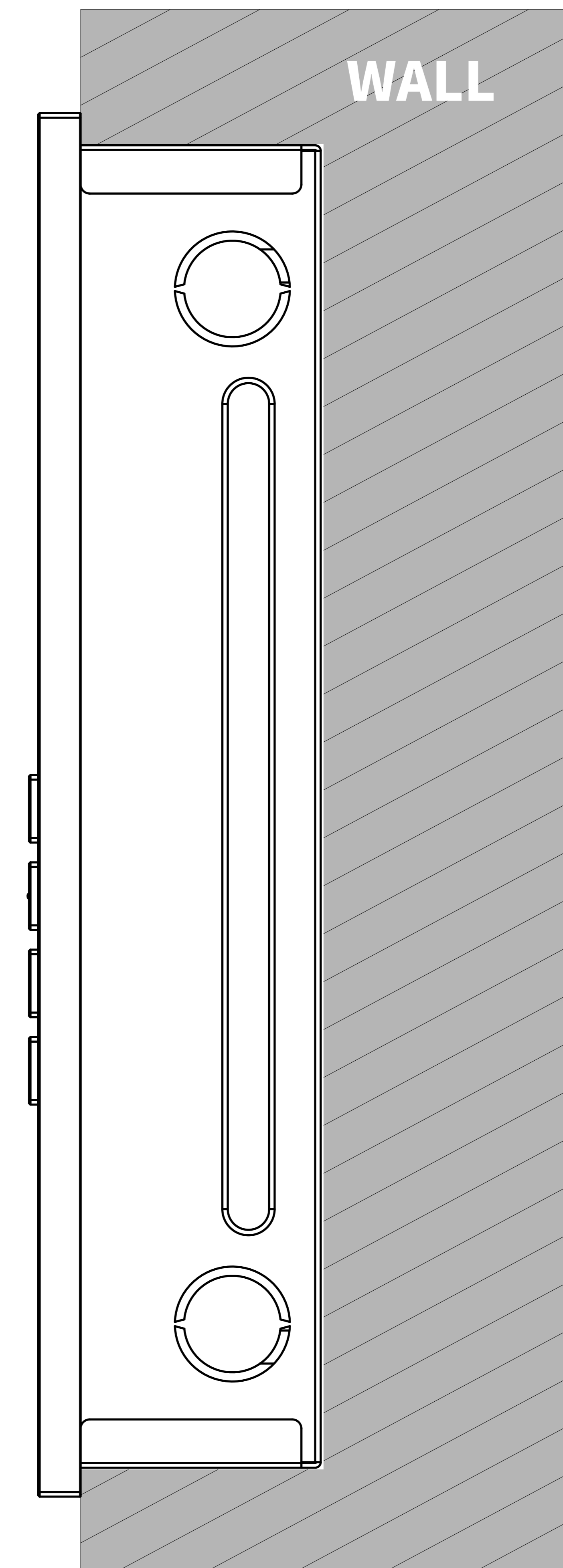
ADA Compliance Requirement

GROUND



1252mm TO BOTTOM OF BOX

GROUND



WALL

Applicable Model

S532

Drawing Title

In-Wall Mounting
Rain Cover

Drawing Unit

mm

Drawing Scale

Not to scale

**DRAFT
SUBJECT TO
CHANGE**

Last Revised

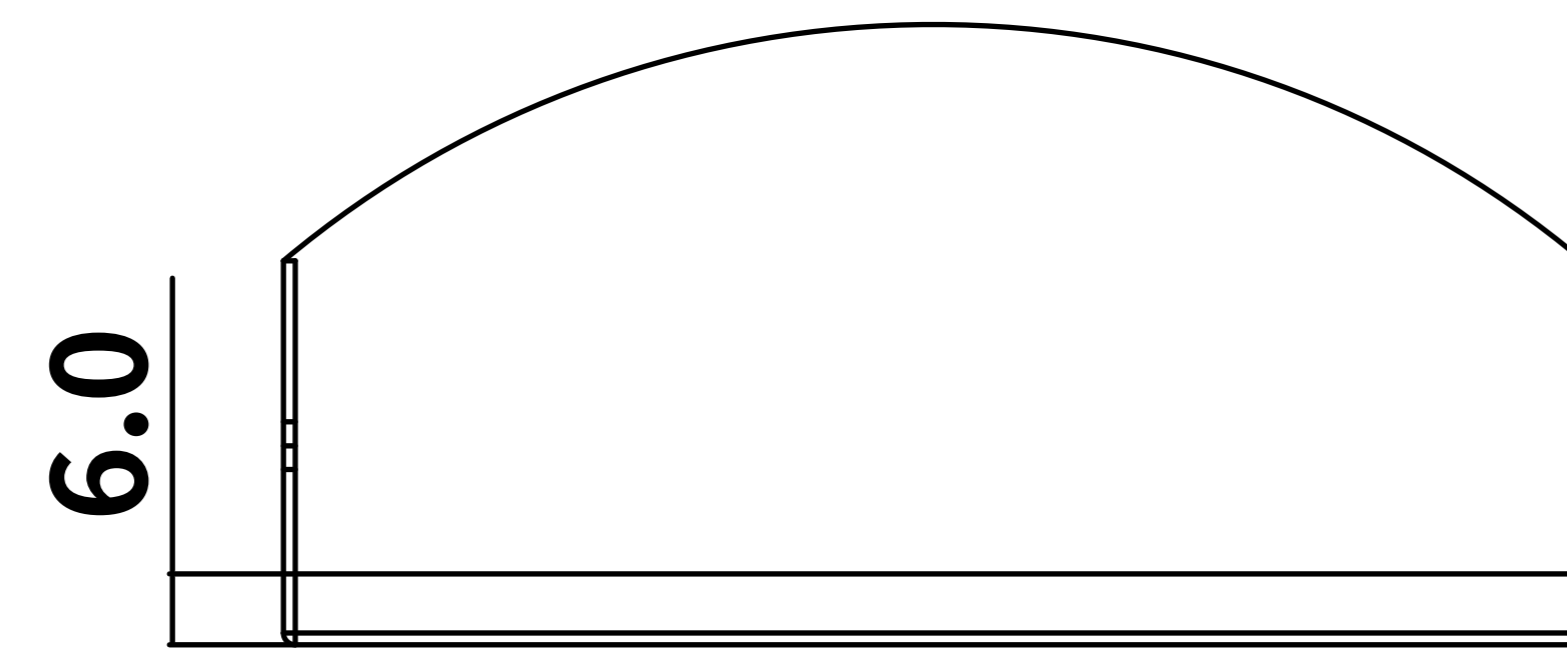
May 30, 2024

Drawing Version

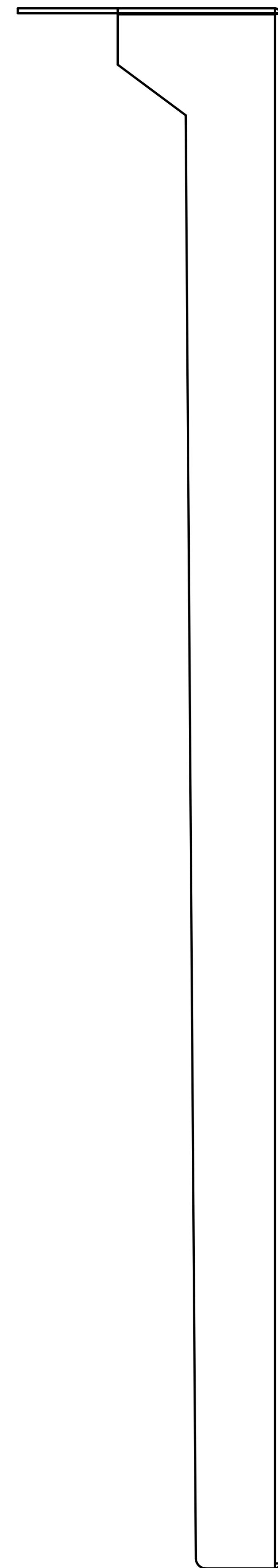
V1.0

Page

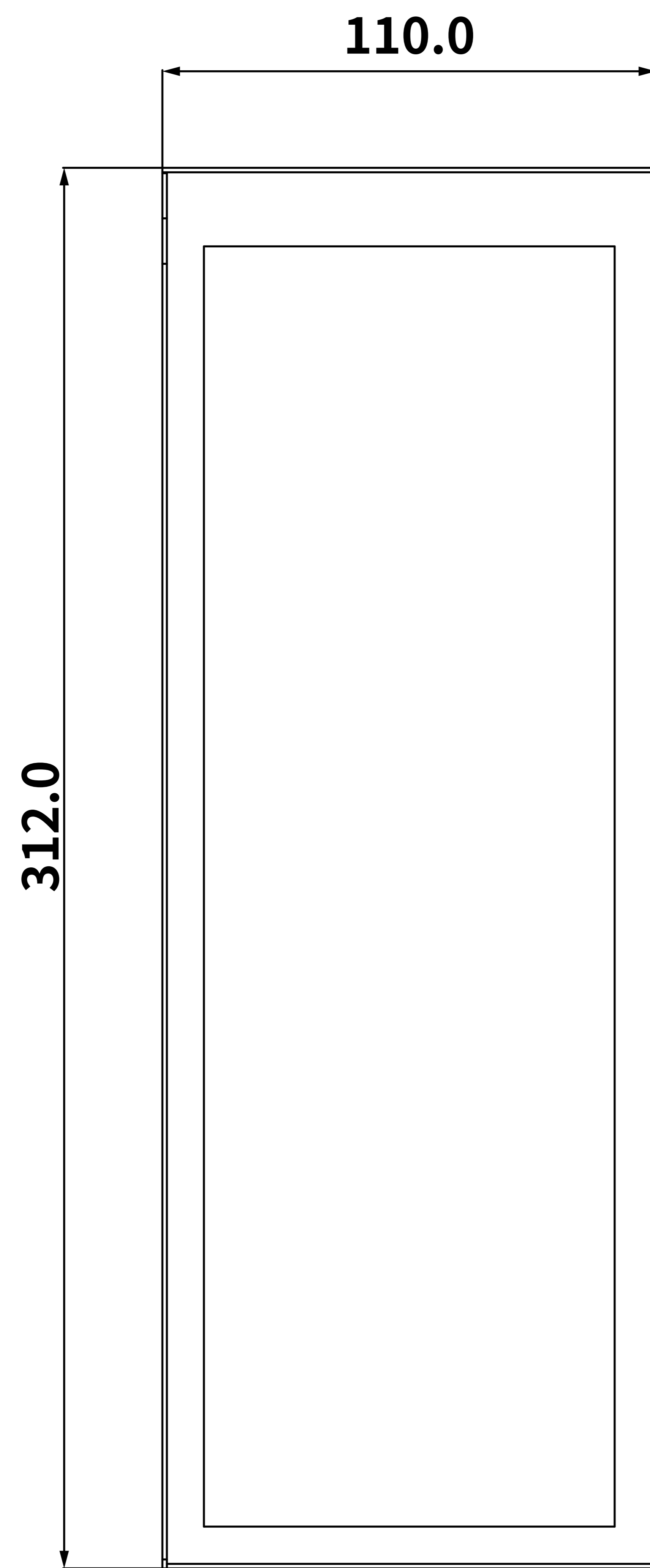
9 of 10



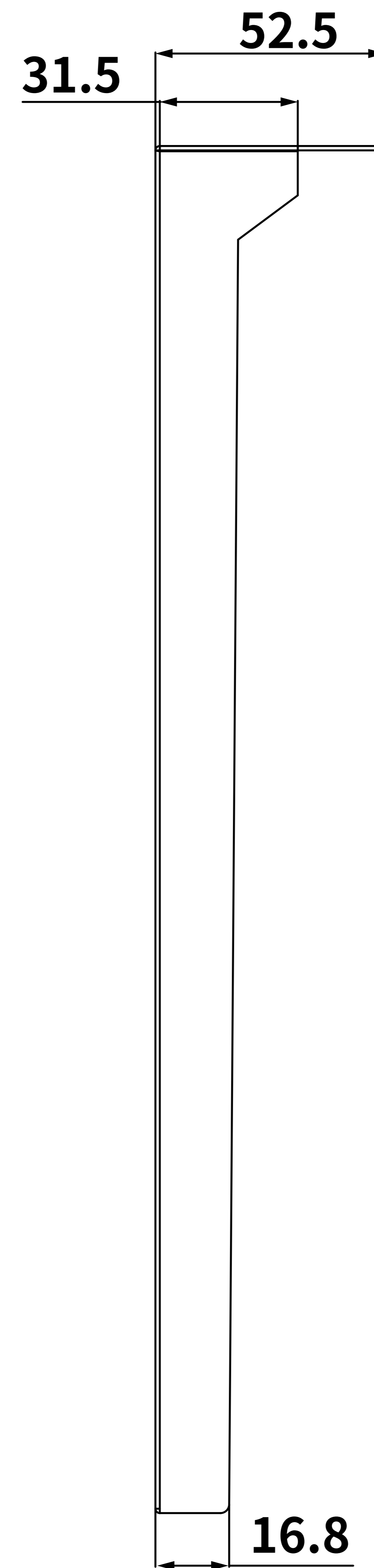
⑥ BOTTOM VIEW



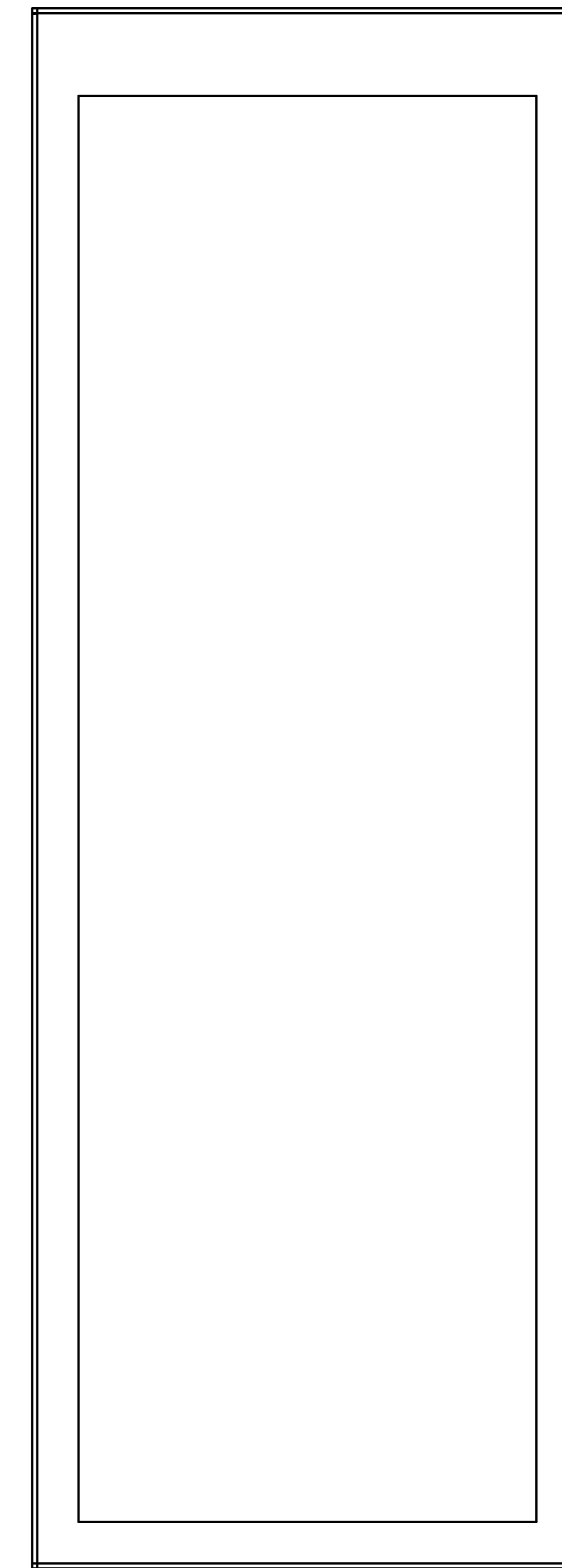
② RIGHT VIEW



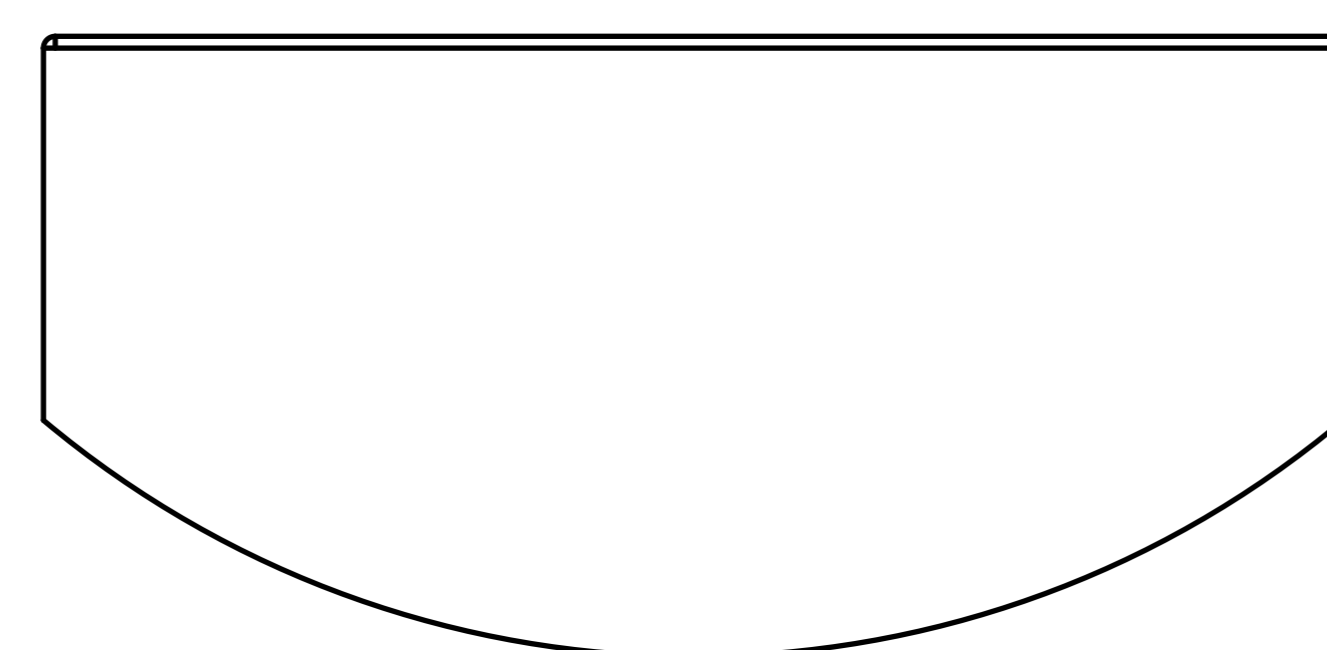
① FRONT VIEW



③ LEFT VIEW



④ BACK VIEW



⑤ TOP VIEW

